

**SCHEDA TECNICA**

Technical data sheet
Fiche technique
Technisches Datenblatt
Ficha técnica

08/01/20

ELECTRONIC HORN**RS: 2205028**

Dispositivo di segnalazione acustica.

Acoustic warning device.
Dispositif de signalisation acoustique.
Akustikmodul.
Zumbador.

| CUPOLA DOME DOME HAUBE CÚPULA | PC | | | | | | | | | | |
|---|--|-------|-------|--------|-------|--------|----------|----|----|-----|----|
| BASE BASE BASE SOCKET BASE | PC/ABS | | | | | | | | | | |
| GUARNIZIONE GASKET JOINT DICHTUNG JUNTA | O-Ring EPDM | | | | | | | | | | |
| COLORI DISPONIBILI AVAILABLE COLOURS COULEURS DISPONIBLES VERFÜGBARE FARBEN COLORES DISPONIBLES | | | | | | | | | | | |
| VOLTAGGIO VOLTAGE TENSION SPANNUNG TENSIÓN | 12Vdc – 24Vdc – 24Vac - 240Vac | | | | | | | | | | |
| SERVIZIO OPERATION FONCTIONNEMENT BETRIEBSART FUNCIONAMIENTO | T: ON = 1min. OFF = 10min. | | | | | | | | | | |
| CORRENTE NOMINALE CURRENT CONSUMPTION CONSOMMATION DE COURANT STROMAUFNAHME CONSUMO DE CORRIENTE | <table border="1"><thead><tr><th></th><th>12Vdc</th><th>24Vdc</th><th>24Vac</th><th>240Vac</th></tr></thead><tbody><tr><td>mA (Max)</td><td>55</td><td>40</td><td>140</td><td>35</td></tr></tbody></table> | | 12Vdc | 24Vdc | 24Vac | 240Vac | mA (Max) | 55 | 40 | 140 | 35 |
| | 12Vdc | 24Vdc | 24Vac | 240Vac | | | | | | | |
| mA (Max) | 55 | 40 | 140 | 35 | | | | | | | |
| RESA ACUSTICA ACOUSTIC OUTPUT RENDEMENT ACOUSTIQUE SCHALLLEISTUNGSPEGEL SALIDA ACUSTICA | <table border="1"><thead><tr><th></th><th>12Vdc</th><th>24Vdc</th><th>24Vac</th><th>240Vac</th></tr></thead><tbody><tr><td>dB(A)1m</td><td>91</td><td>96</td><td>93</td><td>95</td></tr></tbody></table> | | 12Vdc | 24Vdc | 24Vac | 240Vac | dB(A)1m | 91 | 96 | 93 | 95 |
| | 12Vdc | 24Vdc | 24Vac | 240Vac | | | | | | | |
| dB(A)1m | 91 | 96 | 93 | 95 | | | | | | | |
| GRADO IP IP RATING DEGRE IP SCHUTZART GRADO IP | IP43 | | | | | | | | | | |

Dati diffusi a solo scopo informativo. Sirena S.p.A. puo' modificare i dati in qualsiasi momento senza preavviso.
These data are disclosed only for information purposes. Sirena S.p.A. reserves the right to modify them at any time without prior notice.
Les données ne sont divulguées qu'à titre d'information. Sirena S.p.A. se réserve la faculté de les modifier à tout moment sans préavis

**SCHEDA TECNICA**

Technical data sheet
Fiche technique
Technisches Datenblatt
Ficha técnica

08/01/20

TEMPERATURA DI FUNZIONAMENTO

OPERATING TEMPERATURE
TEMPERATURE DE SERVICE
BETRIEBSTEMPERATUR
TEMPERATURA DE FUNCIONAMIENTO

-30°C+50°C

CERTIFICAZIONI, OMOLOGAZIONI

CERTIFICATIONS, APPROVALS
CERTIFICATIONS, HOMOLOGATIONS
PRODUKTZERTIFIKATE, ZULASSUNGEN
CERTIFICADOS, HOMOLOGACIONES

CE

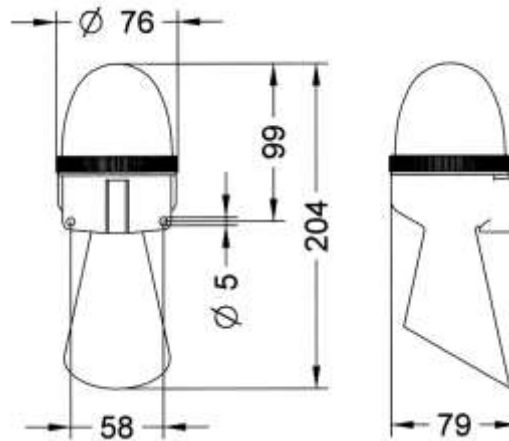
FISSAGGIO

MOUNTING
FIXATION
FIXIERUNG
FIJACIÓN

Viti
Screws
Vis
Schrauben
Tornillos

DISEGNO

TECHNICAL DRAWING
DESSIN
TECHNISCHE ZEICHNUNG
DIBUJO TECNICO



Dati diffusi a solo scopo informativo. Sirena S.p.A. puo' modificare i dati in qualsiasi momento senza preavviso.
These data are disclosed only for information purposes. Sirena S.p.A. reserves the right to modify them at any time without prior notice.
Les données ne sont divulguées qu'à titre d'information. Sirena S.p.A. se réserve la faculté de les modifier à tout moment sans préavis