



# Datasheet

## RS PRO Two-Part Enclosures

Stock number: 1920728

EN

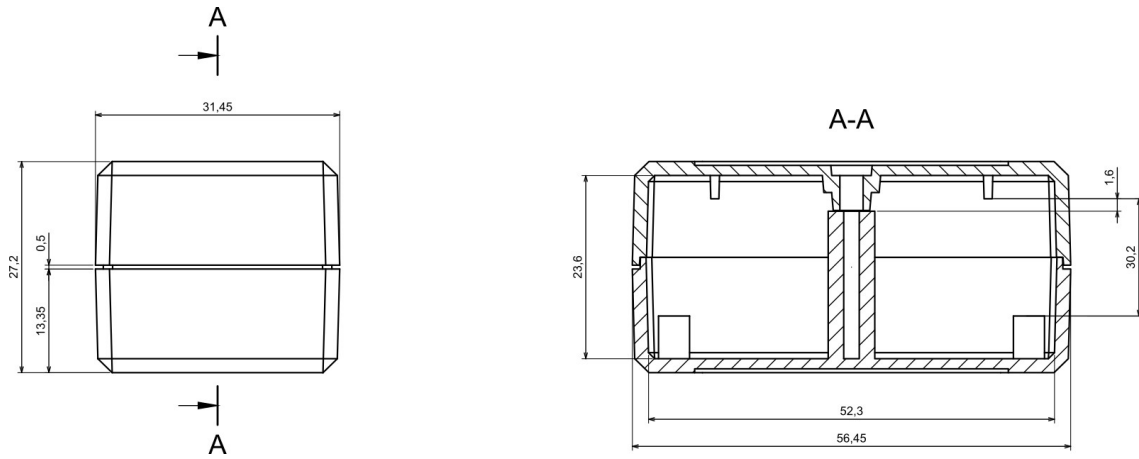


## Product Details

Two-part enclosure is made of black ABS. It is ideal for applications that doesn't require hermetic seal. PCB can be attached to base and cover of the enclosure.

## Features and Benefits

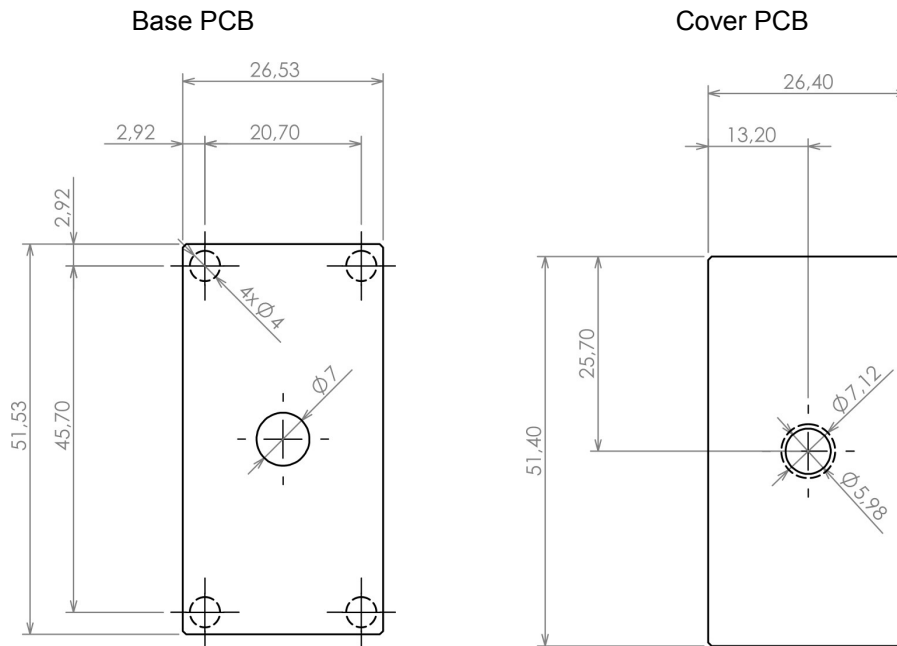
- Made of ABS
- Available in black color
- Ability to attach PCB to base and cover of the enclosure



Category	Two-part Enclosures
Type	Full
Material	ABS
Variant	Without gasket
Height	27.2 mm
Width	56.5 mm
Length	31.5 mm
Color	Black
Standards Met	RoHS Compliant
Accessories	Screw 2.5/12: 1.0 pcs
Certificate number	



## Max PCB size



Dashed line shows outline of the mounting boss under PCB board  
Recommended mounting holes diameter  $\varnothing$ 3,5mm  
All dimensions are given within +/-0,5mm tolerance