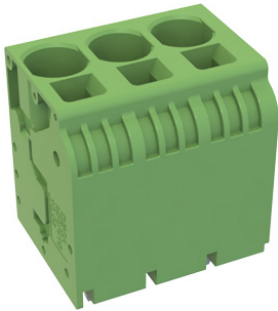


Push-In Spring Type PCB Terminal Blocks

multicomp PRO

**RoHS
Compliant**



Specifications

No. of Poles : 2 Pole ~ 9 Pole
 Pitch Spacing : 10mm
 Wire Connection Method : Push-In Spring
 Block Orientation : Through Hole Vertical
 PCB Hole Diameter : 1.7mm
 Colour : Green

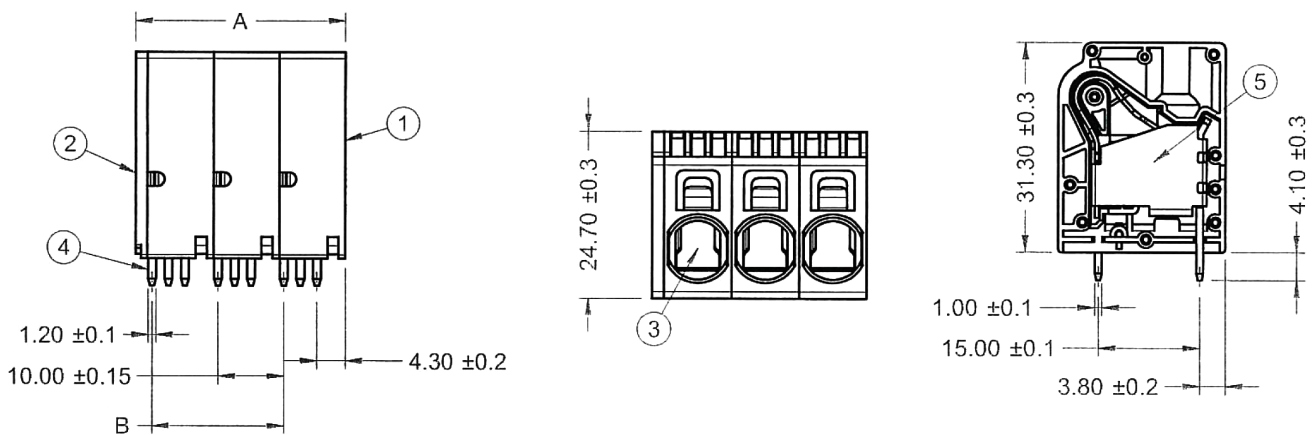
In accordance to UL/CUL

Current Rating : 66A @ AC 600V
 Insulation Withstand Voltage : AC 2200V Min.
 Insulation Resistance : >2000MΩ @ DC 500V
 Wire Range : 4 ~ 20AWG

In accordance to IEC/DIN VDE

Voltage Rating : 1000V AC
 Current Rating : 76A
 Rated Surge Voltage Max. : 8kV
 Over Voltage Category : III
 Nominal Cross Section : 0.75 ~ 16mm²
 Operating Temperature : -40°C to + 105°C
 Wire Strip Length : 18mm

Diagram



Dimensions : Millimetres

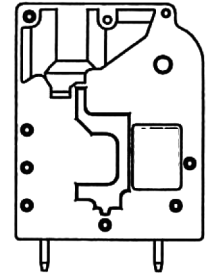
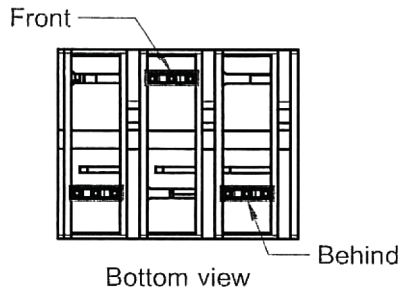
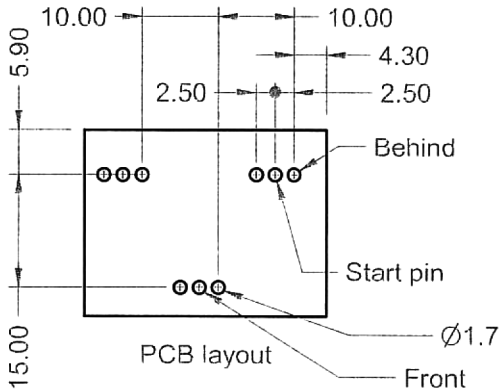
Material Specifications

| No. | Parameter | Description | Plating/Colour |
|-----|-----------------|-------------------------|----------------|
| 1 | Insulating Body | Polyamide 6.6 (UL94V-0) | Green |
| 2 | Side Cover | Polyamide 6.6 (UL94V-0) | Green |
| 3 | Spring | Stainless Steel | - |
| 4 | Contact | Copper | Tin |
| 5 | Metal Frame | Steel | Zinc |

Newark.com/multicomp-pro
 Farnell.com/multicomp-pro
 Element14.com/multicomp-pro

multicomp PRO

Push-In Spring Type PCB Terminal Blocks



Dimensions : Millimetres

Part Number Table

| Description | "A" (mm) | "B" (mm) | Part Number |
|-------------------------------------------------------------------------------|-------------|-------------|-------------|
| PCB Terminal Block, Push-In Spring, Tri-Pin, 2Pole, 10mm, 4-20AWG, THT, Green | 21.8 ±0.2 | 10 ±0.15 | MC004200 |
| PCB Terminal Block, Push-In Spring, Tri-Pin, 3Pole, 10mm, 4-20AWG, THT, Green | 31.8 ±0.2 | 20 ±0.2 | MC004201 |
| PCB Terminal Block, Push-In Spring, Tri-Pin, 4Pole, 10mm, 4-20AWG, THT, Green | 41.8 ±0.2 | 30 ±0.2 | MC004202 |
| PCB Terminal Block, Push-In Spring, Tri-Pin, 5Pole, 10mm, 4-20AWG, THT, Green | 51.8 ±0.25 | 40 ±0.2 | MC004203 |
| PCB Terminal Block, Push-In Spring, Tri-Pin, 6Pole, 10mm, 4-20AWG, THT, Green | 61.8 ±0.25 | 50 ±0.2 | MC004204 |
| PCB Terminal Block, Push-In Spring, Tri-Pin, 7Pole, 10mm, 4-20AWG, THT, Green | 71.8 ±0.25 | 60 ±0.25 | MC004205 |
| PCB Terminal Block, Push-In Spring, Tri-Pin, 8Pole, 10mm, 4-20AWG, THT, Green | 81.8 ±0.4 | 70 ±0.25 | MC004206 |
| PCB Terminal Block, Push-In Spring, Tri-Pin, 9Pole, 10mm, 4-20AWG, THT, Green | 91.8 ±0.4 | 80 ±0.25 | MC004207 |

Important Notice : This data sheet and its contents (the "Information") belong to the members of the AVNET group of companies (the "Group") or are licensed to it. No licence is granted for the use of it other than for information purposes in connection with the products to which it relates. No licence of any intellectual property rights is granted. The Information is subject to change without notice and replaces all data sheets previously supplied. The Information supplied is believed to be accurate but the Group assumes no responsibility for its accuracy or completeness, any error in or omission from it or for any use made of it. Users of this data sheet should check for themselves the Information and the suitability of the products for their purpose and not make any assumptions based on information included or omitted. Liability for loss or damage resulting from any reliance on the Information or use of it (including liability resulting from negligence or where the Group was aware of the possibility of such loss or damage arising) is excluded. This will not operate to limit or restrict the Group's liability for death or personal injury resulting from its negligence. Multicomp Pro is the registered trademark of Premier Farnell Limited 2019.

Newark.com/multicomp-pro
 Farnell.com/multicomp-pro
 Element14.com/multicomp-pro

