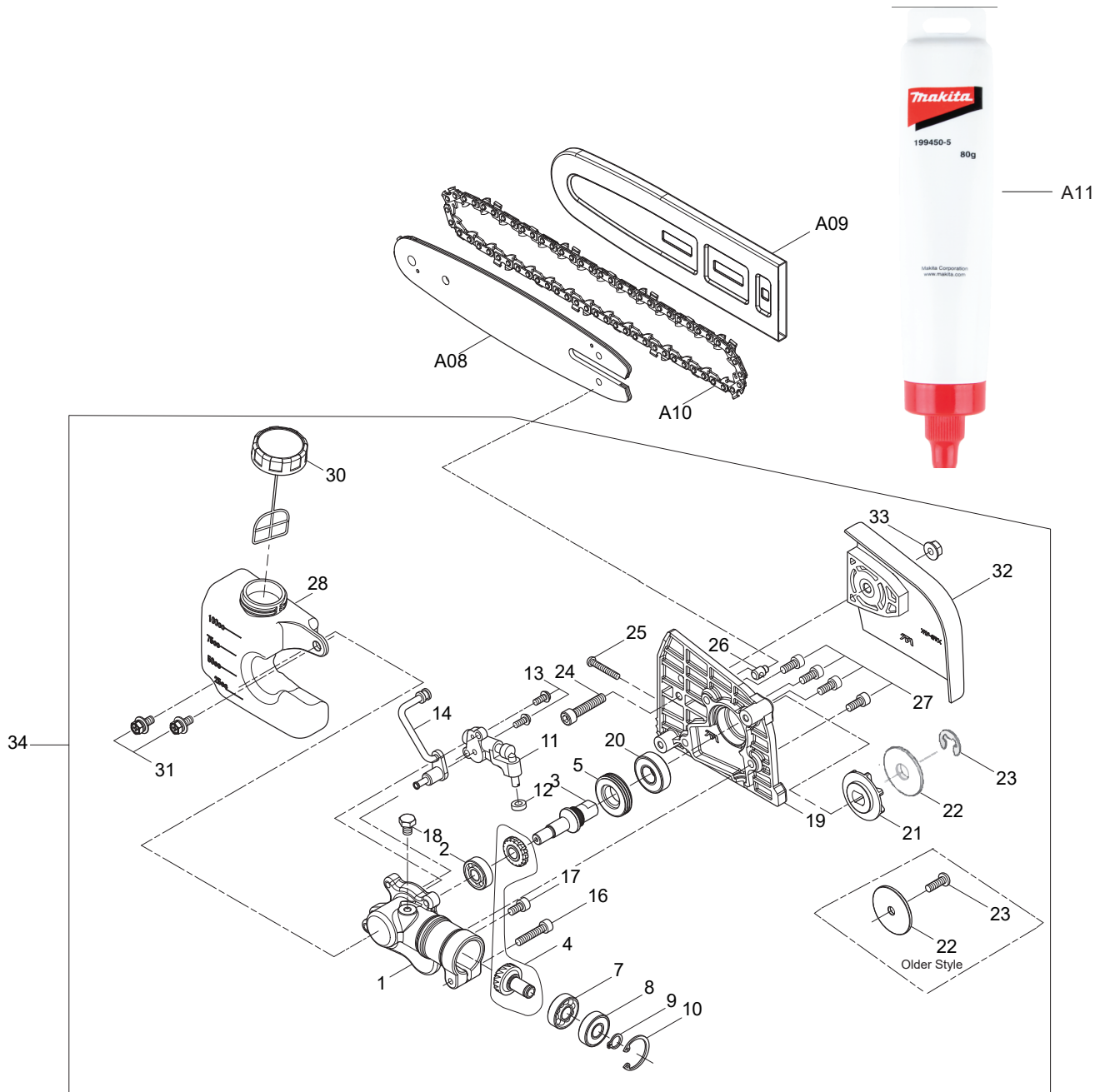




## **PARTS BREAKDOWN**

**EY2650H25H**

**ME-246.4**

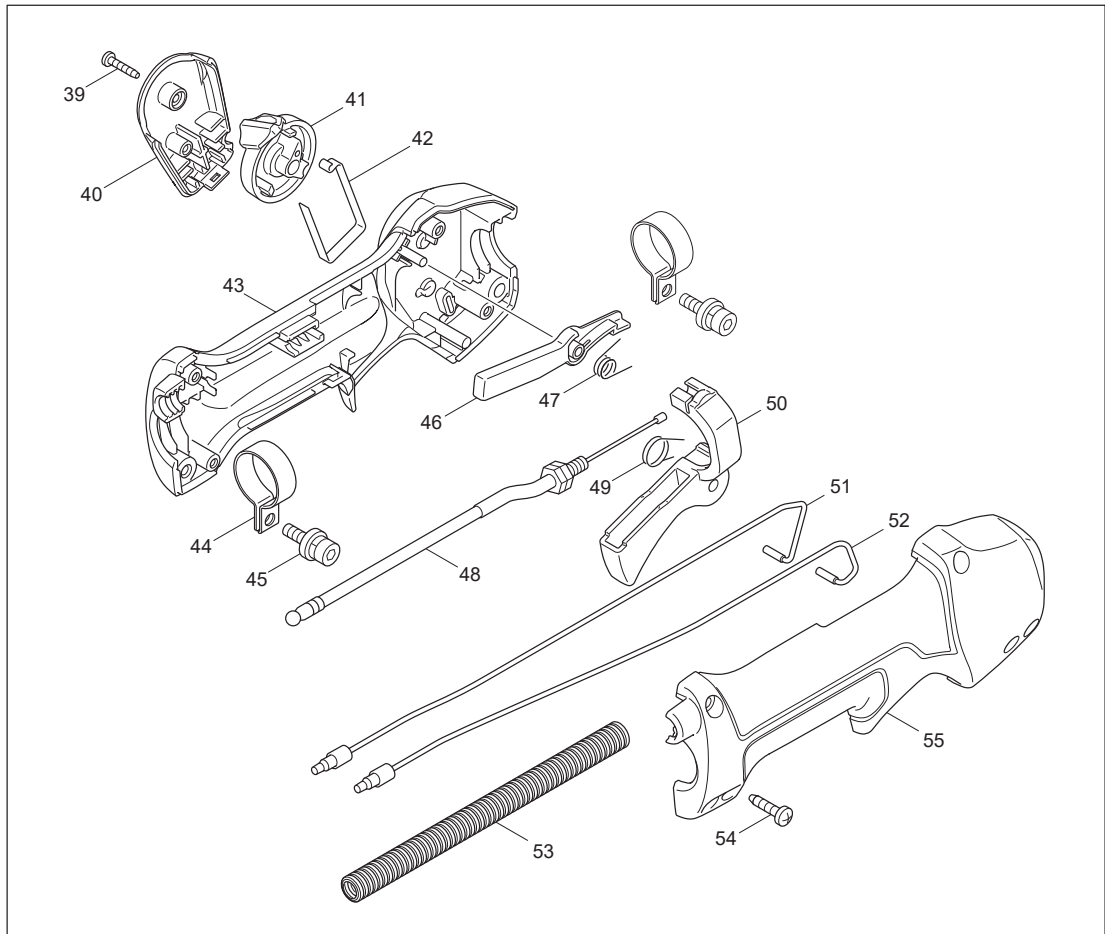
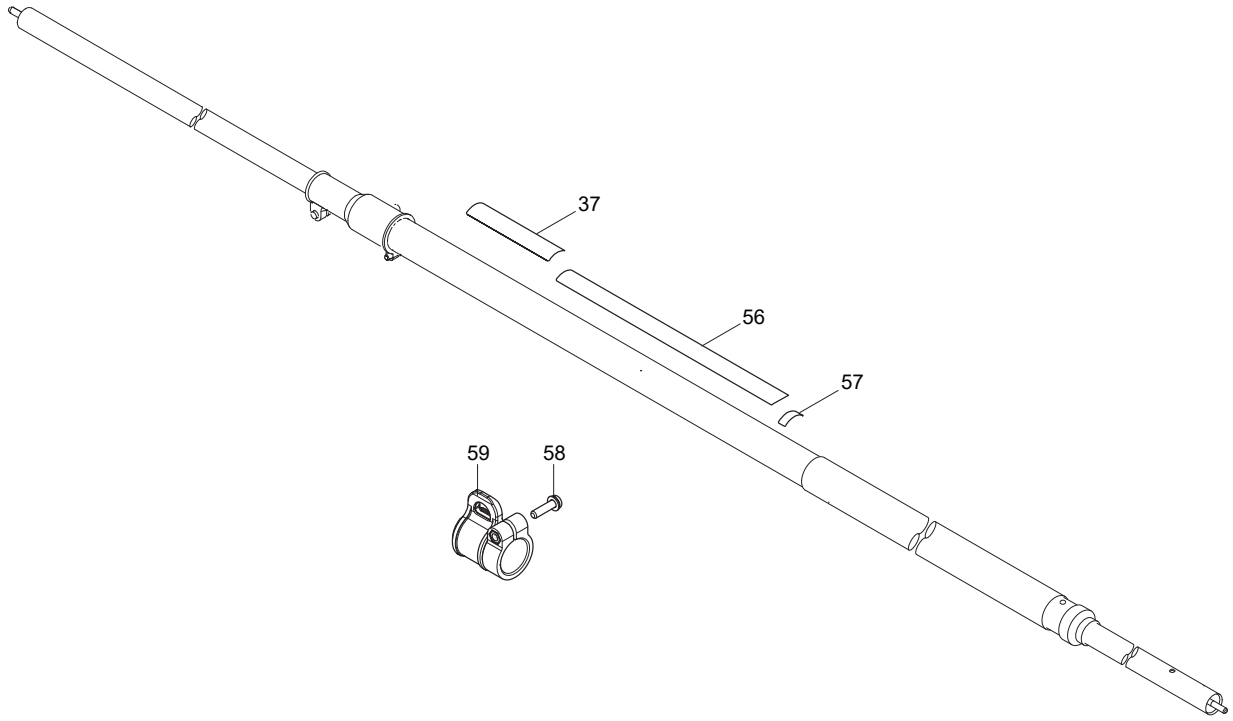


Products with multiple versions are listed in subsiding order with the newest version on top not indented.

Section	Fig. No.	Part No.	Description	EY2650H25H	ME246.4	Tech Bulletin	Notes
1	1	XTM0000001	GEAR CASE A	1	1		
1	2	XTM0000002	BALL BEARING 608	1	1		
1	3	XTM0000030	GEAR SHAFT	1	1	C6353	OCT 2018>
1	3	XTM0000024	GEAR SHAFT	1	1	C6353	>SEP 2018
1	4	XTM0000028	BEVEL GEAR SET	1	1		
1	5	XTM0000005	WORM WHEEL	1	1		
1	7	XTM0000006	BALL BEARING 609	1	1		
1	8	XTM0000007	BALL BEARING 609Z	1	1		
1	9	961005-4	RETAINING RING S-9	1	1		
1	10	962103-7	RETAINING RING R-24	1	1		
1	11	XTM0000025	OIL PUMP	1	1		
1	11	XTM0000008	OIL PUMP	1	1		
1	12	XTM0000009	SEAL	1	1		
1	13	911111-5	PAN HEAD SCREW M4X10	2	2		
1	14	XTM0000010	OIL PIPE ASS'Y	1	1		
1	16	922242-5	HEX. SOCKET HEAD BOLT M5X25	1	1		
1	16	912316-0	HEX. SOCKET HEAD BOLT M5X25	1	1		
1	17	922207-7	HEX. SOCKET HEAD BOLT M5X10	1	1		
1	18	XTM0000011	HB BOLT 6X8	1	1		
1	19	XTM0000027	GEAR CASE B	1	1		
1	19	XTM0000012	GEAR CASE B	1	1		
1	20	XTM0000013	BALL BEARING 6001DDW	1	1		
1	21	XTM0000014	SPROCKET	1	1		
1	22	XTM0000031	SPROCKET WASHER	1	1	C6353	OCT 2018>
1	22	XTM0000015	SPROCKET WASHER	1	1	C6353	>SEP 2018
1	23	XTM0000032	E RING	1	1	C6353	OCT 2018>
1	23	XTM0000016	H.S. BOTTON HEAD SCREW M6X15	1	1	C6353	>SEP 2018
1	24	922352-8	HEX. SOCKET HEAD BOLT M6X30	1	1		
1	25	XTM0000017	ADJUSTER SCREW M4X25	1	1		
1	26	XTM0000018	ADJUSTER	1	1		
1	26	601-30891-00	ADJUSTER	1	1		
1	27	922212-4	HEX. SOCKET HEAD BOLT M5X12	4	4		
1	28	XTM0000019	OIL TANK ASS'Y	1	1		
1	30	XTM0000020	TANK CAP ASS'Y	1	1		
1	31	XTM0000021	H.S.H.BOLT M5X12SW	2	2		

**Products with multiple versions are listed in subsiding order with the newest version on top not indented.**

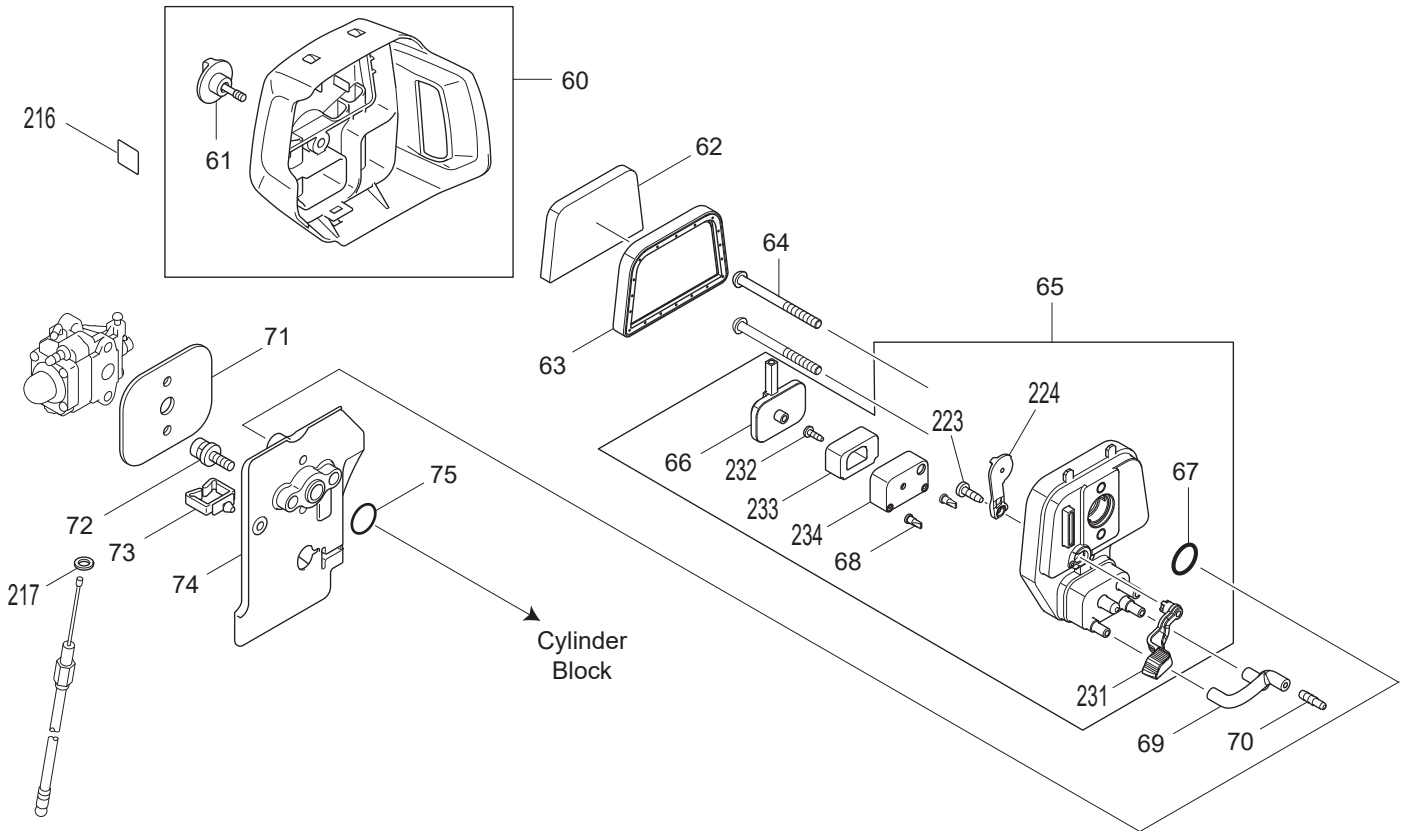
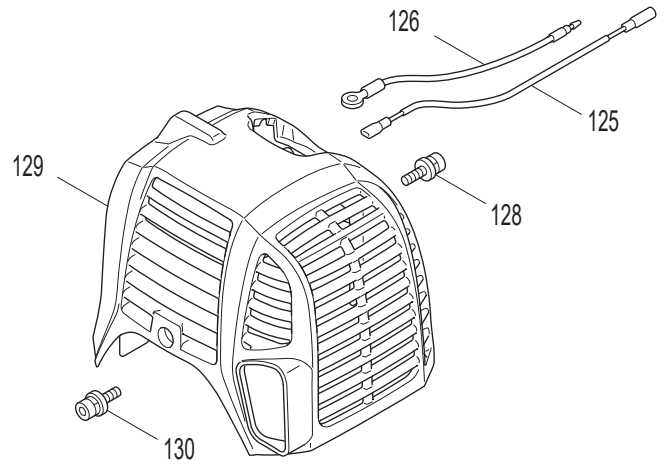
Section	Fig. No.	Part No.	Description	EY2650H25H	ME246.4	Tech Bulletin	Notes
1	32	XTM0000022	CHAIN COVER	1	1		
1	33	601-30891-50	FLANGE NUT M6	1	1		
1	34	127300-4	POLE SAW HEAD COMPLETE	1	1		
1	34	123366-2	POLE SAW HEAD COMPLETE	1	1		
1	34	143197-3	POLE SAW HEAD COMPLETE	1	1		
1	34	142615-8	POLE SAW HEAD COMPLETE	1	1		
1	A08	E-00050	10" GUIDE BAR	1			Makita
1	A08	165695-7	10" GUIDE BAR	1			Makita
1	A08	165700-0	10" GUIDE BAR		1		Dolmar
1	A09	452093-7	CHAIN PROTECTOR 10"	1			Makita
1	A09	196725-3	CHAIN PROTECTOR 10"		1		Dolmar/No Longer Available
1	A10	E-00212	10" SAW CHAIN	1	1		
1	A10	196142-7	10" SAW CHAIN	1	1		
1	A11	199450-5	GEAR GREASE	1	1		



38

Products with multiple versions are listed in subsiding order with the newest version on top not indented.

Section	Fig. No.	Part No.	Description	EY2650H25H	ME246.4	Tech Bulletin	Notes
2	38	125776-9	CONTROL LEVER ASSEMBLY	1	1		
2	39	266130-9	TAPPING SCREW BIND PT 3X16	1	1		
2	40	451595-0	SWITCH COVER	1	1		
2	41	451594-2	SWITCH LEVER	1	1		
2	42	232251-9	LEAF SPRING	1	1		
2	43	188832-6	LEVER CASE SET	1	1		
2	44	346248-3	CLAMP 24	2	2		
2	45	922218-2	H.S.H.BOLT M5X14 WITH WR	2	2		
2	46	451593-4	LOCK LEVER	1	1		
2	47	233541-3	TORSION SPRING 7	1	1		
2	48	168571-4	CONTROL CABLE	1	1		
2	49	233540-5	TORSION SPRING 11	1	1		
2	50	455313-8	THROTTLE LEVER	1	1		
2	50	451592-6	THROTTLE LEVER	1	1		
2	51	638714-7	LEAD UNIT	1	1		
2	52	638713-9	LEAD UNIT	1	1		
2	53	452071-7	CORRUGATE TUBE	1	1		
2	54	266326-2	TAPPING SCREW 4X18	4	4		
2	55	188832-6	LEVER CASE SET	1	1		
2	58	911233-1	PAN HEAD SCREW M5X20	1	1		
2	59	195143-2	HANGER SET	1	1		

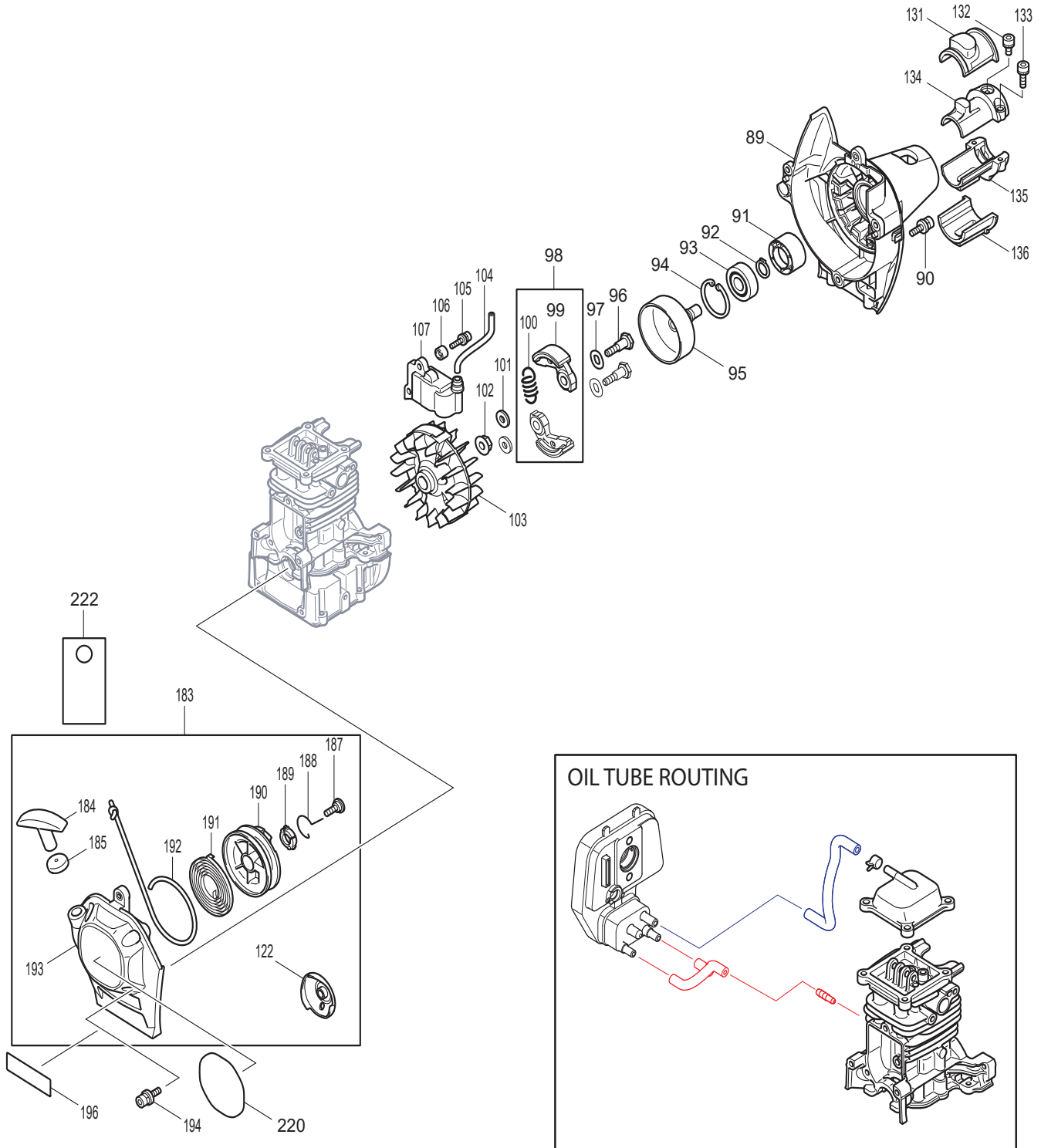


Cylinder Block

Products with multiple versions are listed in subsiding order with the newest version on top not indented.

Section	Fig. No.	Part No.	Description	EY2650H25H	ME246.4	Tech Bulletin	Notes
3	60	123499-3	CLEANER COVER ASSEMBLY	1	1	B1277	
3	60	126202-1	CLEANER COVER ASSEMBLY	1	1		
3	61	265791-2	THUMB SCREW M4	1	1		
3	62	443171-4	AIR CLEANER ELEMENT	1	1		
3	63	443169-1	AIR CLEANER ELEMENT	1	1		
3	64	266618-9	H.S.BUTTON HEAD BOLT M5X60	2	2		
3	65	123501-2	CLEANER PLATE ASSEMBLY	1	1	B1277	
3	65	126198-6	CLEANER PLATE ASSEMBLY	1	1		
3	66	162346-3	SEPARATOR PLATE	1	1		
3	67	213540-1	O RING 15	1	1		
3	68	424316-3	CHECK VALVE	2	2		
3	69	422099-9	PIPE	1	1		
3	70	325665-0	JOINT PIPE	1	1		
3	71	442153-3	CARBURETOR GASKET	1	1		
3	72	266787-6	H.S.H.BOLT M5X18 WITH WR	2	2		
3	73	451825-9	CLAMP	1	1		
3	74	451729-5	INSULATOR	1	1		
3	75	213547-7	O-RING 12	1	1		
3	125	638707-4	LEAD UNIT	1	1		
3	126	638708-2	LEAD UNIT	1	1		
3	128	922218-2	H.S.H.BOLT M5X14 WITH WR	1	1		
3	129	453266-5	MAKITA CYLINDER COVER	1			Makita
3	130	922218-2	H.S.H.BOLT M5X14 WITH WR	1	1		
3	216	800F73-7	INDICATION LABEL	1	1		
3	217	941151-9	FLAT WASHER 6	1	1		
3	223	266427-6	TAPPING SCREW 4X12	1	1		
3	224	452219-1	CHOKE PLATE	1	1		
3	231	452220-6	CHOKE LEVER	1	1		
3	232	266007-8	TAPPING SCREW BIND PT 3X10	1	1		
3	233	352020-3	SEPARATOR MESH	1	1		
3	234	453865-3	SEPARATOR CASE	1	1		



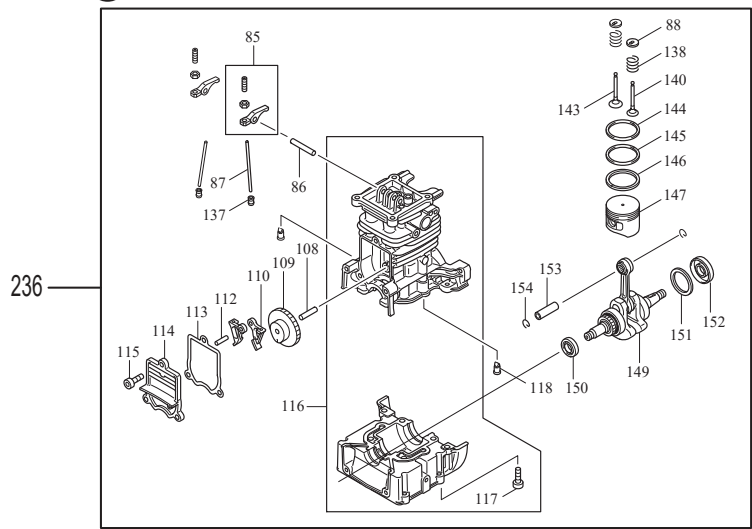
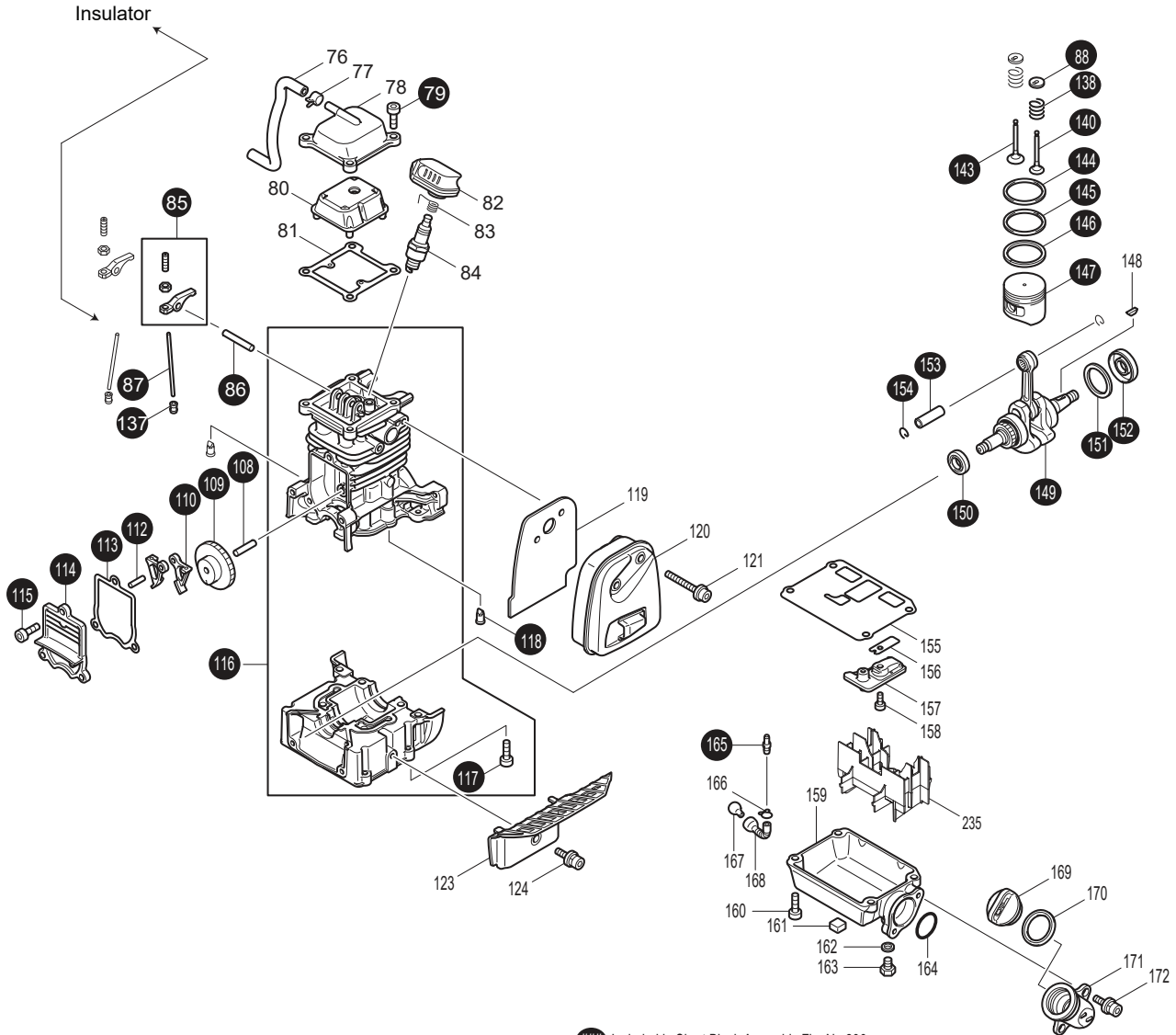


Products with multiple versions are listed in subsiding order with the newest version on top not indented.

Section	Fig. No.	Part No.	Description	EY2650H25H	ME246.4	Tech Bulletin	Notes
4	89	451735-0	CLUTCH CASE	1	1		
4	90	922228-9	H.S.H.BOLT M5X18 WITH WR	3	3		
4	91	450569-8	SPACER	1	1		
4	92	961052-5	RETAINING RING S-12	1	1		
4	93	211129-9	BALL BEARING 6201DDW	1	1		
4	93	210111-5	BALL BEARING 6201LLU	1	1		
4	94	962151-6	RETAINING RING R-32	1	1		
4	95	161588-6	CLUTCH DRUM	1	1		
4	95	168809-7	CLUTCH DRUM	1	1		
4	95	168609-5	CLUTCH DRUM	1	1		
4	96	266864-4	SHOULDER HEX. BOLT M6X25	2	2		
4	97	267817-6	WASHER 8	2	2		
4	98	126135-0	CLUTCH ASSEMBLY	1	1		
4	98	125518-1	CLUTCH ASSEMBLY	1	1		
4	99	168498-8	CLUTCH SHOE	2	2		
4	100	231881-3	TENSION SPRING 6	1	1		
4	100	231858-8	TENSION SPRING 6	1	1		
4	101	267812-6	WASHER 6	2	2		
4	102	264039-9	CONED DISK SPRING HEXNUT M8-13	1	1		
4	103	318569-3	FLYWHEEL	1	1		
4	104	444021-6	TUBE	1	1		
4	105	266602-4	HEX. SOCKET HEAD BOLT M4X20	2	2		
4	106	452049-0	SPACER	2	2		
4	107	168559-4	IGNITION COIL	1	1		
4	122	168483-1	PULLEY	1	1		
4	131	424082-2	BUFFER RUBBER	1	1		
4	132	922211-6	HEX. SOCKET HEAD BOLT M5X12	1	1		
4	133	922226-3	HEX. SOCKET HEAD BOLT M5X18	2	2		
4	134	318249-1	PIPE HOLDER	1	1		
4	135	318250-6	PIPE HOLDER	1	1		
4	136	424083-0	BUFFER RUBBER	1	1		
4	183	195308-6	RECOIL STARTER SET	1	1		
4	184	424319-7	STARTER KNOB	1	1		
4	185	424359-5	DAMPER	1	1		

**Products with multiple versions are listed in subsiding order with the newest version on top not indented.**

Section	Fig. No.	Part No.	Description	EY2650H25H	ME246.4	Tech Bulletin	Notes
4	187	266585-8	TAPPING SCREW 5X12	1	1		
4	188	325923-4	SWING ARM	1	1		
4	189	451938-6	COLLAR	1	1		
4	190	451937-8	REEL	1	1		
4	191	232258-5	SPIRAL SPRING	1	1		
4	192	444023-2	STARTER ROPE	1	1		
4	193	451733-4	STARTER CASE	1	1		
4	194	922223-9	H.S.H.BOLT M5X16 WITH WR	4	4		
4	222	819432-8	CAUTION TAG	1	1		



Products with multiple versions are listed in subsiding order with the newest version on top not indented.

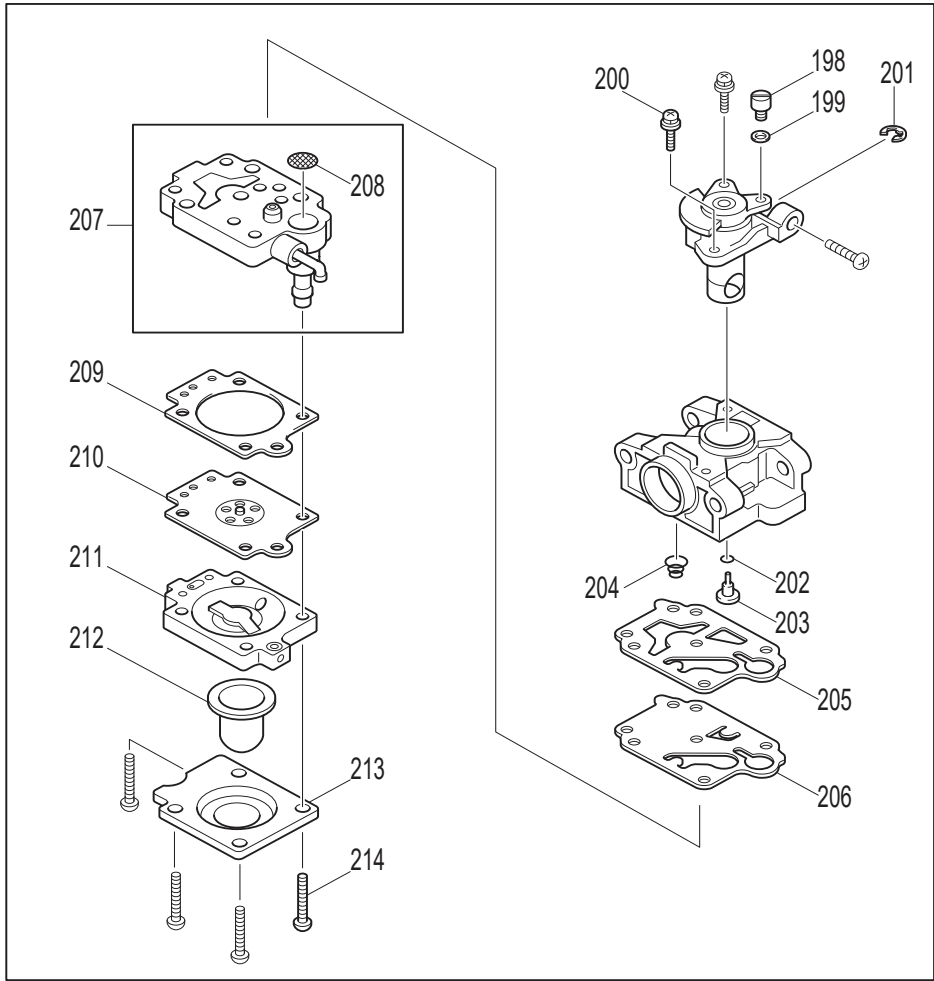
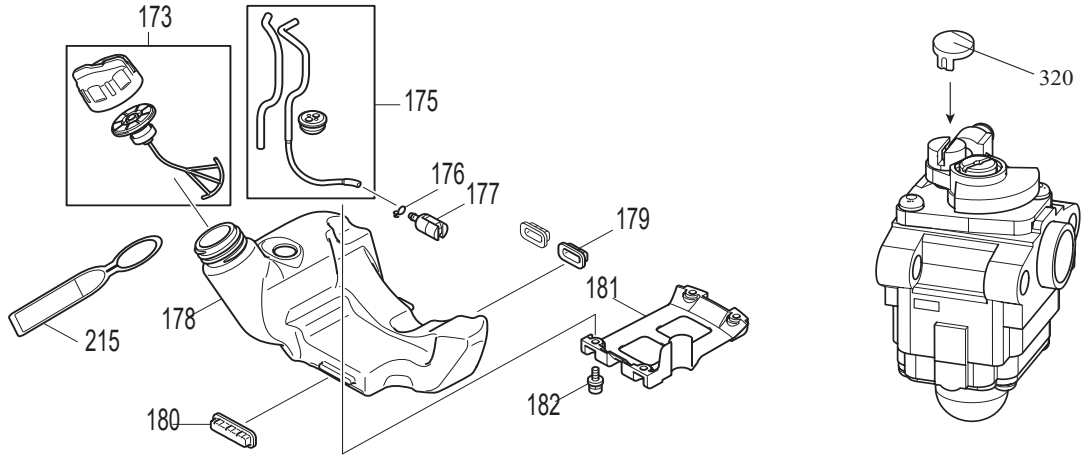
Section	Fig. No.	Part No.	Description	EY2650H25H	ME246.4	Tech Bulletin	Notes
5	76	422109-2	BREATHER PIPE	1	1		
5	77	345918-1	HOSE CLAMP	1	1		
5	78	318745-9	ROCKER COVER OUTER	1	1		
5	79	922222-1	HEX. SOCKET HEAD BOLT M5X16	4	4		
5	80	453860-3	ROCKER COVER INNER	1	1		
5	80	452795-5	ROCKER COVER INNER	1	1		
5	81	162304-9	ROCKER COVER GASKET	1	1		
5	82	424302-4	PLUG CAP	1	1		
5	83	324891-8	PLUG CAP SPRING	1	1		
5	84	168534-0	SPARK PLUG	1	1		NGK CMR4A .030
5	85	125554-7	ROCKER ARM ASSEMBLY	2	2		
5	86	256200-2	PIN 5	1	1		
5	87	256865-0	ROD 2.5	2	2		
5	88	325668-4	SPRING RETAINER	2	2		
5	108	268238-5	PIN 5	1	1		
5	109	125552-1	CAM GEAR ASSEMBLY	1	1		
5	110	313169-4	CAM LIFTER	2	2		
5	112	268239-3	PIN 4	1	1		
5	113	162274-2	CAM GEAR COVER GASKET	1	1		
5	114	318443-5	CAM GEAR COVER	1	1		
5	115	922222-1	HEX. SOCKET HEAD BOLT M5X16	3	3		
5	116	135478-9	CYLINDER BLOCK ASSEMBLY	1	1		
5	117	922222-1	HEX. SOCKET HEAD BOLT M5X16	6	6		
5	118	424201-0	CHECK VALVE	2	2		
5	119	346331-6	MUFFLER GASKET	1	1		
5	120	168554-4	EXHAUST MUFFLER	1	1		
5	121	266440-4	HEX SOCKET HEAD BOLT M5X40	2	2		
5	123	451731-8	MUFFLER PLATE	1	1		
5	124	922218-2	H.S.H.BOLT M5X14 WITH WR	1	1		
5	137	424200-2	SPACER	2	2		
5	138	234108-0	COMPRESSION SPRING 9	2	2		
5	140	325669-2	EXHAUST VALVE	1	1		
5	143	326367-1	INTAKE VALVE	1	1		
5	143	325670-7	INTAKE VALVE	1	1		

Products with multiple versions are listed in subsiding order with the newest version on top not indented.

Section	Fig. No.	Part No.	Description	EY2650H25H	ME246.4	Tech Bulletin	Notes
5	144	195145-8	PISTON RING SET	1	1		
5	147	318441-9	PISTON	1	1		
5	148	254040-2	WOODRUFF KEY 3	1	1		
5	149	126359-8	CRANK SHAFT ASSEMBLY	1	1		
5	150	213769-9	OIL SEAL 10	1	1		
5	150	213148-1	OIL SEAL 10	1	1		
5	151	267400-9	FLAT WASHER 23	1	1		
5	152	213089-1	OIL SEAL 12	1	1		
5	152	213147-3	OIL SEAL 12	1	1		
5	153	257781-9	PISTON PIN	1	1		
5	154	233976-8	CLIP	2	2		
5	155	162345-5	OIL CASE GASKET	1	1		
5	155	162323-5	OIL CASE GASKET	1	1		
5	156	346083-9	LEAD VALVE	1	1		
5	157	318910-0	RETAINER PLATE	1	1		
5	157	318590-2	RETAINER PLATE	1	1		
5	158	922112-8	HEX. SOCKET HEAD BOLT M4X10	1	1		
5	159	318588-9	OIL CASE	1	1		
5	160	922222-1	HEX. SOCKET HEAD BOLT M5X16	4	4		
5	161	424344-8	DAMPER	1	1		
5	162	346305-7	GASKET	1	1		
5	163	266611-3	HEX BOLT M6X8	1	1		
5	164	213548-5	O-RING 20	1	1		
5	165	325665-0	JOINT PIPE	1	1		
5	166	282020-8	HOSE CLAMP	1	1		
5	167	325666-8	OIL WEIGHT	1	1		
5	168	424301-6	OIL TUBE	1	1		
5	169	452047-4	OIL CAP	1	1		
5	170	424343-0	GASKET	1	1		
5	171	452048-2	OIL PIPE	1	1		
5	172	922218-2	H.S.H.BOLT M5X14 WITH WR	2	2		
5	235	453862-9	OIL CASE PLATE	1	1		
5	236	135668-4	SHORT BLOCK ASS'Y 25.4CC	1	1		
5	236	135599-7	SHORT BLOCK ASS'Y 25.4CC	1	1		

MAINTENANCE KIT

A10

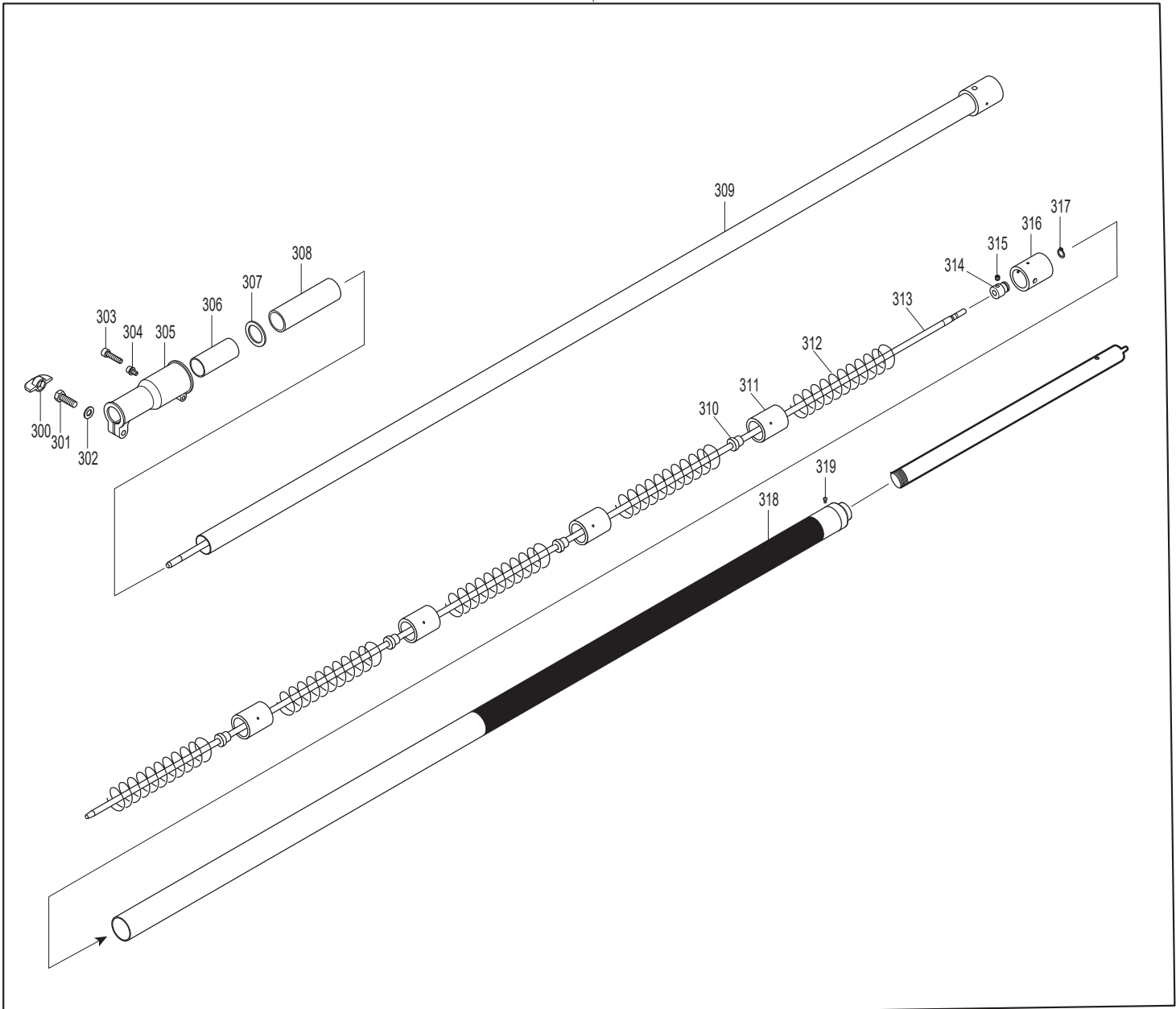


Products with multiple versions are listed in subsiding order with the newest version on top not indented.

Section	Fig. No.	Part No.	Description	EY2650H25H	ME246.4	Tech Bulletin	Notes
6	173	125728-0	FUEL TANK CAP ASSEMBLY	1	1		
6	175	168775-8	TUBE COMPLETE	1	1		
6	176	282020-8	HOSE CLAMP	1	1		
6	177	163518-3	GASOLINE FILTER	1	1		
6	178	123419-7	FUEL TANK	1	1		
6	178	454010-3	FUEL TANK	1	1		
6	179	424080-6	BUFFER RUBBER	2	2		
6	180	424081-4	BUFFER RUBBER	1	1		
6	181	451737-6	TANK GUARD	1	1		
6	182	922218-2	H.S.H.BOLT M5X14 WITH WR	4	4		
6	197	168762-7	CARBURETOR	1	1		
6	198	325922-6	SWIVEL	1	1		
6	199	413140-9	WASHER	1	1		
6	200	266581-6	PAN HEAD SCREW M3X8 WITH W	2	2		
6	201	257964-1	STOP RING E-3	1	1		
6	202	213538-8	O RING 2	1	1		
6	203	325985-2	JET	1	1		
6	204	234183-6	CONICAL COMPRESSION SPRING 5-9	1	1		
6	205	442155-9	PUMP GASKET	1	1		
6	206	WJ00009599	PUMP DIAPHRAGM	1	1		
6	206	168575-6	PUMP DIAPHRAGM	1	1		
6	207	141737-1	PUMP BODY	1	1		
6	208	352021-1	INLET SCREEN	1	1		
6	209	442154-1	METERING DIAPHRAGM GASKET	1	1		
6	210	168620-7	METERING DIAPHRAGM	1	1		
6	211	140438-8	AIR PURGE BODY	1	1		
6	212	424314-7	PRIMER PUMP	1	1		
6	213	346270-0	PRIMER PUMP COVER	1	1		
6	214	266582-4	TAPPING SCREW 3X24	4	4		
6	215	810455-9	CAUTION PLATE	1	1		
6	320	286284-6	CAP	1	1		
6	320	525-95003-00	CAP	1	1		
6	A10	197680-2	MAINTENANCE KIT	1			Contains - Spark Plug, Fuel Filter, Air Filters



321



Products with multiple versions are listed in subsiding order with the newest version on top not indented.

Section	Fig. No.	Part No.	Description	EY2650H25H	ME246.4	Tech Bulletin	Notes
7	300	TF6116068B	KNOB	1	1		
7	301	TF119F0840	HEX.BOLT	1	1		
7	302	TF411M0800	FLAT WASHER	1	1		
7	303	TF120S0625	HEX.SOCKET HEAD BOLT (M6X25)	1	1		
7	304	TF120S0510	HEX.SOCKET HEAD BOLT (M5X10)	1	1		
7	305	TF2616001A	SLIDE HOLDER	1	1		
7	306	TF6126008A	SLEEVE	1	1		
7	307	TF3651008A	SLIDE HOLDER WASHER	1	1		
7	308	TF6362070A	CUSHION TUBE	1	1		
7	309	TF3312328A	MAIN PIPE ASSY	1	1		
7	310	TF6126009A	DRIVE BUSH	4	4		
7	311	TF6126010A	BUSH HOLDER	4	4		
7	312	TF5313012A	SPRING	5	5		
7	313	TF4117027A	DRIVE SHAFT	1	1		
7	314	TF4613005B	SET COLLAR	1	1		
7	315	TF290Q0506	HEX.SOCKET HEAD SET SCREW	1	1		
7	316	TF6126010A	BUSH HOLDER	1	1		
7	317	TF480J1200	SNAP RING (S-12)	1	1		
7	318	TF3318145B	GUIDE PIPE ASSY	1	1		
7	318	TF3318145A	GUIDE PIPE ASSY	1	1		
7	319	TF244F0408	SCREW	1	1		
7	321	142602-7	TELESCOPIC PIPE CPL., EY2650H25H	1	1		Inc. 300-319
7	A01	125516-5	SHOULDER STRAP	1	1		NOT PICTURED