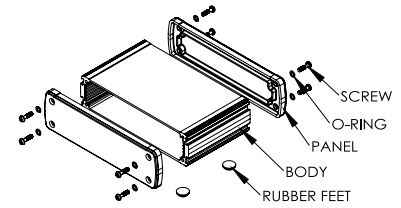
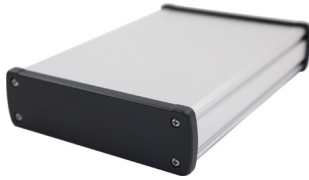


Aluminium End Panel with Extruded Aluminium Body

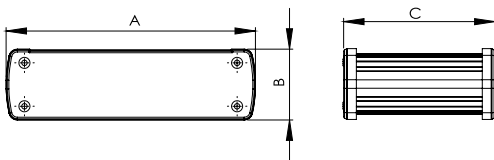
multicomp PRO



Specification Table

Part number	Body	Panel	O-Ring	Rubber Feet	Screw
MC002165	Aluminium Extrusion 6063/ Silver Anodized (Pantone 877C)	Die-Cast Aluminium ADC-12/Painted Black (RAL9005)	6×0.5mm Material: PC Colour: Clear	12×5mm Material: Rubber Colour: Black	M3.5 × 12mm Material: Stainless SUS 304 Colour: Unfinished
MC002166	Aluminium Extrusion 6063/ Silver Anodized (Pantone 877C)	Die-Cast Aluminium ADC-12/Painted Black (RAL9005)			
MC002167	Aluminium Extrusion 6063/ Silver Anodized (Pantone 877C)	Die-Cast Aluminium ADC-12/Painted Black (RAL9005)			
MC002168	Aluminium Extrusion 6063/ Silver Anodized (Pantone 877C)	Die-Cast Aluminium ADC-12/Painted Black (RAL9005)			
MC002169	Aluminium Extrusion 6063/ Black Anodized (Pantone Black U)	Die-Cast Aluminium ADC-12/Painted Black (RAL9005)			
MC002170	Aluminium Extrusion 6063/ Black Anodized (Pantone Black U)	Die-Cast Aluminium ADC-12/Painted Black (RAL9005)			
MC002171	Aluminium Extrusion 6063/ Black Anodized (Pantone Black U)	Die-Cast Aluminium ADC-12/Painted Black (RAL9005)			
MC002172	Aluminium Extrusion 6063/ Black Anodized (Pantone Black U)	Die-Cast Aluminium ADC-12/Painted Black (RAL9005)			

Diagram



Part Number	External Dimension (mm) A × B × C
MC002165	146.6 × 41.6 × 89
MC002166	146.6 × 41.6 × 129
MC002167	146.6 × 41.6 × 169
MC002168	146.6 × 41.6 × 209

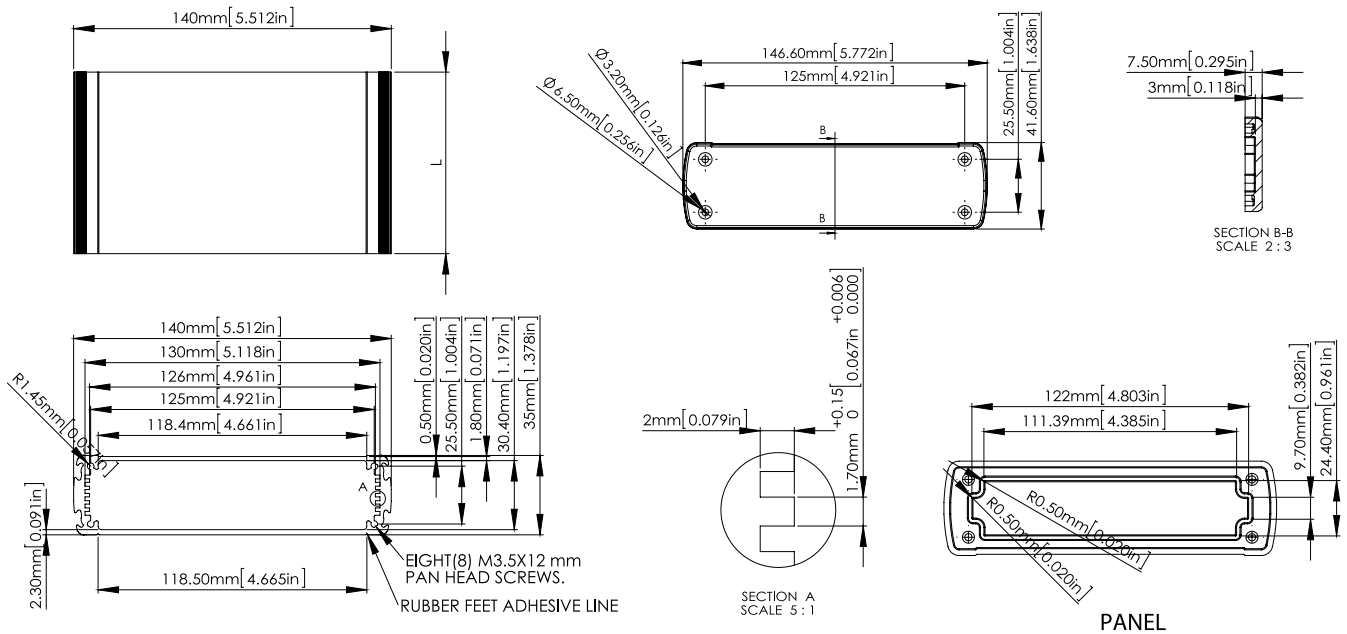
Part Number	External Dimension (mm) A × B × C
MC002169	146.6 × 41.6 × 89
MC002170	146.6 × 41.6 × 129
MC002171	146.6 × 41.6 × 169
MC002172	146.6 × 41.6 × 209

Newark.com/multicomp-pro
Farnell.com/multicomp-pro
Element14.com/multicomp-pro

multicomp PRO

Aluminium End Panel with Extruded Aluminium Body

multicomp PRO



Part Number	"L"
MC002165	80mm
MC002166	120mm
MC002167	160mm
MC002168	200mm

Part Number	"L"
MC002169	80mm
MC002170	120mm
MC002171	160mm
MC002172	200mm

According to ISO 2768-m	
Measuring DIM=L	Tolerances
0.5<L<=3mm	±0.1mm
3<L<=6mm	±0.1mm
6<L<=30mm	±0.2mm
30<L<=120mm	±0.3mm
120<L<=400mm	±0.5mm
400<L<=1000mm	±0.8mm

Part Number Table

Description	Part Number
Aluminium End Panel with Extruded Aluminium Body	MC002165
	MC002166
	MC002167
	MC002168
	MC002169
	MC002170
	MC002171
MC002172	

Important Notice : This data sheet and its contents (the "Information") belong to the members of the AVNET group of companies (the "Group") or are licensed to it. No licence is granted for the use of it other than for information purposes in connection with the products to which it relates. No licence of any intellectual property rights is granted. The Information is subject to change without notice and replaces all data sheets previously supplied. The Information supplied is believed to be accurate but the Group assumes no responsibility for its accuracy or completeness, any error in or omission from it or for any use made of it. Users of this data sheet should check for themselves the Information and the suitability of the products for their purpose and not make any assumptions based on information included or omitted. Liability for loss or damage resulting from any reliance on the Information or use of it (including liability resulting from negligence or where the Group was aware of the possibility of such loss or damage arising) is excluded. This will not operate to limit or restrict the Group's liability for death or personal injury resulting from its negligence. Multicomp Pro is the registered trademark of Premier Farnell Limited 2019.

Newark.com/multicomp-pro
Farnell.com/multicomp-pro
Element14.com/multicomp-pro

multicomp PRO