



Every part matters

EN

1/16 - 1/8 DIN TEMPERATURE CONTROLLER CONCISE PRODUCT MANUAL



CAUTION: Installation should be only performed by technically competent personnel. It is the responsibility of the installing engineer to ensure that the configuration is safe. Local regulations regarding electrical installation & safety must be observed - e.g. US National Electrical Code (NEC) and/or Canadian Electrical Code. Impairment of protection will occur if the product is used in a manner not specified by the manufacturer.

1. INSTALLATION

Installation Guidance

- Standards compliance shall not be impaired when fitted into the final installation.
- Designed to offer a minimum of Basic Insulation only
- Ensure that supplementary insulation suitable for Installation Category II is achieved when fully installed.
- To avoid possible hazards, accessible conductive parts of the final installation should be protectively earthed in accordance with EN61010 for Class 1 Equipment.
- Output wiring should be within a Protectively Earthed cabinet.
- Sensor sheaths should be bonded to protective earth or not be accessible.
- Live parts should not be accessible without the use of a tool.
- When fitted to the final installation, an IEC/CSA APPROVED disconnecting device should be used to disconnect both LINE and NEUTRAL conductors simultaneously.
- Do not position the equipment so that it is difficult to operate the disconnecting device.

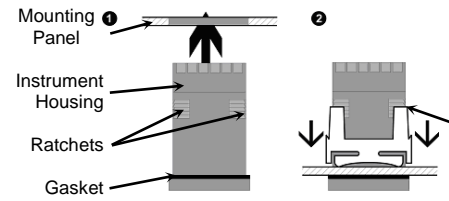
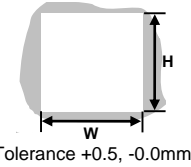
Panel-Mounting

The mounting panel must be rigid, and may be up to 6.0mm (0.25inch) thick. Cut-out sizes are:

1/16: Width = 45mm, Height = 45mm

1/8: Width = 45mm, Height = 92mm

For *n* multiple instruments mounted side-by-side, cut-out width *W* is 48*n*-4mm.



- Insert instrument into the panel cut-out.
- Hold front bezel firmly (without pressing on display area), and fit mounting clamp.
- Push clamp forward, using a tool if necessary, until gasket is compressed and instrument is held firmly in position.

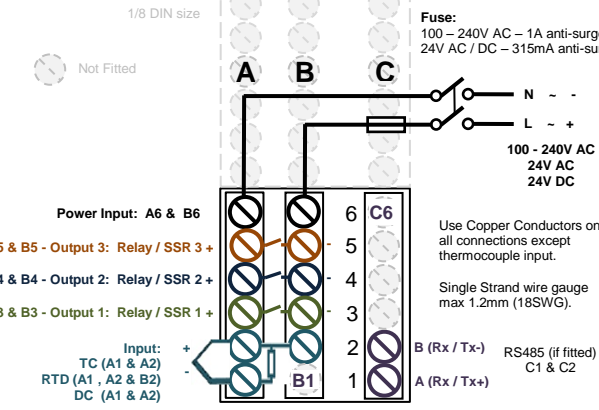


CAUTION: For an effective IP65 seal against dust and moisture, ensure gasket is well compressed against the panel, with the 4 tongues located in the same ratchet slot.

Rear Terminal Wiring

This diagram shows all possible option combinations. Check the product configuration before wiring.

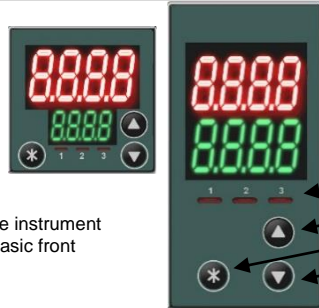
CAUTION: Check information label on housing for correct operating voltage before connecting supply to Power Input



NEVER DIRECTLY CONNECT DEDICATED CONFIGURATION SOCKET TO A USB PORT.

2. FRONT PANEL

Displays & Indicators



Output LED indicators

- Up / Increment
- Enter / Confirm
- Down / Decrement

All versions of the instrument have the same basic front panel layout.

Keypad & General Navigation

Menu navigation, parameter editing and keypad use are described below. See the relevant manual sections for further information and exceptions.

General keypad usage & parameter editing:

Press **▲** or **▼** keys to navigate between parameters

To edit a parameter, press **✎**. The Parameter name (lower display) flashes when the parameter above can be edited / adjusted.

Press **▲** or **▼** to change the parameter value (upper display).

Edited values stop changing at the parameters limits. A further press of **▲** or **▼** past the parameter limit "wraps" the value back to the start (e.g. 0, 1, 2... ...98, 99, 100 **▲** 0, 1, 2...)

To confirm the change, press **✎** within 60s otherwise the change is rejected.

To navigating to Setup or Advance Configuration from User Mode:

Press and hold down **▲** and press **▲** for setup Mode, or

Press and hold down **▼** and press **▼** for advanced configuration.

Returning to User Mode from other modes:

After 120 seconds without key activity the unit returns automatically to the 1st User mode screen, or

Press and hold down **✎** and press **▲** to move back up one level.

3. FIRST POWER-UP (SETUP MODE)

When first powered up or after a factory reset (default) the instrument enters Setup Mode.

Important Note: The device remains in Setup, or will keep powering up back into Setup Mode, until all parameters have been reviewed and the user exits the Setup Mode.

Screen Name	Lower Display	Upper Display	Adjustment Range & Description	Default Value
Setup mode lock code	5.Loc		Enter lock code to continue. Default is 10.	10
Input Type	TYPE	TC.J	J Thermocouple -200 – 1200°C -328 – 2192°F	TC.K
		TC.K	K Thermocouple -240 – 1373°C -400 – 2503°F	
		P.100	PT100 -199 – 800°C -328 – 1472°F	
		TC.B	B Thermocouple 100 – 1824°C 211 – 3315°F	
		TC.C	C Thermocouple 0 – 2320°C 32 – 4208°F	
		TC.L	L Thermocouple 0 – 762°C 32 – 1403°F	
		TC.N	N Thermocouple 0 – 1399°C 32 – 2551°F	
		TC.R	R Thermocouple 0 – 1795°C 32 – 3198°F	
		TC.S	S Thermocouple 0 – 1762°C 32 – 3204°F	
		TC.T	T Thermocouple -240 – 400°C -400 – 752°F	
		0.20	0 – 20mA DC	
		4.20	4 – 20mA DC	
		0.50	0 – 50mV DC	
		10.50	10 – 50mV DC	
		0.5	0 – 5V DC	
		1.5	1 – 5V DC	
		0.10	0 – 10V DC	
		2.10	2 – 10V DC	
Input Units	Un.t	C	Temperature displayed as °C.	C
		F	Temperature displayed as °F.	
Process Display Resolution	dEc.P	0000	No decimal places	0000
		000.0	1 decimal place	
		00.00	2 decimal places	Not available for temperature inputs.
		0.000	3 decimal places	
Scaled Range Upper Limit	ScUL		Scale Input Lower Limit +100 display units to range maximum. (Only visible in Setup Mode when a dc linear type is selected)	Input max Lin=1000
Scaled Range Lower Limit	ScLL		Range minimum to Scale Input Upper Limit -100 display units. (Only visible in Setup Mode when a dc linear type is selected)	Input min Linear=0
Output 1 Usage	OUT 1	HEAT	Heat Power	HEAT
		COOL	Cool Power	

		AL1	Alarm 1	
		AL2	Alarm 2	
		AL12	Alarm 1 or 2	
		Loop	Control loop alarm (2 x Integral time)	
Output 2 Usage	OUT2		As Output 1 Usage	AL1
Output 3 Usage	OUT3		As Output 1 Usage	AL2
Alarm 1 Value	AL.1		Range minimum to range maximum OFF disables the alarm. Default high alarm	1373
Alarm 2 Value	AL.2		Range minimum to range maximum OFF disables the alarm. Default low alarm	-240
Setpoint Value	SP		Target setpoint adjustable between setpoint upper and lower limits.	0
Automatic Tuning Start/Stop	tunE	OFF	Use current PID control terms or manually tune.	OFF
		P-rE	Start a pre-tune routine.	
		ALtSP	Start the tune at setpoint.	

4. USER MODE

Screen Name	Lower Display	Upper Display	Screen Usage and Visibility
"Indicator" enabled	Warnings / Errors	Process Variable	If Indc parameter is enabled, setpoint is hidden but warnings or errors may still appear.
Basic Setpoint Control 1st Screen (Automatic Mode)	Effective Setpoint	Process Variable	Basic Setpoint Control enabled – automatic control. Press ▲ or ▼ to instantly adjust setpoint. If ramping, the target setpoint is shown while adjusting. OFF replaces the setpoint if control is disabled.
Basic Setpoint Control 1st Screen (Manual Mode)	Manual Power	Process Variable	Basic Setpoint Control enabled - manual control. Press ▲ or ▼ to instantly adjust manual power. The power value is shown as Pxxx.
The following screens are not shown when Basic Setpoint Control enabled (see the display sub-menu d.ISP in Advance configuration – Section 6)			
User 1st Screen (Automatic Mode)	Effective Setpoint	Process Variable	Available in automatic control mode. If ramping, the target setpoint is shown while adjusting. OFF replaces setpoint if control is disabled. DLY replaces setpoint if control delayed.
User 1st Screen (Manual Mode)	Manual Power	Process Variable	Available in manual control mode. Manual Power value is shown as Pxxx
Important: To appear in the User Mode the visibility setting for any of the parameters below must be SHLW in the OPLr sub-menu.			
Alarm Status	ALSt	Active Alarms	Active only when alarms are active. 1 = Alarm 1 active 2 = Alarm 2 active L = Loop Alarm active. Any combination can be displayed here
Latch Status	LAtH	Latched Outputs	Active only when an output is latched on. 1 = Output 1 2 = Output 2 3 = Output 3 Clear by pressing ✎ .
Maximum PV	P7A	Value	Clear by pressing ✎ .
Minimum PV	P7m	Value	
Control Enable	CnEt	OFF	Control output(s) disabled. (except in manual mode)
		On	Control output(s) enabled. PID or On-Off control available.
Manual Control Enable	MnCE	OFF	Instrument in automatic control mode (manual control OFF).
		On	Manual control ON. Power is shown as Pxxx in 1st User screen.
Time On Remaining	O.t.	Time left for ON timer	Active only when the ON Timer is decrementing. When time = 0 control is disabled. Screen persists until time = 0.
Delay Time Remaining	d.t.	Time left for delay timer	Active only when the Delay time is decrementing. When this time expires control is enabled.
Warning Messages & Error Codes			
Caution: Do not continue with the process until the issue is resolved.			
Screen Name	Lower Display	Upper Display	Screen Meaning and Visibility
Alarm Active	Normal	-AL-	One or more alarms are active (alternates with PV). Optional – see d.ISP
Output Latched	Normal	Ltch	One or more output are latched on (alternates with PV), and no alarm is active.
Input Over Range	Normal	-HH-	Process variable input >5% over-range.
Input Under Range	Normal	-LL-	Process variable input >5% under-range
Input Sensor Break	OFF	OPEN	Break detected in process variable input sensor or wiring.

Un-calibrated Input	OFF	Err	Selected input range has not been calibrated.
Manual Power	Pxxx	Normal	Manual power value replaces the setpoint.
Setpoint Ramping	SPr	Normal	Setpoint ramp is active (alternates with setpoint).
Control Disabled	OFF	Normal	Control is disabled, control outputs are off.
Control Delayed	dLY	Normal	Visible if control delayed by Delayed Start Time (d.t.)
Automatic Tuning	tunE	Normal	Tuning is active (alternates with setpoint).
Automatic Tuning Errors			If the tune fails the display alternates between the tune error code and the setpoint. Remains visible until tune set to off.
	tEr.1	Normal	PV is within 5% of scaled range from setpoint
	tEr.2		Setpoint is ramping
	tEr.3		Control is ON/OFF
	tEr.4		Control is manual
	tEr.5		Tune at Setpoint not able to run
	tEr.6		Sensor break
	tEr.7		Timer running
	tEr.8		Control is disabled

5. WARNING SYMBOLS

	Caution, refer to installation manual when connecting General danger to life or limb		Equipment protected through-out by double insulation
	Alternating current		Both direct and alternating current

6. SPECIFICATIONS

UNIVERSAL INPUT

Thermocouple Calibration: ±0.25% of full range, ±0.4% of full range below 110°C with 1dp ranges, ±1LSD (±1°C for Thermocouple CJC). BS4937, NBS125 & IEC584.

PT100 Calibration: ±0.25% of full range, ±0.4% of full range above 520°C with 1dp ranges, ±1LSD. BS1904 & DIN43760 (0.00385Ω/Ω/°C).

DC Calibration: ±0.2% of full range, ±1LSD.

Sampling Rate: 4 per second.

Impedance: >10MΩ resistive, except DC mA (5Ω) and V (47kΩ).

Sensor Break Detection: Thermocouple, RTD, 4 to 20mA, 2 to 10V and 1 to 5V ranges only. Control outputs turn off.

Isolation: Isolated from all outputs (except SSR driver) by at least BASIC isolation. Universal input must not be connected to operator accessible circuits if relay outputs are connected to a hazardous voltage source. Supplementary insulation or input grounding would then be required. Isolated from Mains Power Input by basic isolation.

OUTPUTS

RELAYS (OPTIONAL)

Contacts: SPST Form A relay; current capacity 2A at 250VAC.
Lifetime: >150,000 operations at rated voltage/current, resistive load.
Isolation: Basic Isolation from universal input and SSR outputs.

SSR Drivers (OPTIONAL)

Drive Capability: SSR drive voltage >10V at 20mA
Isolation: Not isolated from universal input or other SSR driver outputs.

OPERATING CONDITIONS

Usage: For indoor use only, mounted in suitable enclosure
Ambient Temperature: 0°C to 55°C (Operating), -20°C to 80°C (Storage).
Relative Humidity: 20% to 95% non-condensing.
Altitude: <2000m
Supply Voltage and Power: 100 to 240VAC ±10%, 50/60Hz, 7.5VA (for mains powered versions), or 24VAC +10/-15% 50/60Hz 7.5VA or 24VDC +10/-15% 5W (for low voltage versions).

ENVIRONMENTAL

Standards: CE
EMI: Complies with EN61326-1:2013.
Safety Considerations: Complies with EN61010-1 Version 2010, Pollution Degree 2 and Installation Class 2.
Front Panel Sealing: Front to IP65 when correctly mounted, Rear of panel to IP20.

PHYSICAL

Front Bezel Size: 1/16 Din = 48 x 48 mm, 1/8 Din = 48 x 96 mm
Depth Behind Panel: 67mm with sealing gasket fitted.
Weight: 0.20kg maximum

7. ADVANCED CONFIGURATION

The advanced configuration gives access to all of the features of the unit.

Advanced Configuration Mode Navigation

Press **▲** or **▼** to navigate to the required sub-menu, then press **✎** to enter.

Advanced Configuration Main Menu

Advanced Configuration Mode Lock Code	A.Loc	Enter lock code to enter Advanced Configuration. Default code is 20 .	20
Screen Name	Lower Display	Upper Display	Sub-Menu Usage and Visibility
User Settings		USEr	Provides access to Control and Manual Mode enable/disable. Only shown if Basic User mode is select in d.iSP (see below).
Input Setup		InPt	Configuration parameters for the process input.
Input Calibration		CAL	Single or two point calibration adjustments for the process input.
Output Setup		OUTP	Configuration parameters for the outputs.
Control Setup		COnT	PID control tuning & configuration parameters. Hidden if no control output set.
Setpoint & Timer Setup	AdU	SPt	Setpoint and timer settings.
Alarm Setup		ALn	Alarm configuration parameters.
Communications Setup		CoM	Modbus communications settings. Only shown if RS485 option is fitted
Display Settings		d.iSP	Enable Basic Mode and change lock codes.
Operator Setup		OPtE	Control what appears in User Mode screen.
Product Information		InFo	View product serial number and manufacturing information.

User Sub-Menu: USEr

Provides access to Output Control Enable / Disable.

Screen Name	Lower Display	Upper Display	Adjustment Range & Description	Default Value
Alarm Status	ALSt	Active Alarms	Visible when alarms are active - L2 1 are active. 1 = Alarm 1 active 2 = Alarm 2 active 3 = Loop Alarm active	Blank
Latch Status	LAtH	Latched Alarms	Active when an output is latched - l23 are active. 1 = Output 1 2 = Output 2 3 = Output 3	Blank
Maximum PV	P7A		Max/Min PV recorded whilst powered up or since last reset. To clear press ⊕ then to select YES . Press ⊙ to accept.	
Minimum PV	P7m			
Control Enable	CnEt	OFF On	Control output(s) disabled. Control output(s) enabled. PID or On-Off control available.	On
Manual Control Enable	M7Ct	OFF On	Instrument in automatic control mode (manual control OFF). Manual control ON. Power is shown as Pxxx in 1st User screen.	OFF

Input Sub-Menu: InPt

Screen Name	Lower Display	Upper Display	Adjustment Range & Description	Default Value
Input Type	TYPE		Options available same as in setup mode (section 3)	TC.k
Input Units	UnIt	C F	Temperature displayed as °C Temperature displayed as °F	C
Process Display Resolution	dEc.P	0000 000.0 00.00 0.000	No decimal places 1 decimal place 2 decimal places 3 decimal places <i>Not available for temperature inputs.</i>	0000
Scaled Range Upper Limit	ScUL		Scale Input Lower Limit +100 display units to range maximum	Input max Lin=1000
Scaled Range Lower Limit	ScLL		Range minimum to Scale Input Upper Limit - 100 display units	Input min Linear=0
Input Filter Time	FILt	OFF	OFF or 0.5 to 100.0 seconds in 0.5 increments	2.0
Cold Junction Compensation	CJC	On OFF	Enables the internal thermocouple CJC. Disables the internal CJC. External compensation must be provided for thermocouples.	On

Input Calibration Sub-Menu: CAL

Single or two point calibration adjustments for the process input. If the error is not constant across the sensor range, measure the error at a low point and high point in the process, and use two point calibration to correct it.

Screen Name	Lower Display	Upper Display	Adjustment Range & Description	Default Value
Single Point Offset		OFF5	Shifts the input value up or down by the offset amount across the entire range.	0
Low Calibration Point		LCAL	The value at which the low point error was measured.	Lower Limit
Low Offset		L.OFF	Enter an equal, but opposite offset value to the observed low point error.	0
High Calibration Point		HCAL	The value at which the high point error was measured.	Upper Limit
High Offset		H.OFF	Enter an equal, but opposite offset value to the observed high point error.	0

Output Setup Sub-Menu: OUTP

Screen Name	Lower Display	Upper Display	Adjustment Range & Description	Default Value
Output 1 Usage	OUT1	HEAT COOL	Heat Power Cool Power	
Output 1 Alarm		AL1 AL2	Alarm 1 Alarm 2	HEAT
Output 1 Alarm Latching		AL2 AL12	Alarm 1 or 2	
Output 1 Alarm Action	Act1	dIr rEu	Output changes with the alarm Output changes in opposition to alarm	dIr
Output 1 Alarm Latching	LAc1	OFF On	Latching off Latching on	OFF
LED Indicator 1 Inverting	Ind1	dIr rEu	LED Indicator changes with the output LED Indicator changes in opposition to the output	dIr
Output 2 Usage	OUT2		As Output 1 Usage	AL1
Output 2 Alarm Action	Act2		As Output 1 Alarm Action	dIr
Output 2 Alarm Latching	LAc2		As Output 1 Alarm Latching	OFF
LED Indicator 2 Inverting	Ind2		As LED Indicator 1 Inverting	dIr
Output 3 Usage	OUT3		As Output 1 Usage	AL2
Output 3 Alarm Action	Act3		As Output 1 Alarm Action	dIr
Output 3 Alarm Latching	LAc3		As Output 1 Alarm Latching	OFF
LED Indicator 3 Inverting	Ind3		As LED Indicator 1 Inverting	dIr

Control Sub-Menu: COnT

PID control tuning & configuration parameters. Hidden if no control outputs are set.

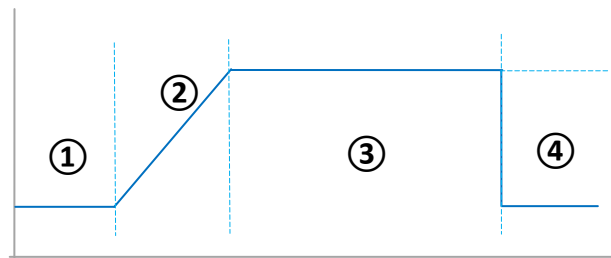
Screen Name	Lower Display	Upper Display	Adjustment Range & Description	Default Value
Heat Proportional Band	H.Pb		In display units. 0.0 (ON.OFF) and range: 0.5 to 999.9 units.	16.1
Cool Proportional Band	C.Pb			16.1
Automatic reset (integral time)	InT		1 second to 99 minutes 59 seconds and OFF	5.00
Rate (derivative time)	dEr.t		OFF 0 seconds to 99 minutes 59 seconds	1.15
Overlap/Deadband	0.d		In display units, range -20 to +20% of Heat and Cool Proportional Band	0
ON/OFF differential	d.FF		In display units, centred about the setpoint, range: 0.1% to 10.0% of input span	8
Loop Alarm Time	LAte		Visible when using On/Off control (i.e. when H.Pb or C.Pb = On.OFF) Sets the time to wait before the loop alarm becomes active.	99.59
Manual Reset (Bias)	b.iAS		0 to 100% (-100% to 100% if heat/cool control)	25
Heat Cycle Time	H.cYc		0.1 to 512.0 seconds	32.0
Cool Cycle Time	C.cYc			32.0
Heat and Cool output Inhibit	OPLC		Inhibits simultaneous switching of both heat and cool outputs.	OFF
Heat Power Limit	HPL		% power upper limit 0 to 100%	100
Cool Power Limit	CPL		% power upper limit 0 to 100%	100
Power Up Action	PUP	LAST On	Powers up with control enable in the same state as on power fail. Always powers up with control enabled.	LAST

Screen Name	Lower Display	Upper Display	Adjustment Range & Description	Default Value
Automatic Tuning Start/Stop	tunE	OFF PrE ALSP	Use current PID control terms or manually tune. Start a pre-tune routine. Start the tune at setpoint.	OFF

Setpoint & Timer Sub-Menu: SPt

Setpoint and timer settings. The timer can apply a delay before enabling control; a controlled ramp towards the target setpoint; a limit to the time at target setpoint before disabling control. Timer is not available in basic mode.

Screen Name	Lower Display	Upper Display	Adjustment Range & Description	Default Value
Timer Enable	tEnb	EnAb d.iSA	Enables the delay and on timers, functions at next power-up / control enable. Delay and on timers, are ignored, but setpoint ramping is not disabled.	d.iSA
Delayed Start Time	d.t		The time from power-up or a control enable request before control begins, from 00.0 1 to 99.59 or OFF . (Hours.Minutes) Control disabled until time elapsed.	OFF
Ramp Rate	rAtE		The rate (in units / hour) from current PV to setpoint following power-up or control enable. From 0.00 1 to 9999 or OFF Setpoint changes also follow this rate.	OFF
On Time	0.t		The time the target setpoint will be maintained once reached, from 00.0 1 to 99.59 or OFF . Control remains on indefinitely if set to INF . (Hours.Minutes).	INF
Setpoint Upper Limit	SPUL		The maximum allowed setpoint value, from current setpoint to scaled upper limit.	Upper Limit
Setpoint Lower Limit	SPLL		The minimum allowed setpoint value, from current setpoint to scaled lower limit.	Lower Limit



- At switch on or from control enable the unit will delay enabling control until the start timer (Delayed Start Time) expires.
- The setpoint then ramps from the current PV to the setpoint at the Setpoint Ramp Rate.
- When a ramp rate is not defined the active setpoint will step directly to the target setpoint. Once the active setpoint reaches the target setpoint, the 'on' timer (On Time) starts.
- When the on timer expires the control switches off.

If no time is defined for the on timer, control continues indefinitely unless manually disabled.

Alarm Sub-Menu: ALn

Screen Name	Lower Display	Upper Display	Adjustment Range & Description	Default Value
Alarm 1 Type	AL1t	nonE P.h P.Lo dEu bAnd	None Process High Alarm Process Low Alarm Deviation Alarm Band Alarm	P.h
Alarm 1 Value	AL1		Range minimum to range maximum OFF disables the alarm.	1373
Alarm 1 Hysteresis	HYS1		0 to full span	1
Alarm 2 Type	AL2t		As Alarm 1	P.Lo
Alarm 2 Value	AL2		Range minimum to range maximum OFF disables the alarm.	-240
Alarm 2 Hysteresis	HYS2		0 to full span	1
Alarm Inhibit	inh	nonE 1 2 1 2	Inhibit these alarms if active at power-up and on change in setpoint. None Alarm 1 Alarm 2 Alarm 1 and Alarm 2	nonE
Alarm Notification	NotE	nonE 1 2 1 2	Alternating indication -AL- shown when these alarms are active. None Alarm 1 Alarm 2 Alarm 1 and Alarm 2	1 2

Screen Name	Lower Display	Upper Display	Adjustment Range & Description	Default Value
Sensor Break Alarm	SbAc	On	activates both alarms when a sensor break is detected.	OFF

Communications Sub-Menu: CoM

Enable Basic Setpoint Control & change lock codes. ** Refer to the User Mode section 4.

Display Sub-Menu: d.iSP

Screen Name	Lower Display	Upper Display	Adjustment Range & Description	Default Value
Setup Lock Code	S.Loc		View and adjust lock code to allow entry to the Setup Mode. Adjustable from 1 to 9999 or OFF to allow unrestricted access.	10
Advanced Configuration Lock Code	A.Loc		View and adjust lock code to allow entry to the Advanced Configuration. Adjustable from 1 to 9999 or OFF to allow unrestricted access.	20
Basic Setpoint Control Enable/Disable	bASc		Basic Setpoint Control allows user to only change the setpoint or manual power. **	d.iSA
Indicator Enable/Disable	Indc		When enabled hides the lower display. **	d.iSA
Reset to Defaults	dFLt		Reset all parameters back to their factory defaults Reset by pressing ⊕ and selecting yes	

Operator Sub-Menu: OPtE

Controls what appears in the User Mode when Basic Setpoint Control is disabled.

Screen Name	Lower Display	Upper Display	Adjustment Range & Description	Default Value
PV Maximum	P7A		Hide or show parameters in User Mode when Basic Setpoint Control is disabled.	H idE
PV Minimum	P7m			H idE
Alarm Status	ALSt			H idE
Latch Status	LAtH			SHW
Control Enabled	CnEt			H idE
Manual Control Enabled	M7Ct			H idE
Time On Remaining	OnT			H idE
Delay Time Remaining	dLt			H idE

Product Information Sub-Menu: InFo (Read-Only view)

Screen Name	Lower Display	Description
Product Revision	P.rL	The hardware/software revision level
Firmware Type	FtYP	The firmware code type
Firmware Issue	iSS	The firmware version number
Serial Number 1	SEr1	First four digits of serial number
Serial Number 2	SEr2	Middle four digits of serial number
Serial Number 3	SEr3	Last four digits of serial number
Date of Manufacture	dOPn	Date of manufacture (mmyy)

