

# RPZF3

socket, Harmony Electromechanical Relays,  
for RPM3 power relays, 16A screw clamp  
terminals, mixed contact



## Main

Range of product	Harmony Electromechanical Relays
Device short name	RPZ
Product or component type	Socket
Product compatibility	Plug-in relay RPM with 3 C/O contact
Contacts type and composition	3 C/O
[I <sub>th</sub> ] conventional free air thermal current	16 A
[U <sub>e</sub> ] rated operational voltage	< 250 V

## Complementary

Shape of pin	Flat
Contact terminal arrangement	Mixed
Tightening torque	< 1 N.m for M3.5 screw(s)
Fixing mode	By screw (panel) Clip-on (35 mm symmetrical DIN rail)
[U <sub>imp</sub> ] rated impulse withstand voltage	4 kV
Overvoltage category	III
Pollution degree	3
Sale per indivisible quantity	10
Width	40 mm
Net weight	0.072 kg

## Environment

Connections - terminals	- screw clamp terminals, flexible cable with cable end 1 x 0.5...1 x 2.5 mm <sup>2</sup> / AWG 20...AWG 14 - screw clamp terminals, solid cable without cable end 1 x 0.5...1 x 1.5 mm <sup>2</sup> / AWG 20...AWG 16 - screw clamp terminals, flexible cable with cable end 2 x 0.5...2 x 2.5 mm <sup>2</sup> / AWG 20...AWG 14 - screw clamp terminals, solid cable without cable end 2 x 0.5...2 x 1.5 mm <sup>2</sup> / AWG 20...AWG 16
IP degree of protection	IP20 conforming to IEC 60529
Dielectric strength	2500 V
Standards	IEC 61984
Product certifications	CSA[RETURN]UL
Marking	CE
Ambient air temperature for storage	-40...85 °C
Ambient air temperature for operation	-40...55 °C

The information provided in this documentation contains general descriptions and/or technical characteristics of the performance of the products contained herein. This documentation is not intended as a substitute for and is not to be used for determining suitability or reliability of these products for specific user applications. It is the duty of any such user or integrator to perform the appropriate and complete risk analysis, evaluation and testing of the products with respect to the relevant specific application or use thereof. Neither Schneider Electric Industries SAS nor any of its affiliates or subsidiaries shall be responsible or liable for misuse of the information contained herein.

## Packing Units

Unit Type of Package 1	PCE
Number of Units in Package 1	1
Package 1 Height	3.0 cm
Package 1 Width	4.0 cm
Package 1 Length	8.5 cm
Package 1 Weight	77.0 g
Unit Type of Package 2	BB1
Number of Units in Package 2	10
Package 2 Height	6.3 cm
Package 2 Width	12 cm
Package 2 Length	20.2 cm
Package 2 Weight	770 g
Unit Type of Package 3	S03
Number of Units in Package 3	150
Package 3 Height	30 cm
Package 3 Width	30 cm
Package 3 Length	40 cm
Package 3 Weight	12.45 kg

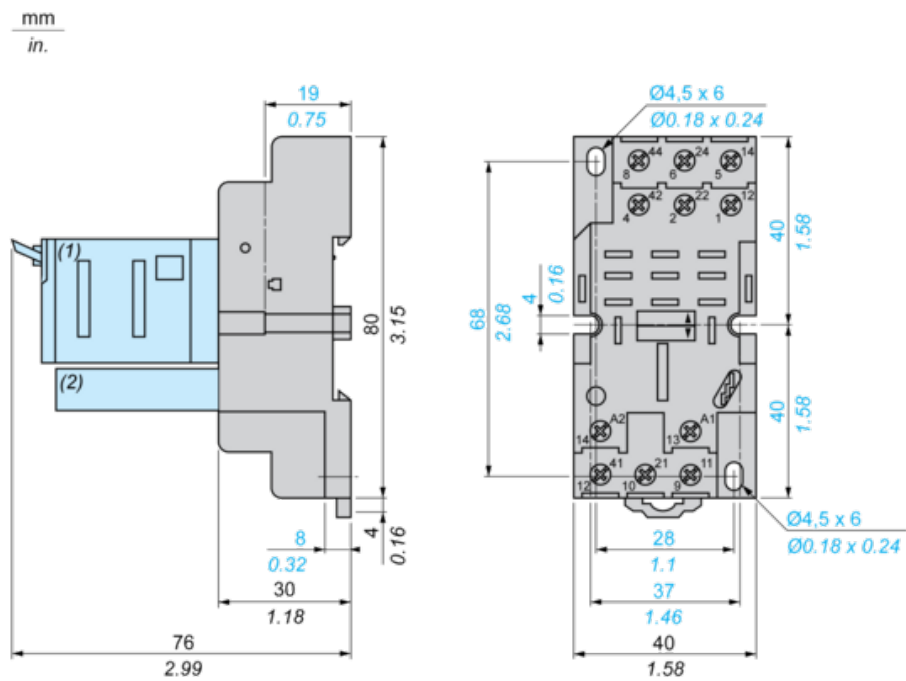
## Offer Sustainability

Sustainable offer status	Green Premium product
REACH Regulation	<a href="#">REACH Declaration</a>
REACH free of SVHC	Yes
EU RoHS Directive	Pro-active compliance (Product out of EU RoHS legal scope) <a href="#">EU RoHS Declaration</a>
Toxic heavy metal free	Yes
Mercury free	Yes
China RoHS Regulation	<a href="#">China RoHS Declaration</a>
RoHS exemption information	<a href="#">Yes</a>
Environmental Disclosure	<a href="#">Product Environmental Profile</a>
Circularity Profile	No need of specific recycling operations
WEEE	The product must be disposed on European Union markets following specific waste collection and never end up in rubbish bins

## Contractual warranty

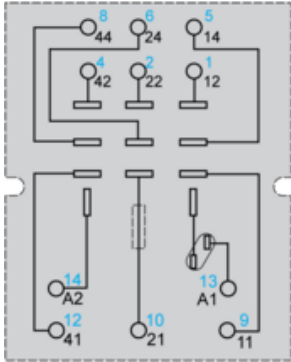
Warranty	18 months
----------	-----------

Dimensions



- (1) Relays
- (2) Protection module
- (3) Maintaining clamp

## Wiring Diagram



Symbols shown in blue correspond to Nema marking.