

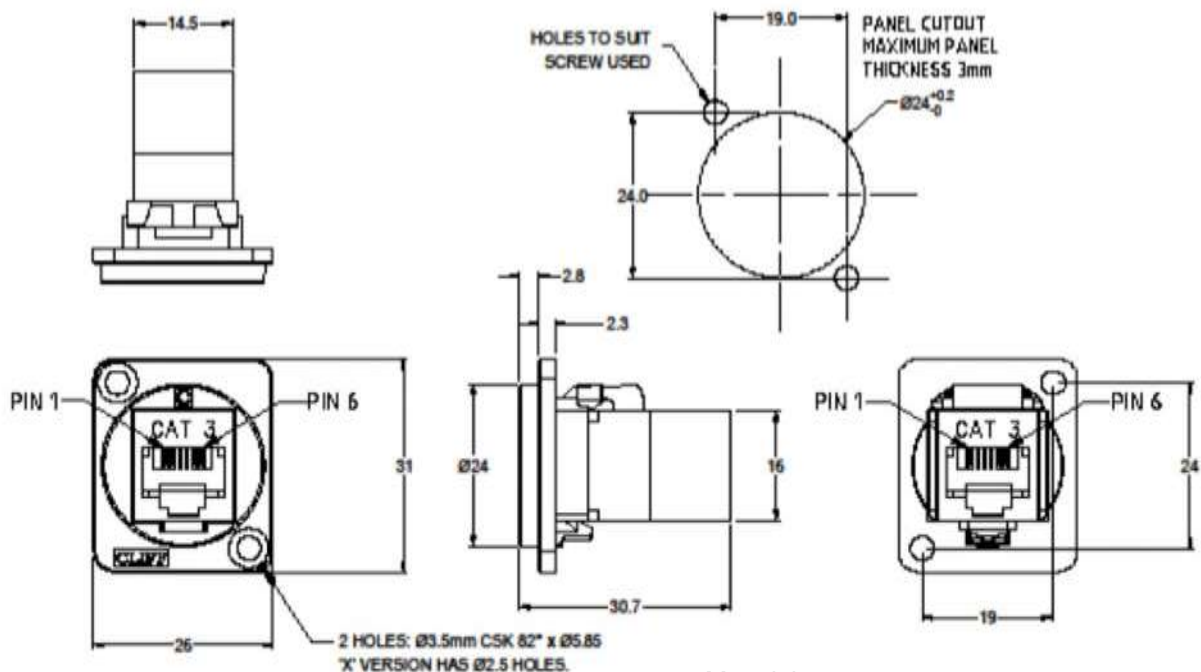


ENGLISH

Datasheet

RS PRO CAT 3 RJ12 6P6C FEEDTHROUGH CONNECTOR

Stock No: 2050433, 2050444



Material:

1. RJ12 In-Line Coupler:
PC/ABS, UL 94V-0, Black colour
2. RJ12 In-Line Coupler Contact: Phosphor Bronze, 3-50 micro inches gold plating over nickel plate.
3. PCB: FR4, UL 94V-0
4. Frame: Polyamide 94V-2

rspro.com

Feedthrough Features

- Fits standard XLR Ø24mm cutout.
- No soldering or punch termination. Use standard cable for each connector style.
- Front or rear mounted.
- Low rear profile

General:

Please note: Functionality is affected by cable quality, length and cable wiring configuration.

Part No.

2050433 Cat3 RJ12 6P6C Black plastic frame, CSK holes

2050444 Cat3 RJ12 6P6C Black plastic frame, PLAIN holes



rspro.com

