

FEATURES

- Two-bolt pillow block bearing
- Mount hole size of 13mm
- Offers a low-friction solution
- Cast iron housing
- Overall height of 62mm
- Depth of 31 mm
- Length of 127 mm
- Inside diameter of 12mm
- Mount hole measurement centre-to-centre is 95 mm
- Centre height of 30.2mm

Pillow Block Bearing 12mm ID

RS Stock No.: 750-8933



RS Professionally Approved Products bring to you professional quality parts across all product categories. Our product range has been tested by engineers and provides a comparable quality to the leading brands without paying a premium price.

Product Description

Pillow block bearings are typically found in industrial applications, where they're used to support a rotating shaft. This two-bolt pillow block bearing housing from RS PRO is well-suited for use with low load-bearing systems such as fans, gearboxes and electric motors in conveyor systems and agricultural machinery.

The dimensions of this pedestal-mounted bearing are 62 mm x 31 mm x 127 mm, while the inside diameter measures 12 mm. It's been constructed to create the least possible amount of friction within your equipment. The robust bearing housing is made from cast iron, so you can be sure of a long-lasting product.

General Specifications

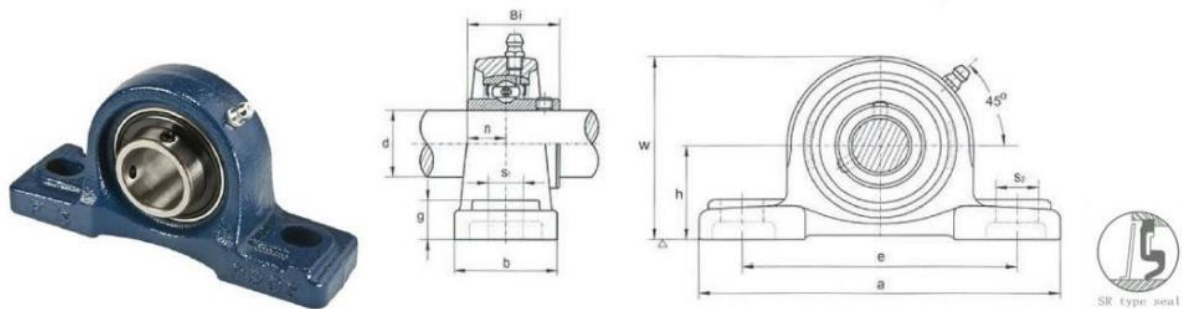
Material	Cast Iron
Thread	M10
Applications	Packaging equipment, Conveyor systems, Agricultural equipment, Construction plant, Heat treatment equipment

Mechanical Specifications

Inside Diameter	12mm
Centre Height	30.2mm
Mount Hole Size	13mm
Length	127mm
Depth	31mm
Overall Height	62mm
Mount Hole Centre-To-Centre	95mm
Weight	0.63kg

Approvals

Compliance/Certifications: ANSI/ESD S20.20:2014 and BS EN 61340-5-1:2007



RS Article no.	Bearing unit No.	Shaft Dia.	Dimension (mm)										Bolt used (mm)	Bearing No.	Housing No.	Weight (kg)
		d (mm)	h	a	e	b	s ₂	s ₁	g	w	Bi	n				
7508933	UCP201	12	30.2	127	95	38	16	13	14	62	31.0	12.7	M10	UC 201	P 201	0.63
7508936	UCP202	15	30.2	127	95	38	16	13	14	62	31.0	12.7	M10	UC 202	P 202	0.63
7508949	UCP203	17	30.2	127	95	38	16	13	14	62	31.0	12.7	M10	UC 203	P 203	0.63
7508946	UCP204	20	33.3	127	95	38	16	13	14	65	31.0	12.7	M10	UC 204	P 204	0.65
7508952	UCP205	25	36.5	140	105	38	16	13	15	71	34.0	14.3	M10	UC 205	P 205	0.79
7508964	UCP206	30	42.9	165	121	46	20	17	17	83	38.1	15.9	M14	UC 206	P 206	1.30
7508977	UCP207	35	47.6	167	127	46	20	17	18	93	42.9	17.5	M14	UC 207	P 207	1.60
7508974	UCP208	40	49.2	184	137	54	20	17	18	98	49.2	19.0	M14	UC 208	P 208	2.00
7508983	UCP209	45	54.0	190	146	54	20	17	20	106	49.2	19.0	M14	UC 209	P 209	2.20
7508986	UCP210	50	57.2	206	159	60	23	20	21	114	51.6	19.0	M16	UC 210	P 210	2.80
7508999	UCP211	55	63.5	219	171	60	23	20	23	126	55.6	22.2	M16	UC 211	P 211	3.40
7508992	UCP212	60	69.8	241	184	70	23	20	25	138	65.1	25.4	M16	UC 212	P 212	4.80
7509009	UCP213	65	76.2	265	203	70	28	25	27	151	65.1	25.4	M20	UC 213	P 213	5.70
7509002	UCP214	70	79.4	266	210	72	28	25	27	157	74.6	30.2	M20	UC 214	P 214	7.00
7509006	UCP215	75	82.6	275	217	74	28	25	28	163	77.8	33.3	M20	UC 215	P 215	7.60