

Industrial Mains Socket Surface Mount

multicomp PRO

**RoHS
Compliant**



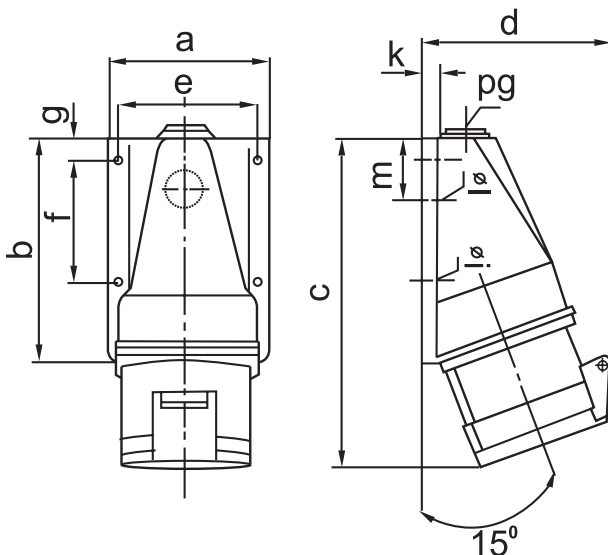
Features

- Cable Inlet: One top (Opening)
One Bottom Hole (Closed)
- Surface Mount

Specifications

Current Rating	: 16A / 32A
Voltage Rating	: 230V / 400V 50-60Hz
Poles	: 3 / 4 / 5
IP rating	: IP44
Min Wire Size	: 16A : 1.5mm ² 32A : 2.5mm ²
Max Wire Size	: 16A : 4mm ² 32A : 6mm ²

Diagram



Dimensions

Current Rating	16A			32A			
	Poles	3	4	5	3	4	5
a		71		81			81
b		83		102			102
c		128	130	147			157
d		78	82	90	94		98
e		60		70			70
f		33.5		47.5			47.5
g		13		12.5			12.5
i		5.3					5.3
k		8.5					8.5
l		23					23
m		37					33

Dimensions : Millimetres

Newark.com/multicomp-pro
Farnell.com/multicomp-pro
sg.element14.com/b/multicomp-pro

multicomp PRO

Industrial Mains Socket Surface Mount

multicomp PRO



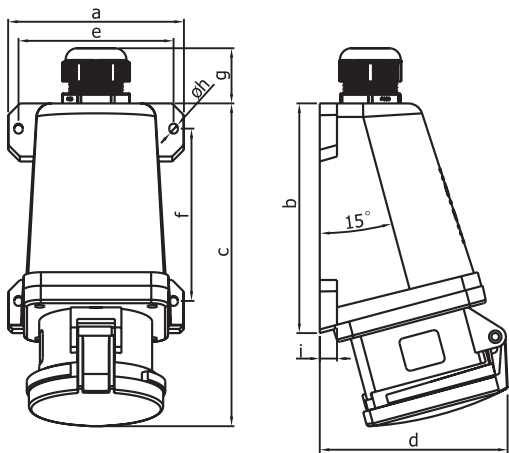
Features

- Cable Inlet: in tail (Opening)
One Bottom Hole (Closed)
- More Wiring Space

Specifications

Current Rating	: 63A
Voltage Rating	: 230V / 400V 50-60Hz
Poles	: 3 / 4 / 5
IP rating	: IP44
Min Wire Size	: 6mm ²
Max Wire Size	: 25mm ²

Diagram



Dimensions

a	122.5
b	160.2
c	225.5
d	130.3
e	108
f	120
g	39.4
h	6
i	12

Dimensions : Millimetres

Newark.com/multicomp-pro
Farnell.com/multicomp-pro
sg.element14.com/b/multicomp-pro

multicomp PRO

Industrial Mains Socket Surface Mount

multicomp PRO



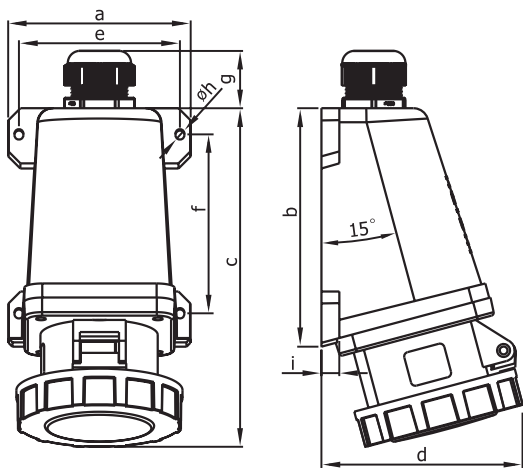
Features

- Cable Inlet: in tail (Opening)
One Bottom Hole (Closed)
- More Wiring Space

Specifications

Current Rating	: 63A
Voltage Rating	: 230V / 400V 50-60Hz
Poles	: 3 / 4 / 5
IP rating	: IP67
Min Wire Size	: 6mm ²
Max Wire Size	: 25mm ²

Diagram



Dimensions

a	122.5
b	160.2
c	225.6
d	134.4
e	108
f	120
g	39.4
h	6
i	12

Dimensions : Millimetres

Newark.com/multicomp-pro
Farnell.com/multicomp-pro
sg.element14.com/b/multicomp-pro

multicomp PRO

Industrial Mains Socket Surface Mount

multicomp PRO



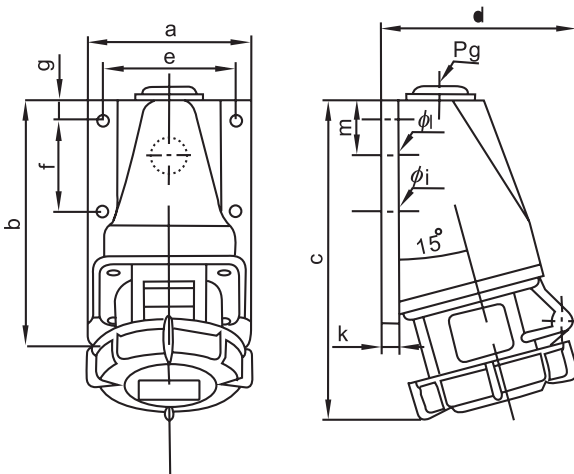
Features

- Cable Inlet: One Top (Opening)
One Bottom Hole (Closed)
- More Wiring Space

Specifications

Current Rating	: 16A / 32A
Voltage Rating	: 230V / 400V 50-60Hz
Poles	: 3 / 4 / 5
IP rating	: IP67
Min Wire Size	: 16A : 1.5mm ² 32A : 2.5mm ²
Max Wire Size	: 16A : 4mm ² 32A : 6mm ²

Diagram



Dimensions

Current Rating	16A			32A			
	Poles	3	4	5	3	4	5
a		71		81			81
b		83		102			102
c		135	140	156			165
d		78	82	90			94
e		60		70			70
f		33.5		47.5			47.5
g		13		12.5			12.5
i		5.3					5.3
k		8.5					8.5
l		23					23
m		37					33
pg		21					21

Dimensions : Millimetres

Newark.com/multicomp-pro
Farnell.com/multicomp-pro
sg.element14.com/b/multicomp-pro

multicomp PRO

Industrial Mains Socket Surface Mount

multicomp PRO

Part Number Table

Description	Part Number
Mains Socket, 3P, 16A, 230V, IP44	MP011050
Mains Socket, 4P, 16A, 400V, IP44	MP011051
Mains Socket, 5P, 16A, 400V, IP44	MP011052
Mains Socket, 3P, 32A, 230V, IP44	MP011062
Mains Socket, 4P, 32A, 400V, IP44	MP011063
Mains Socket, 5P, 32A, 400V, IP44	MP011064
Mains Socket, 3P, 63A, 230V, IP44	MP011074
Mains Socket, 3P, 63A, 230V, IP67	MP011110
Mains Socket, 4P, 63A, 400V, IP44	MP011075
Mains Socket, 4P, 63A, 400V, IP67	MP011111
Mains Socket, 5P, 63A, 400V, IP44	MP011076
Mains Socket, 5P, 63A, 400V, IP67	MP011112
Mains Socket, 3P, 16A, 230V, IP67	MP011086
Mains Socket, 4P, 16A, 400V, IP67	MP011087
Mains Socket, 5P, 16A, 400V, IP67	MP011088
Mains Socket, 3P, 32A, 230V, IP67	MP011098
Mains Socket, 4P, 32A, 400V, IP67	MP011099
Mains Socket, 5P, 32A, 400V, IP67	MP011100

Important Notice : This data sheet and its contents (the "Information") belong to the members of the AVNET group of companies (the "Group") or are licensed to it. No licence is granted for the use of it other than for information purposes in connection with the products to which it relates. No licence of any intellectual property rights is granted. The Information is subject to change without notice and replaces all data sheets previously supplied. The Information supplied is believed to be accurate but the Group assumes no responsibility for its accuracy or completeness, any error in or omission from it or for any use made of it. Users of this data sheet should check for themselves the Information and the suitability of the products for their purpose and not make any assumptions based on information included or omitted. Liability for loss or damage resulting from any reliance on the Information or use of it (including liability resulting from negligence or where the Group was aware of the possibility of such loss or damage arising) is excluded. This will not operate to limit or restrict the Group's liability for death or personal injury resulting from its negligence. Multicomp Pro is the registered trademark of Premier Farnell Limited 2019.

Newark.com/multicomp-pro
Farnell.com/multicomp-pro
sg.element14.com/b/multicomp-pro

multicomp PRO