

# 3.5mm Pluggable Reverse Right Angle Plug

**multicomp** PRO

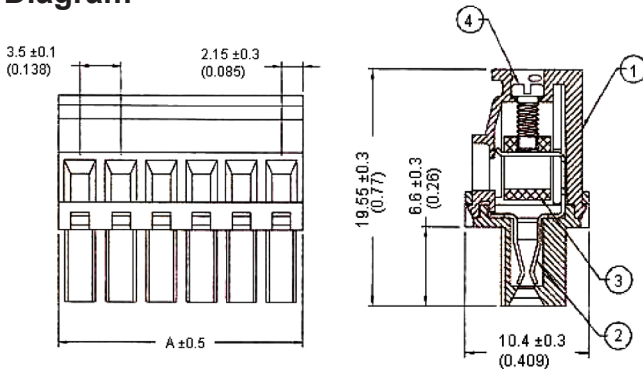
**RoHS  
Compliant**



## Specifications

Current Rating	: 8 Amperes, 300V AC
Min. Insulation Withstand Voltage	: 2,000V AC
Insulation Resistance	: >2,000MΩ 500V DC
Operating Temperature	: -40°C to +105°C

## Diagram



Dimensions : Millimetres (Inches)

## Specification Table

No.	Material	Plating / Finish	Remark
1	Insulating Body	Polyamide 66	Green
2	Contact	Phosphor Bronze	Tin Plated
3	Cage Clamp	Brass	-
4	Screw	Steel	

## Dimensions Table

Pitch : 3.5mm (0.138 inch)		
Poles	A (mm)	A (Inch)
2	7.8	0.307
3	11.3	0.445
4	14.8	0.583
5	18.3	0.72
6	21.8	0.858
8	28.8	1.134
10	35.8	1.409
12	42.8	1.685

## Part Number Table

Description	Part Number
Plug 3.5mm Reverse Right Angle 10A 02 Way	MC000072
Plug 3.5mm Reverse Right Angle 10A 03 Way	MC000073
Plug 3.5mm Reverse Right Angle 10A 04 Way	MC000074
Plug 3.5mm Reverse Right Angle 10A 05 Way	MC000075
Plug 3.5mm Reverse Right Angle 10A 06 Way	MC000076
Plug 3.5mm Reverse Right Angle 10A 08 Way	MC000077
Plug 3.5mm Reverse Right Angle 10A 10 Way	MC000078
Plug 3.5mm Reverse Right Angle 10A 12 Way	MC000079

**Important Notice :** This data sheet and its contents (the "Information") belong to the members of the AVNET group of companies (the "Group") or are licensed to it. No licence is granted for the use of it other than for information purposes in connection with the products to which it relates. No licence of any intellectual property rights is granted. The Information is subject to change without notice and replaces all data sheets previously supplied. The Information supplied is believed to be accurate but the Group assumes no responsibility for its accuracy or completeness, any error in or omission from it or for any use made of it. Users of this data sheet should check for themselves the Information and the suitability of the products for their purpose and not make any assumptions based on information included or omitted. Liability for loss or damage resulting from any reliance on the Information or use of it (including liability resulting from negligence or where the Group was aware of the possibility of such loss or damage arising) is excluded. This will not operate to limit or restrict the Group's liability for death or personal injury resulting from its negligence. Multicomp Pro is the registered trademark of Premier Farnell Limited 2019.

Newark.com/multicomp-pro  
Farnell.com/multicomp-pro  
Element14.com/multicomp-pro

**multicomp** PRO