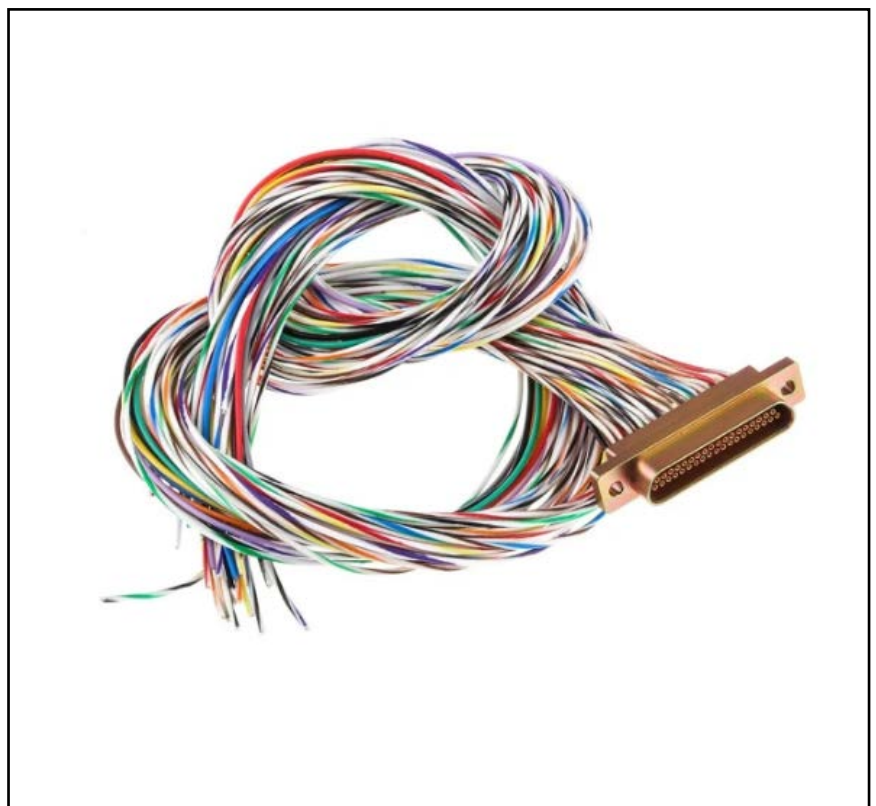


FEATURES

- **Durable and rugged design**
- **Reliable with a high performance**
- **Lightweight with a compact space-saving high-density design**
- **Rugged aluminium shell for extra strength and EMI/RFI shielding**
- **Interface seal isolates contacts from one another**
- **Gold plated pin and receptacle contacts**
- **Pre-terminated with 18-inch wire leads**

RS PRO 37 Way Panel Mount D-sub Connector Socket

RS Stock No.: 453-921



RS Professionally Approved Products bring to you professional quality parts across all product categories. Our product range has been tested by engineers and provides a comparable quality to the leading brands without paying a premium price.

Product Description

From RS PRO a durable high density, high-performance Micro-D D-Sub connector designed for use in rugged and demanding environments. The metal shell of this connector provides both EMI & RFI shielding. This d-sub also features an interfacial seal which offers protection to the contacts against moisture and humidity. This D-sub connector has a compact design with a contact pitch of just 1.27mm which means it is ideal for use in applications where weight and space need to be kept at a minimum.

General Specifications

| | |
|---------------------------|--|
| Number Of Contacts | 37 |
| Gender | Female |
| Body Orientation | Straight |
| Mounting Type | Panel Mount |
| D Connector | Micro-D |
| D-Sub Shell Size | B |
| Termination Method | Solder |
| Housing Material | Aluminium |
| Dimensions | 37.46mm x 7.57mm x 10.64mm |
| Contact Material | Copper Alloy |
| Contact Plating | Gold |
| Application | Networking and communications equipment; Data processing equipment; Sensors and data loggers; Industrial and medical equipment; Portable electric generation equipment; Aircraft and Spacecraft applications |

Electrical Specifications

| | |
|-------------------------------------|---------------------|
| Current Rating | 3.0A |
| Voltage Rating | 250V |
| Contact Resistance | 8 milliohms maximum |
| Dielectric Withstand Voltage | 600VAC/RMS |

Mechanical Specifications

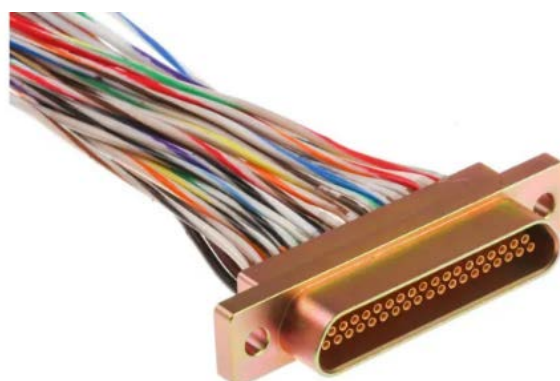
| | |
|-------------------------------|--|
| Length | 37.46mm |
| Width | 7.57mm |
| Depth | 10.64mm |
| Contact Size | 0.127 μ |
| Maximum Mating Force | 10.50kg |
| Minimum Unmating Force | 0.53kg |
| Individual Contact | 6 oz. (170.40 g) maximum insertion; 0.5 oz. (14.20 g) minimum withdrawal |

Operation Environment Specifications

| | |
|--------------------------------------|--------|
| Maximum Operating Temperature | +135°C |
| Minimum Operating Temperature | -55°C |

Approvals

| | |
|----------------------------------|----------|
| Compliance/Certifications | UL94 V-0 |
|----------------------------------|----------|

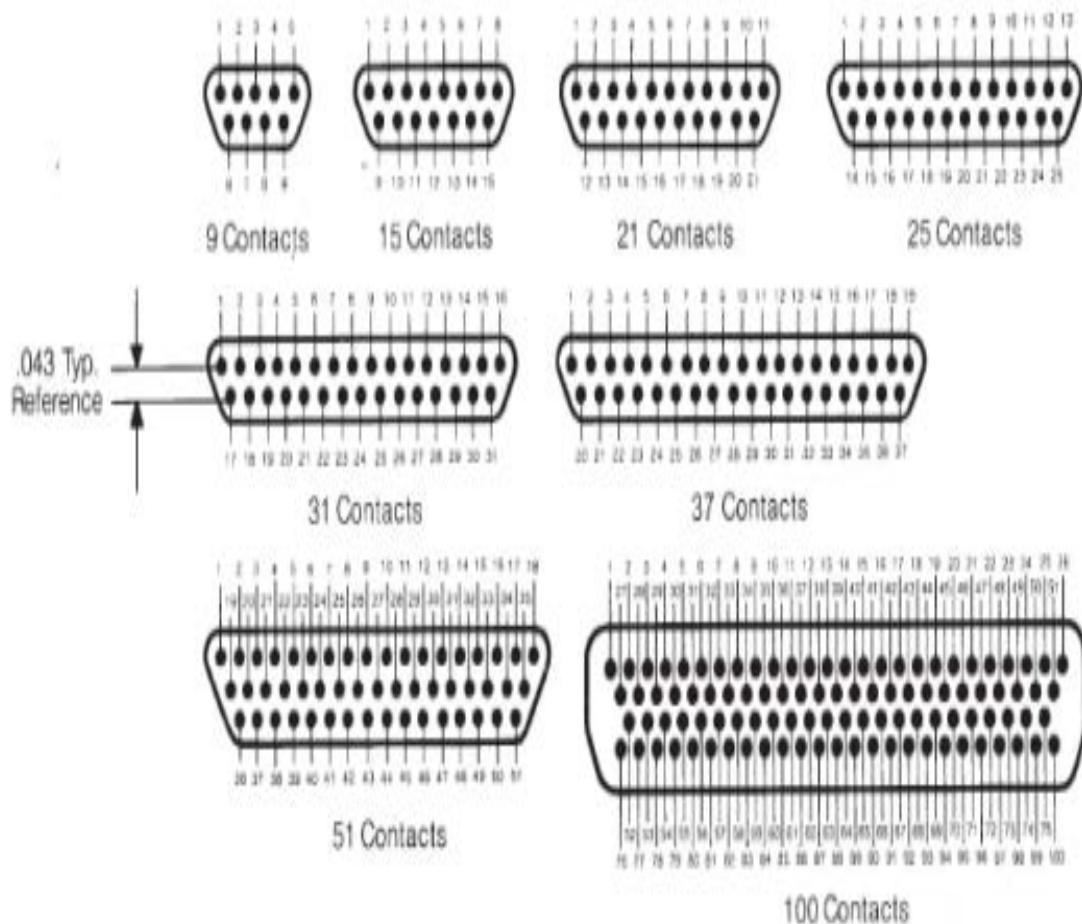


| No. of Contacts | Maximum Mating Force | | Minimum Unmating Force | |
|-----------------|----------------------|-------|------------------------|------|
| | Lb. | Kg | Lb. | Kg |
| 9 | 5.63 | 2.56 | .28 | .13 |
| 15 | 9.38 | 4.26 | .47 | .21 |
| 21 | 13.13 | 5.96 | .66 | .30 |
| 25 | 15.63 | 7.10 | .78 | .35 |
| 31 | 19.38 | 8.80 | .97 | .44 |
| 37 | 23.13 | 10.50 | 1.16 | .53 |
| 51 | 31.88 | 14.47 | 1.59 | .72 |
| 100 | 62.50 | 28.38 | 3.13 | 1.42 |

Contact Arrangements

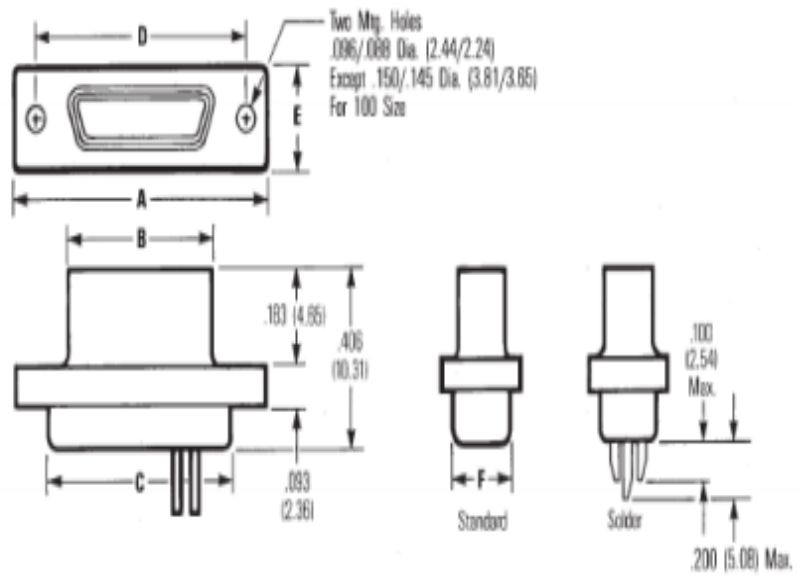
(Face view of pin insert)

(Use reverse order for socket side)

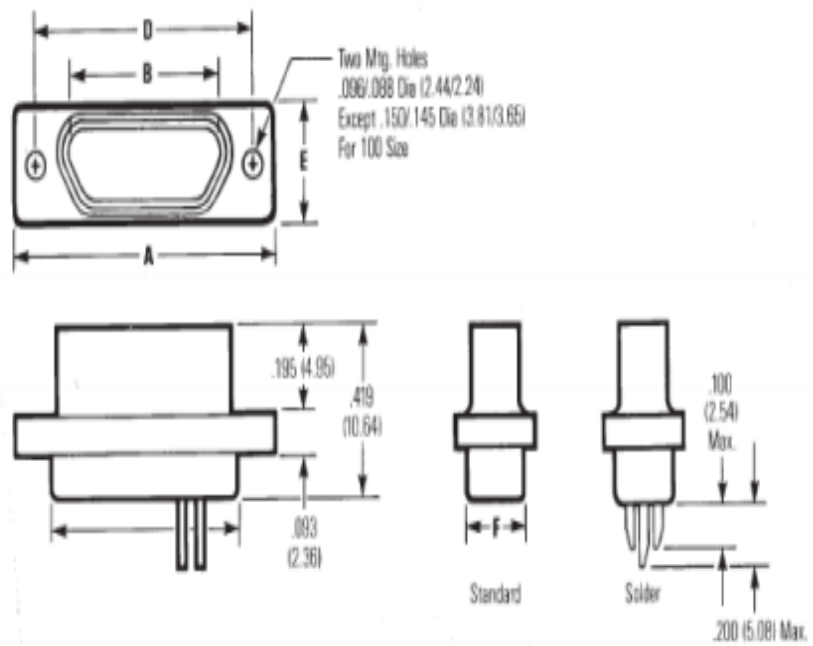


Connector Dimensions - Metal Shell

Plug



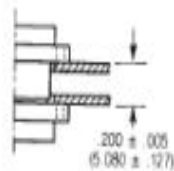
Socket



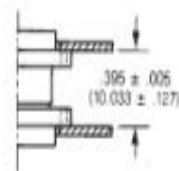
| No. of Contacts | A | | B Max. | | C +.010 (.254) -.018 (.457) | | D | | E | | F Max. | |
|-----------------|---------------|-------|--------|-------|-----------------------------------|-------|---------------|-------|---------------|------|--------|------|
| | ± .010 (.254) | | | | | | ± .005 (.127) | | ± .010 (.254) | | | |
| | in | mm | in | mm | in | mm | in | mm | in | mm | in | mm |
| 9 Plug | .775 | 19.68 | .333 | 8.46 | .390 | 9.91 | .565 | 14.35 | .298 | 7.57 | .270 | 6.86 |
| 9 Socket | .775 | 19.68 | .396 | 10.06 | .390 | 9.91 | .565 | 14.35 | .298 | 7.57 | .270 | 6.86 |
| 15 Plug | .925 | 23.50 | .483 | 12.27 | .540 | 13.72 | .715 | 18.16 | .298 | 7.57 | .270 | 6.86 |
| 15 Socket | .925 | 23.50 | .546 | 13.87 | .540 | 13.72 | .715 | 18.16 | .298 | 7.57 | .270 | 6.86 |
| 21 Plug | 1.075 | 27.30 | .633 | 16.08 | .690 | 17.53 | .865 | 21.97 | .298 | 7.57 | .270 | 6.86 |
| 21 Socket | 1.075 | 27.30 | .696 | 17.68 | .690 | 17.53 | .865 | 21.97 | .298 | 7.57 | .270 | 6.86 |
| 25 Plug | 1.175 | 29.84 | .733 | 18.62 | .790 | 20.07 | .965 | 24.51 | .298 | 7.57 | .270 | 6.86 |
| 25 Socket | 1.175 | 29.84 | .796 | 20.22 | .790 | 20.07 | .965 | 24.51 | .298 | 7.57 | .270 | 6.86 |
| 31 Plug | 1.325 | 33.66 | .883 | 21.16 | .940 | 23.88 | 1.115 | 28.32 | .298 | 7.57 | .270 | 6.86 |
| 31 Socket | 1.325 | 33.66 | .946 | 24.03 | .940 | 23.88 | 1.115 | 28.32 | .298 | 7.57 | .270 | 6.86 |
| 37 Plug | 1.475 | 37.46 | 1.033 | 26.24 | 1.090 | 27.69 | 1.265 | 32.13 | .298 | 7.57 | .270 | 6.86 |
| 37 Socket | 1.475 | 37.46 | 1.096 | 27.84 | 1.090 | 27.69 | 1.265 | 32.13 | .298 | 7.57 | .270 | 6.86 |
| 51 Plug | 1.425 | 36.20 | .983 | 24.97 | 1.040 | 26.42 | 1.215 | 30.86 | .341 | 8.66 | .310 | 7.87 |
| 51 Socket | 1.425 | 36.20 | 1.046 | 26.57 | 1.040 | 26.42 | 1.215 | 30.86 | .341 | 8.66 | .310 | 7.87 |
| 100 Plug | 2.160 | 54.86 | 1.383 | 35.13 | 1.432 | 36.38 | 1.800 | 45.71 | .384 | 9.75 | .360 | 9.15 |
| 100 Socket | 2.160 | 54.86 | 1.446 | 36.73 | 1.432 | 36.38 | 1.800 | 45.71 | .384 | 9.75 | .360 | 9.15 |

Panel Mounting Dimensions

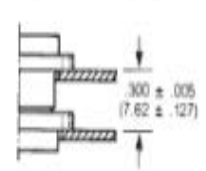
Pin and socket, rear mounted



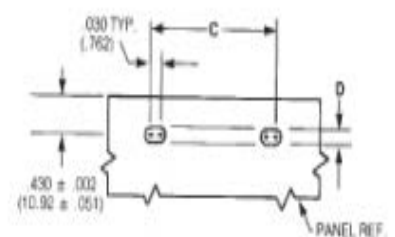
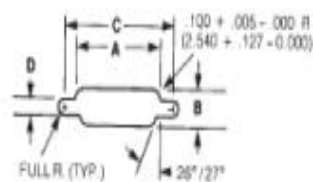
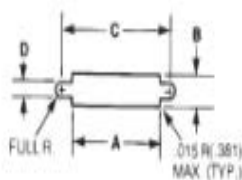
Pin and socket, front mounted



Pin, front mounted
Socket, rear mounted



Panel Cutout Dimensions



| No. of Contacts | Figure Number | A | | B | | C | | D | |
|-----------------|---------------|----------------|------------------|----------------|------------------|----------------|------------------|----------------|------------------|
| | | +0.04 -0.00 | (.101) (.000) | +0.04 -0.00 | (.101) (.000) | +0.05 -0.00 | (.127) (.000) | +0.05 -0.00 | (.127) (.000) |
| | | in | mm | in | mm | in | mm | in | mm |
| 9 | 1 | .408 | 10.36 | .270 | 6.86 | .570 | 14.48 | - | - |
| | 2 | .408 | 10.36 | .256 | 6.50 | .570 | 14.48 | .089 | 2.26 |
| | 3 | - | - | - | - | .570 | 14.48 | - | - |
| 15 | 1 | .558 | 14.17 | .270 | 6.86 | .720 | 18.29 | - | - |
| | 2 | .558 | 14.17 | .256 | 6.50 | .720 | 18.29 | .089 | 2.26 |
| | 3 | - | - | - | - | .720 | 18.29 | - | - |
| 21 | 1 | .708 | 17.98 | .270 | 6.86 | .870 | 22.10 | - | - |
| | 2 | .708 | 17.98 | .256 | 6.50 | .870 | 22.10 | .089 | 2.26 |
| | 3 | - | - | - | - | .870 | 22.10 | - | - |
| 25 | 1 | .808 | 20.52 | .270 | 6.86 | .970 | 24.64 | - | - |
| | 2 | .808 | 20.52 | .256 | 6.50 | .970 | 24.64 | .089 | 2.26 |
| | 3 | - | - | - | - | .970 | 24.64 | - | - |
| 31 | 1 | .958 | 24.33 | .270 | 6.86 | 1.120 | 28.45 | - | - |
| | 2 | .958 | 24.33 | .256 | 6.50 | 1.120 | 28.45 | .089 | 2.26 |
| | 3 | - | - | - | - | 1.120 | 28.45 | - | - |
| 37 | 1 | 1.108 | 28.14 | .270 | 6.86 | 1.270 | 32.26 | - | - |
| | 2 | 1.108 | 28.14 | .256 | 6.50 | 1.270 | 32.26 | .089 | 2.26 |
| | 3 | - | - | - | - | 1.270 | 32.26 | - | - |
| 51 | 1 | 1.058 | 26.87 | .315 | 8.00 | 1.220 | 30.99 | - | - |
| | 2 | 1.058 | 26.87 | .300 | 7.62 | 1.220 | 30.99 | .089 | 2.26 |
| | 3 | - | - | - | - | 1.220 | 30.99 | - | - |
| 100 | 1 | 1.450 | 36.84 | .361 | 9.17 | 1.805 | 45.86 | .117 | 2.97 |
| | 2 | 1.562 | 39.68 | .338 | 8.58 | 1.805 | 45.86 | .117 | 2.97 |
| | 3 | - | - | - | - | 1.805 | 45.86 | .117 | 2.97 |