



ENGLISH

Datasheet

DC Axial Fan, 40 x 40 x 28mm, 20.4m/h, 2.64W, 12 V dc (OD4028 Series)

RS Stock number [619-7071](#)



RS Part Number	Speed (RPM)	Airflow (CFM)	Noise (db)	Volts (DC)	Voltage Range	Current (Amps)	Lead Type
6197071	9000	12	37	12	6~13.8	0.2	Wire

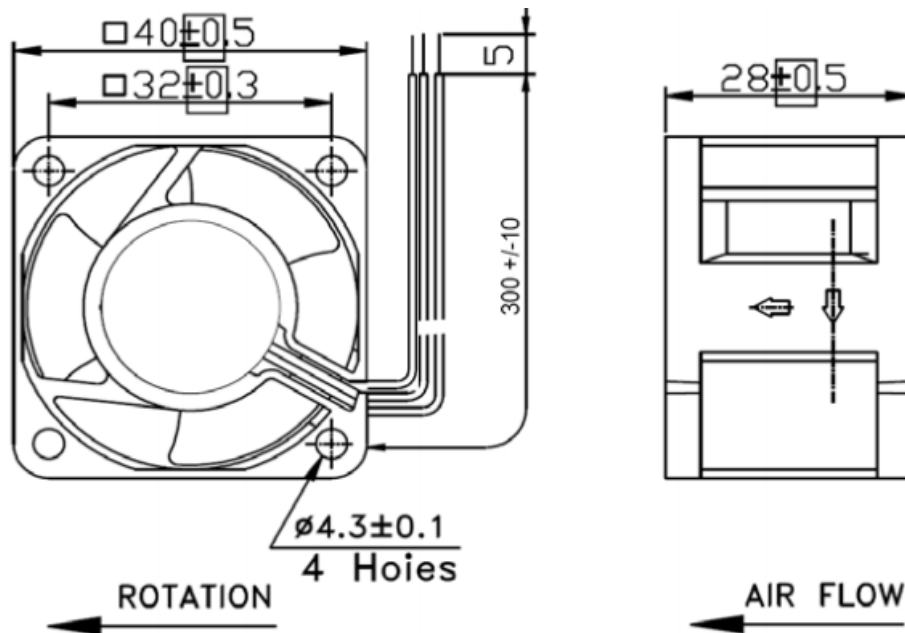
* 01A: Indicates Tachometer Output, Open Collector

Data Tolerance +/- 10%

Frame and Impeller
PBT, UL94V-0 Thermoplastic

Available Options
Tachometer
Locked Rotor Alarm

Finger Guard: G40-2
Plastic Guard: G40P
Filter Kit: GRM40-30, GRM40-45

Drawing(mm):

*Drawing for Dimensional Reference Only

MOTOR

Brushless DC, polarity protected, locked rotor protected (current limited), auto restart

INSULATION RESISTANCE

Min. 10 M ohms at 500VDC

LIFE EXPECTANCY (L10)

Ball Bearing 60,000 Hours

Operating Temperature

-10C ~ +70C

Safety Approvals

UL/CUL, TUV, CE