



ENGLISH

Stainless Steel 2-Piece Ball Valve with Pneumatic Actuator – Spring Return

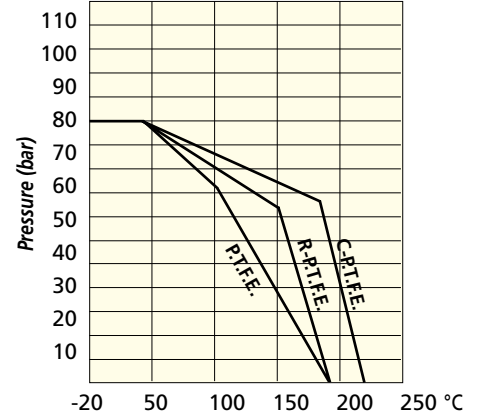
1,000 PSI Rated

Materials

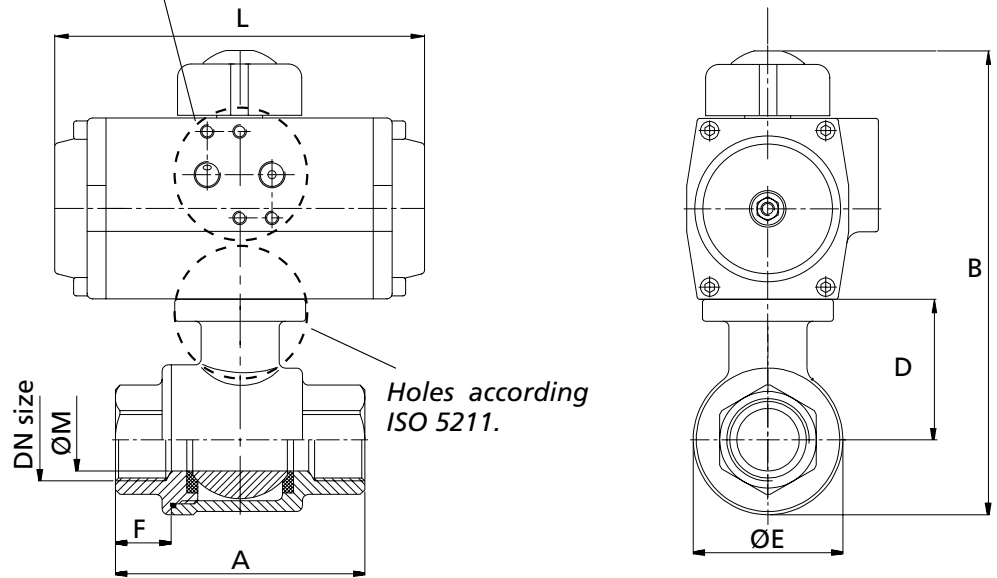
- Body = CF8M - 316 S/S
- Ball = 316 S/S
- Stem Seal = PTFE
- Ball Seal = PTFE



Pressure - Temperature Diagram



"NAMUR" connection for solenoid valve.



Holes according ISO 5211.

Overall Dimensions - Spring Return

RS Part No.	Dia mm	Size ins.	Model	A	B	D	ØE	F	L	ØM
7605643	8	1/4"	AP1-SR	65	144.2	36	32.4	9.6	137	11
7605652	10	3/8"	AP1-SR	65	144.2	36	32.4	9.6	137	12.7
7605655	15	1/2"	AP1-SR	65	147.3	38	34.6	12	137	15
7605659	20	3/4"	AP1-SR	74.5	171.7	41.7	43.9	19	137	20
7605668	25	1"	AP2-SR	88.5	177.6	44.4	50.3	19.5	150	25
7605661	32	1 1/4"	AP3-SR	102	210.3	54	62.6	20.3	204	32
7605665	40	1 1/2"	AP3.5-SR	110	221.6	59.5	74.1	24.5	230	40
7605674	50	2"	AP3.5-SR	125	246.5	67	89.1	29	230	50