



EN

Datasheet

RS PRO NYLON-INSULATED CORD END TERMINALS

Stock number: 178-7313

MAXIMUM ELECTRIC CURRENT:

A.W.G.	16
AMP.	18

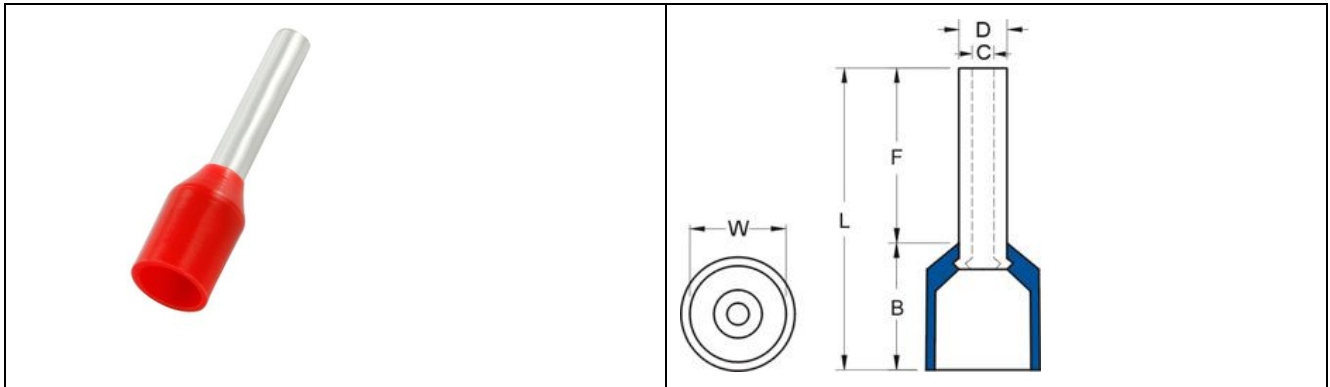
MAXIMUM ELECTRICAL RATING: 105° C 600 VOLTS MAX.

INSULATION MATERIAL: NYLON

TERMINAL MATERIAL: COPPER TUBE

SURFACE TREATMENT: TIN PLATE

INSULATION COLOR: RED



WIRE RANGE A.W.G. mm ²	ITEM NO.	DIMENSION inch(mm)					
		F	L	W	B	D	C
16 A.W.G. 1.5 mm ²	<input type="checkbox"/> 178-7313	0.472 12	0.709 18	0.138 3.5	0.248 6.3	0.079 2.000	0.067 1.7