

FEATURES

- Rated currents from 65A
- General purpose four-wire filtering
- Voltage rating 300 and 520VAC for world wide acceptance

RS PRO Power Line Filters

RS Stock No.: 2378769, 2378770



RS Professionally Approved Products bring to you professional quality parts across all product categories. Our product range has been tested by engineers and provides a comparable quality to the leading brands without paying a premium price.

Power Line Filters

Product Description

- For photovoltaic systems and industrial applications
- Three-phase motor drives
- UPS/SMPS
- Industrial automation equipment

General Specifications

Protection against interference of voltage. Used as a main input filter, YX91 filters can keep the system reliable by restrain the conducted interference. Customized products according to customer's requirements

Mechanical Specifications

size	260X170X100mm (L X W X H)
weight	25kgs

Electrical Specifications

Rated Voltage Max.	300/520VAC, 50/60Hz
Operating frequency	50/60Hz
Rated currents	65A@50°C
Hipot Rating	L-N: 1600VDC, L/N-G: 4000VDC

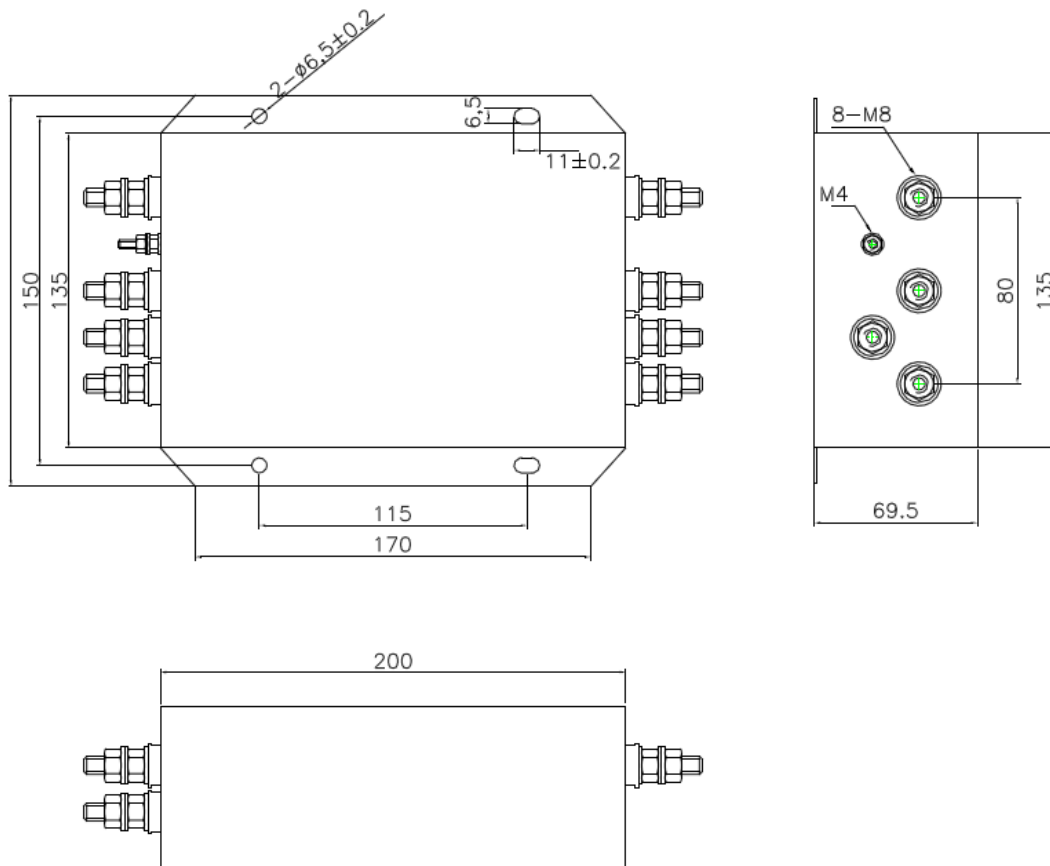
Protection Category

according to IEC 60529 IP40

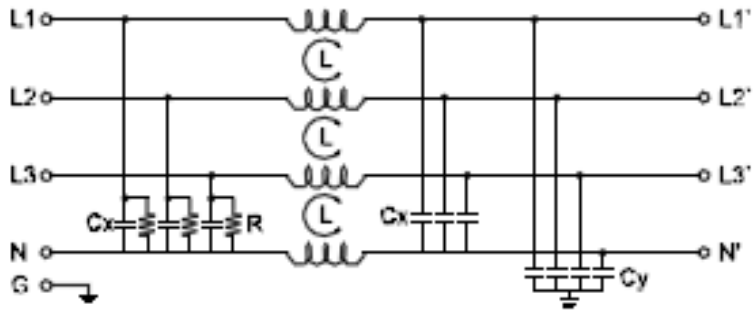
Approvals

Declarations	CUL;TUV;CE
Standards Met	UL1283, CSA C22.2 No.8; IEC/EN 60939,;

Physical Dimensions:



Electrical Schematic:



Insertion loss table(In 50ohm system according IEC/CISPR No.17)

———— Common mode - - - - - Differential mode

65A

