



# MASTER VALUE LEDspot PAR



## MAS LEDspot VLE D 9.5-75W 940 PAR30S 25D

With its robust design and warm-white beam of light, these new-generation PAR lamps are ideal for general lighting and spot lighting in the hospitality industry. It's a dimmable solution. They are especially suitable for public areas such as lobbies, corridors, stairwells, where the light is always on. The product offers more energy saving comparing with normal LED spots.

### Product data

General Information	
Cap base	E27
Nominal lifetime	25,000 h
Switching Cycle	50,000
Lighting Technology	LED
Flux measurement reference	Narrow Cone
Light Technical	
Colour Code	940 [CCT of 4000K]
Beam angle (nom.)	25 degree(s)
Luminous Flux	820 lm
Luminous intensity (nom.)	3,000 cd
Colour designation	Cool White (CW)
Correlated Colour Temperature (Nom)	4000 K
Luminous efficacy (rated) (nom.)	86 lm/W
Colour consistency	<6
Colour rendering index (CRI)	90
LLMF at end of nominal lifetime (nom.)	70 %
Luminous flux in 90° cone (rated)	820 lm

Photobiological safety according to EN 62471 RG1	
Operating and Electrical	
Line Frequency	50 to 60 Hz
Input frequency	50 to 60 Hz
Power Consumption	9.5 W
Lamp current (nom.)	60 mA
Wattage equivalent	75 W
Starting time (nom.)	0.5 s
Warm-up time to 60% light	0.5 s
Power Factor (Fraction)	0.7
Voltage (nom.)	220-240 V
Temperature	
T-Case maximum (nom.)	80 °C
Controls and Dimming	
Dimmable	Only with specific dimmers

# MASTER VALUE LEDspot PAR

## Mechanical and Housing

Lamp Finish	Clear
Bulb shape	PAR30S
Net Weight (Piece)	0.160 kg

## Approval and Application

Energy Efficiency Class	F
Suitable for accent lighting	Yes
Energy consumption kWh/1,000 hours	10 kWh
EPREL Registration Number	1121751
CE mark	Yes
EU RoHS compliant	Yes
EyeComfort	Yes
Flickering value (PstLM)	1
Stroboscopic effect	0.4

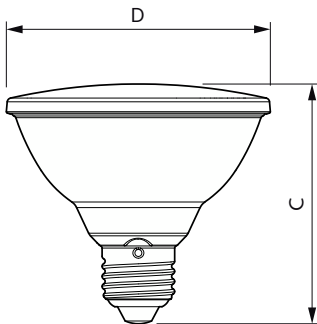
## Application Conditions

Can it be used in closed luminaires	No
-------------------------------------	----

## Product Data

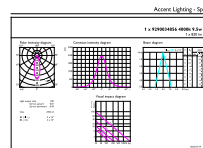
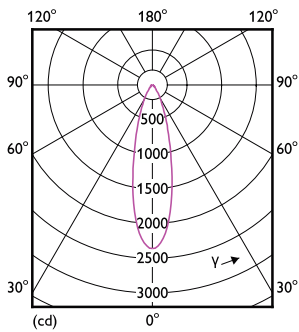
Order product name	MAS LEDspot VLE D 9.5-75W 940 PAR30S 25D
Full product name	MAS LEDspot VLE D 9.5-75W 940 PAR30S 25D
Full EOC	871951444324200
Order code	44324200
Material no. (12 NC)	929003485602
Numerator – quantity per pack	1
EAN/UPC – Product/Case	8719514443242
Numerator – packs per outer box	6
EAN/UPC – Case	8719514443259

## Dimensional drawing



Product	D	C
MAS LEDspot VLE D 9.5-75W 940 PAR30S 25D	95 mm	86 mm

## Photometric data

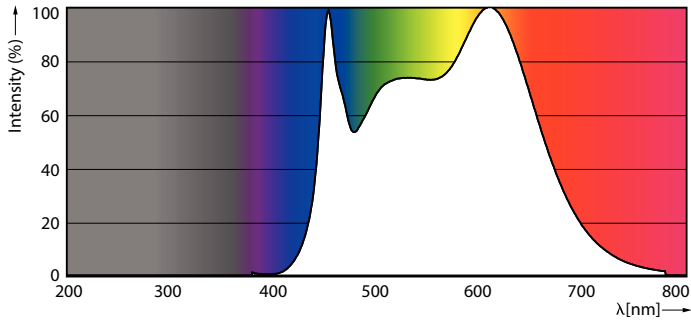


Light Distribution Diagram - MAS LEDspot VLE D 9.5-75W 940 PAR30S 25D

Accent Lighting Spots - MAS LEDspot VLE D 9.5-75W 940 PAR30S 25D

# MASTER VALUE LEDspot PAR

## Photometric data



Spectral Power Distribution Colour - MAS LEDspot VLE D 9.5-75W 940 PAR30S 25D

## Lifetime



Life Expectancy Diagram



Lumen Maintenance Diagram - MAS LEDspot VLE D 9.5-75W 940 PAR30S 25D

