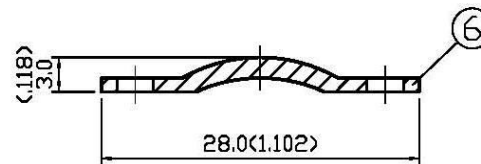
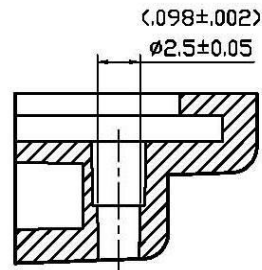
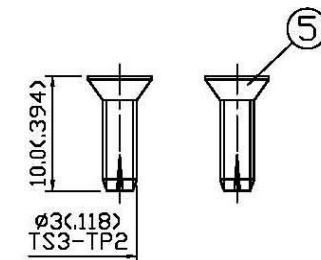
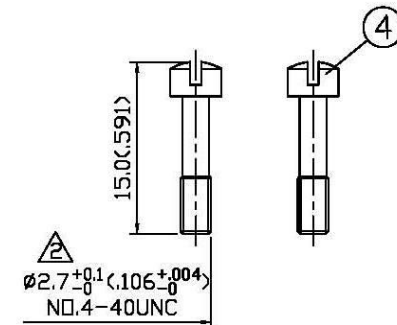
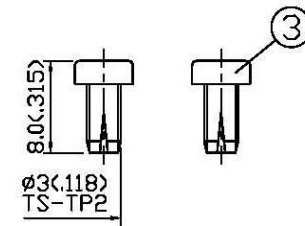
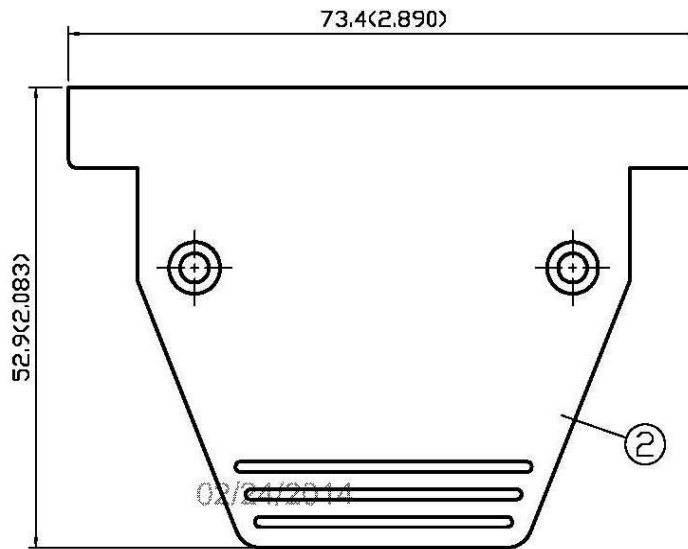
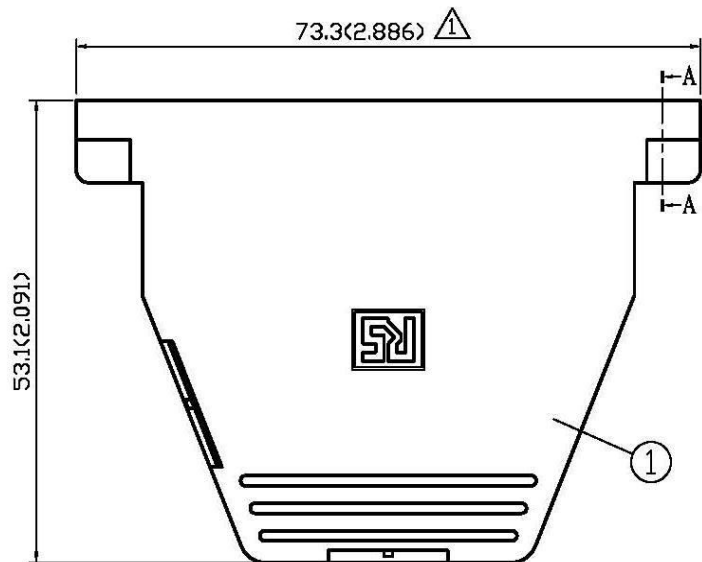


NO	DESCRIPTION	DATE
①	ADD MIS PART NO. 73.4 → 73.3	04.01.04'
②	ADD A-A SECTION ø2.7 → ø2.7 ^{+0.1} ₀	12.02.04'
③	ADD (P/N:544-4405)	04.14.10'



△ MIS PART NO: 069-0037H-01 (P/N:544-4405) △

APPROVED by _____ DATE: _____

△ A-A SECTION

NO	DESCRIPTION	MATERIAL	Q'TY	FINISH
6	SPRING	IRON	1	ZINC
5	SCREW	IRON	2	ZINC
4	SCREW	IRON	2	ZINC
3	SCREW	IRON	2	ZINC
2	CAP	ABS	1	NONE
1	BODY	ABS	1	NONE



DESCRIPTION		37PIN D-HOOD-1						
製圖	DRAWN	TOLERANCE	品名	37PIN D-HOOD-1	日期	DATE	版次	REV.
	Yoko	.X ±0.2	TITLE	\ROHS COMPLIANT	10.30.96		A-3	
檢圖	CHECK	.XX ±0.1	單位	mm(in)	DWG.NO. 55-0083			
	Arc	.XXX ±0.05	比例	SCALE				
認定	APPROVAL	ANGLE ±5°	比例	2:1				
	Angela							