

## FEATURES

- A manual depaneling tool designed to separate PCBs in a quick, economic and safe way, obtaining well-finished cut surfaces; the maximum length of the isthmus (tab) should not exceed 3 mm.
- Blade thickness 2.4mm (0.094")
- Maximum PCB thickness 1.6mm
- Minimum isthmus distance 11mm
- Maximum cutting force 7 kg
- Ergonomic anti-slip bi-component handle for a safe, light and comfortable grip
- Anti-reflection phosphating surface treatment
- Laser marking
- Made in Italy

## RS PRO PCB separator pliers (blade thickness 2.4mm-0.094")

RSPRO Stock No.: 238-0735



RS Professionally Approved Products bring to you professional quality parts across all product categories. Our product range has been tested by engineers and provides a comparable quality to the leading brands without paying a premium price.

## Product Description

- *Made in Italy with special carbon steel and undergo a controlled atmosphere heat treatment.*
- *The anti-reflection phosphating surface treatment ensures an accurate view of the work being carried out.*
- *The tools are joined with grounded holes and surfaces, thereby allowing precise movements.*
- *The anti-slip bi-material dolphin handle is created following ergonomic principles, thus guaranteeing a safe, light and comfortable grip for the operator even when used constantly for many hours*
- *A manual depaneling tool designed to separate PCBs in a quick, economic and safe way, obtaining well-finished cut surfaces; the maximum length of the isthmus (tab) should not exceed 3 mm.*
- *Blade thickness 2.4mm (0.094")*
- *Maximum PCB thickness 1.6mm*
- *Minimum isthmus distance 11mm*
- *Maximum cutting force 7 kg*

## General Specifications

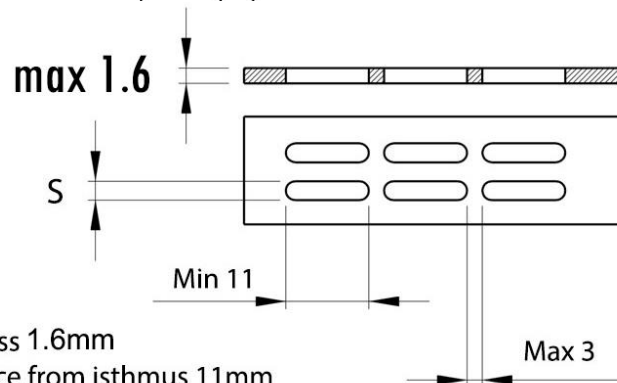
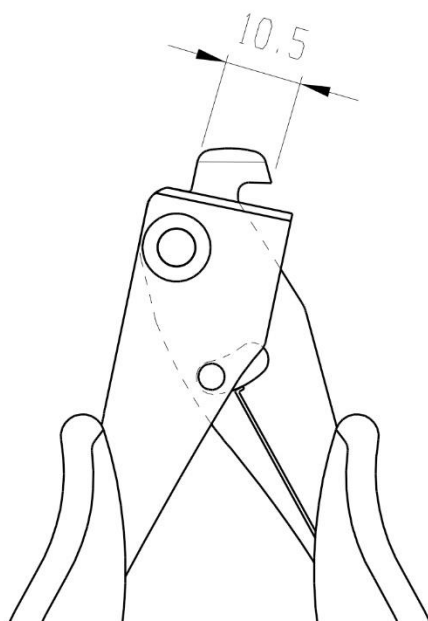
<b>Blade Thickness</b>	2.4mm – 0.094"
<b>Non-Sparking</b>	Yes
<b>Material</b>	Carbon Steel
<b>Number Of Pieces</b>	1
<b>Finish</b>	Anti-reflection phosphating surface treatment, red grip

## Electrical Specifications

<b>ESD Safe</b>	no
-----------------	----

## Mechanical Specifications

<b>Overall Length</b>	147mm
<b>Weight</b>	100g
<b>Steel Thickness</b>	3mm



Max PCB thickness 1.6mm  
Minimum distance from isthmus 11mm  
Max length isthmus 3mm