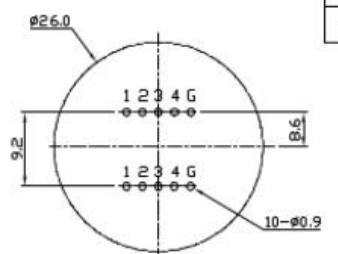
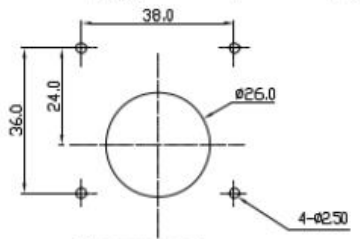
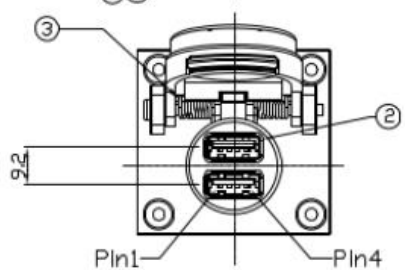
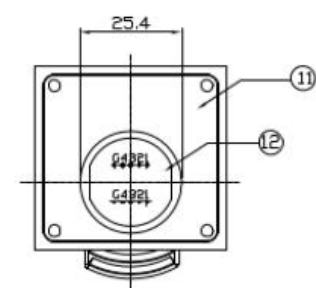
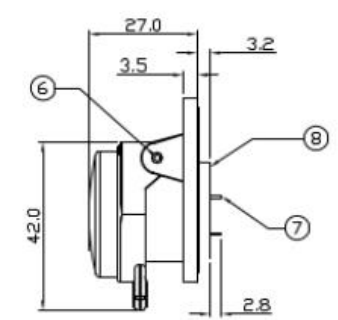
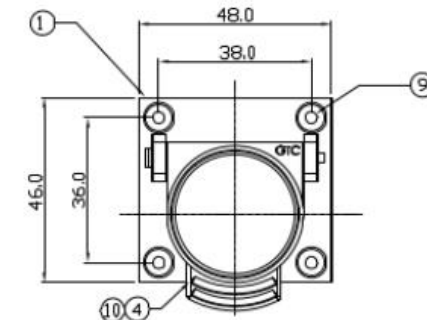
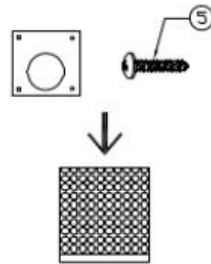




Notes: (Unless Otherwise Specified)

1. Waterproof Rate: IP65.
2. Recommend Panel Thickness: 0.8 to 3.0 mm.
3. RoHS Compliant.
4. 螺絲與灰紙板單獨用汽泡袋包裝.
5. USB-A Receptacle Pin針需插在泡棉上.

REV	ECN#	DESCRIPTION OF REVISION	DRAW BY DATE	CHECK BY DATE	APPROVE BY DATE
01			Pater 01/20/14	Ray 01/20/14	Ray 01/20/14



USB-A TYPE			
Pin	Name	Function	Mating Cable Color
1	VBUS	+5 VDC	Red
2	D-	Data-	White
3	D+	Data+	Green
4	GND	Ground	Black
G	SHLD	Shield-Drain Wire	Bare Silver Wire

12	Glue	Epoxy Color: Black	
11	Gasket	Silicone Color: Black	1
10	Rubber Pad	Silicone Color: Black	1
9	Screw Gasket	EPDM Color: Black	4
8	PCB	FR-4 Color: Green	1
7	Pin Header	Housing: Thermoplastic, Color: Black Contacts: Copper Alloy, Finish: Gold Flash	2
6	Rivet	Aluminum Finish-	1
5	Screw	Stainless(TPD) Finish-	4
4	Cap	Thermoplastic Color: Black	1
3	Spring	Stainless Finish-	1
2	USB-A Receptacle	Housing: Thermoplastic, Color: Black Contacts: Copper Alloy, Finish: Au Plated Shell: Copper Alloy, Finish: Ni Plated	2
1	Housing	Thermoplastic Color: Black	1
Item	Part Name	Material / Finish	Qty

Recommend Panel Cut-Out Scale 1:1

Recommend PCB Layout Scale 2:1

THIRD ANGLE PROJECTION		SIZE	SCALE	DRAW / DATE	CHECK / DATE	APPROVE / DATE	TOLERANCES	UNIT	SHEET
		B	1:1	Pater 01/20/14	Ray 01/20/14	Ray 01/20/14	XX ± 0.5 XXX ± 0.2	mm	1/1
							XXXX ± 0.05 ANGLES ± 1°		

RS Stock No
111-6753