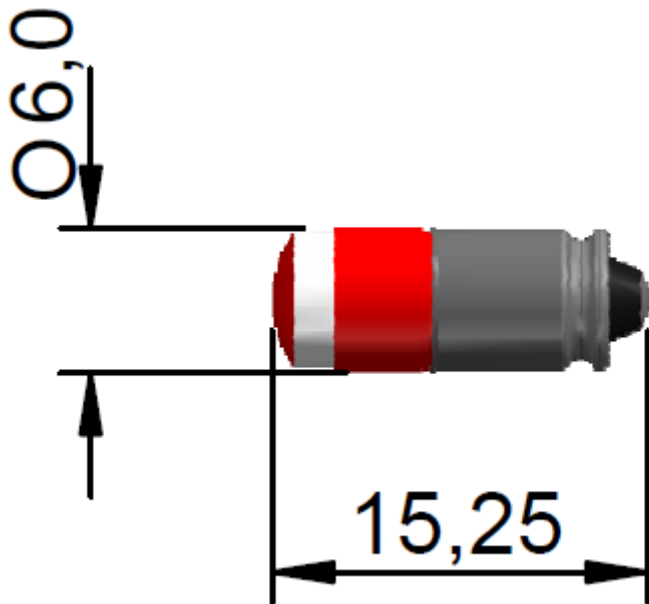


Datasheet

LED Indicator Lamp

RS Stock number 204-675

Dimensions (mm):



Specifications:

LED/Multiled	<i>Multiled</i>	Optimum voltage (V)	<i>28Vdc</i>	Intensity	<i>40mcd</i>
Mounting Size	<i>TI 3/4</i>	Rectifier	-		
Mounting Finish	-	AC current	-		
Protection	-	DC current	<i>20mA</i>		
Mount Holder	<i>Midget Groove</i>	Voltage Tolerance (%)	<i>10%</i>		
Chip Qty	<i>6</i>	Optimum temperature (°C)	<i>-30°C...+65°C</i>		
Indicator colour	<i>Red</i>	Storage temperature (°C)	<i>-30°C...+65°C</i>		
Wavelength (nm)	<i>630</i>	Contact Tab	<i>Midget Groove</i>		