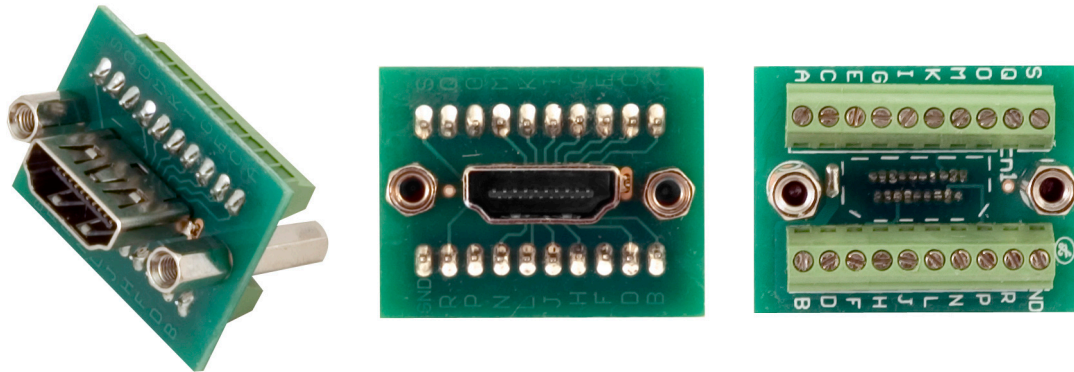


Datasheet

Type A Female HDMI Connector

Stock No: 724-8959



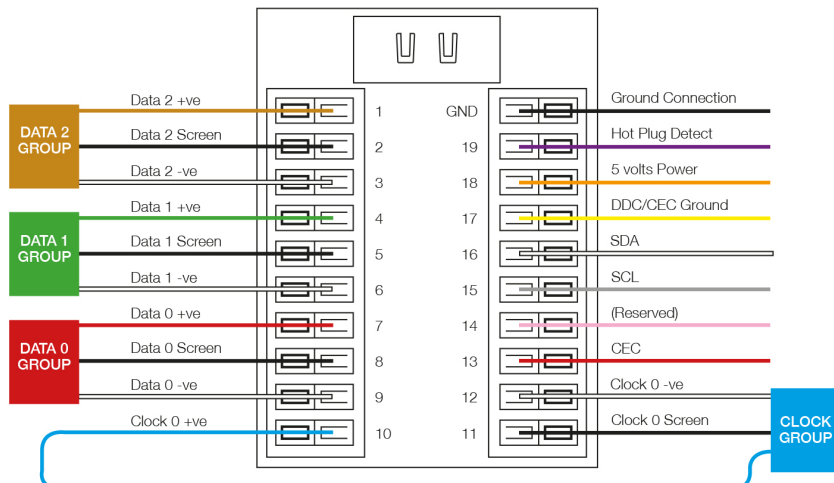
Technical Specifications:

Model:	724-8959:
Termination Method	Screw Down
Gender	Female
Body Orientation	Straight
Size	Type A

Features & Benefits:

- Screw terminal HDMI unit
- Ideal for all installation scenarios
- Connector type A - HDMI socket
- Connector Type B - Screw Terminal

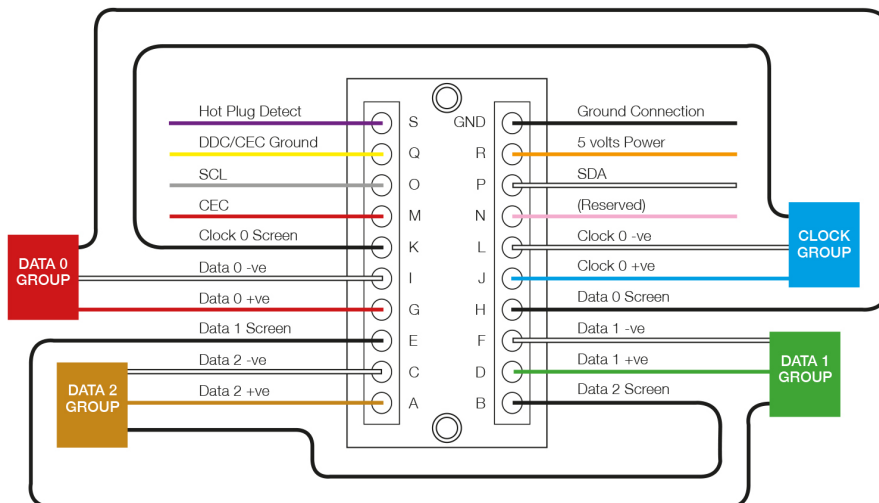
HDMI-FRL Wiring Diagrams:



For Use On Parts:

- CLB45-HDMI-180-F/F
- CLB45-HDMI-90-F/F
- CLB45-HDMI-T
- CLB50-HDMI-180-F/F
- CLB50-HDMI-90-F/F
- CLB50-HDMI-T

* Please note that when terminating HDMI-FRL cables to the Conec2 Module range, Ferrule-end sleeves will first need to be removed.



★ Using Clever Little Box HDMI-FRL Series cables ONLY
 ★ For use on part CLB-HDMIPCBUNIT

