

High Current Ceramic Micro Fuse **multicomp** PRO

RoHS
Compliant



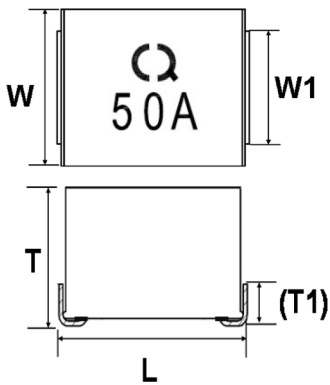
Specification

Voltage Rating : 80V
Ampere Rating : 20A to 100A

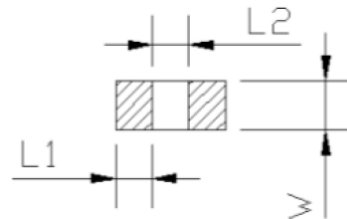
Applications

- Power Tool (Lithium Battery, Rechargeable)
- Electric Assistant Bicycle

Dimensions



| Type | Value |
|------|------------|
| L | 7.3 ±0.5mm |
| W | 5.8 ±0.5mm |
| T | 4 ±0.5mm |
| W1 | 4.2 ±0.2mm |
| T1 | 1.3 ±0.3mm |



| Recommended Pad Layout | |
|------------------------|-------|
| L1 | 2.7mm |
| L2 | 4.4mm |
| W | 5.8mm |

Electrical Characteristics

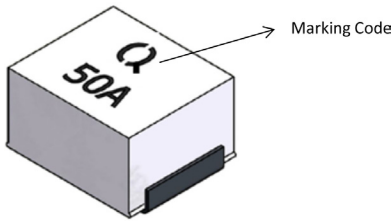
- Loading Capacity: Through the 100% rating current ($1.0 \times I_n$) loading, and keep current continuously without any melting. (Can keep 4 hours minimum)
- Temperature: Loading the 100% ($1.0 \times I_n$) for 1.5 hours, keep testing it with the original current every 10 minutes. Continue to test it for 3 times. The temperature is not allowed to be higher. The main temperature rise is below 200°C by way of Thermocouple Method.
- Melting due to overloading: Details as follows Table.

Operating Characteristics

| Ampere Rating | Opening Time | | | |
|---------------|--------------|------|-------|--------|
| | 1In | | 2.5In | |
| | Min. | Max. | Min. | Max. |
| 20A to 100A | 4 hr | | | 60 Sec |

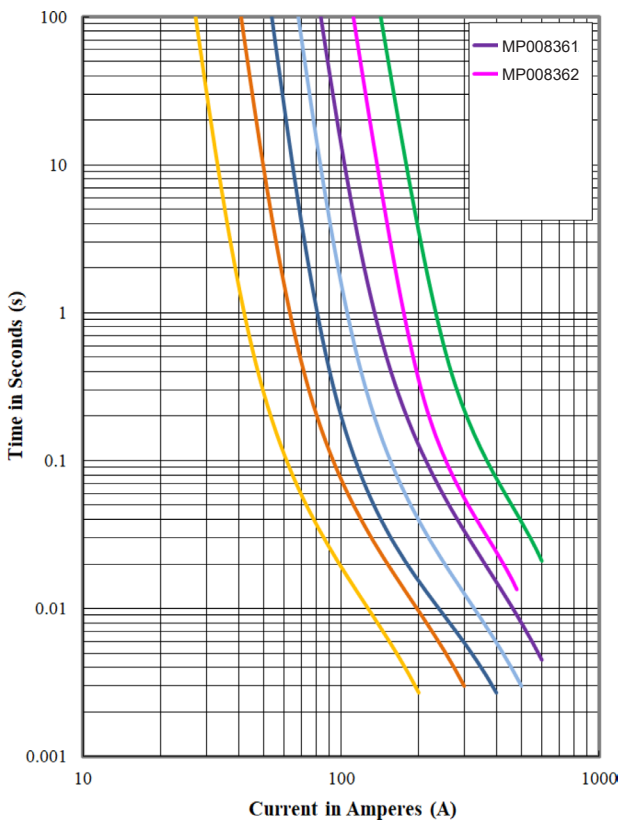
High Current Ceramic Micro Fuse **multicomp** PRO

Materials

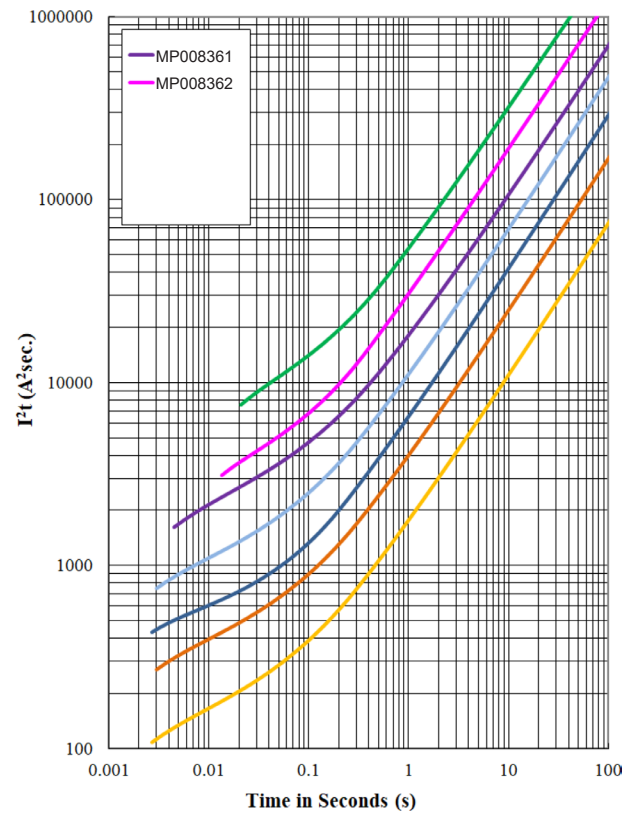


| Name | Material | Quantity |
|---------|---------------------------|----------|
| Cover | Ceramic carrier | 1 |
| Element | Copper(Tin Plated Copper) | |
| Bottom | Ceramic plate | |
| Package | Silicone | - |
| Marking | UV Ink | |

Clear Time Curve



Average I²t VS. t Curve



Part Number Table

| Description | Part Number |
|-------------------------------------|-------------|
| High Current Ceramic Fuse, 60A, 80V | MP008361 |
| High Current Ceramic Fuse, 80A, 80V | MP008362 |

Note : Packaging options available.

Important Notice : This data sheet and its contents (the "Information") belong to the members of the AVNET group of companies (the "Group") or are licensed to it. No licence is granted for the use of it other than for information purposes in connection with the products to which it relates. No licence of any intellectual property rights is granted. The Information is subject to change without notice and replaces all data sheets previously supplied. The Information supplied is believed to be accurate but the Group assumes no responsibility for its accuracy or completeness, any error in or omission from it or for any use made of it. Users of this data sheet should check for themselves the Information and the suitability of the products for their purpose and not make any assumptions based on information included or omitted. Liability for loss or damage resulting from any reliance on the Information or use of it (including liability resulting from negligence or where the Group was aware of the possibility of such loss or damage arising) is excluded. This will not operate to limit or restrict the Group's liability for death or personal injury resulting from its negligence. Multicomp Pro is the registered trademark of Premier Farnell Limited 2019.

Newark.com/multicomp-pro
 Farnell.com/multicomp-pro
 Element14.com/multicomp-pro

multicomp PRO