

# Thin Film Chip Resistors

## MCTC05 Series

multicomp<sup>PRO</sup>



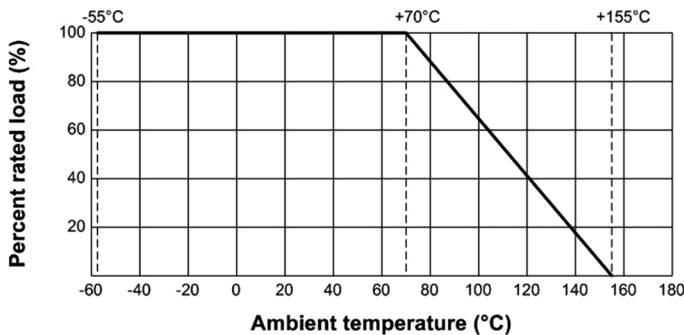
RoHS  
Compliant

### Specifications

Case Size	: 0805
Power Rating at 70°C	: 0.125W (1/8W)
Max. Working Voltage	: 150V
Max. Overload Voltage	: 300V
Dielectric Withstanding Voltage	: 500V
Temperature Range	: -55°C to +155°C
Ambient Temperature	: 70°C
Resistance Tolerance	: ±0.1%
Resistance Range	: 10Ω to 1MΩ

### Power Rating

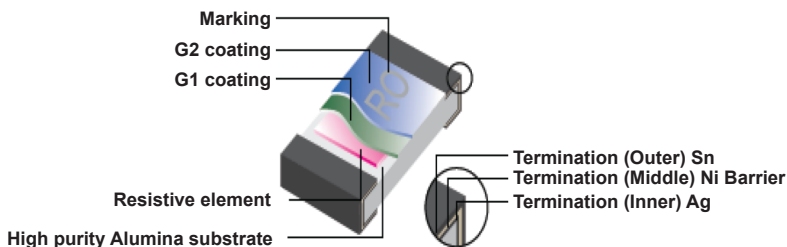
Resistors shall have a power rating based on continuous load operation at an ambient temperature of 70°C. The load shall be derate as shown in below figure.



### Nominal Resistance

Effective figures of nominal resistance shall be in accordance with E-24 and E-96 series. E-96 series for 1%, 0.5%, 0.25%, 0.1% and E-24 series for 2%, 5%, 10%

### Construction

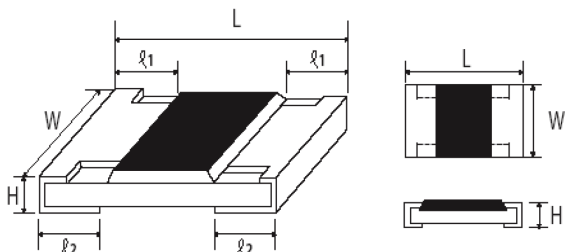


# Thin Film Chip Resistors

## MCTC05 Series

**multicomp** PRO

### Dimensions and Power Rating



Series	L	W	H	l1	l2
MCTC05	2 ±0.15	1.25 <sup>+0.15</sup> <sub>-0.1</sub>	0.55 ±0.1	0.3 ±0.2	0.4 ±0.2

Dimensions : Millimetres

Series	Power Rating at 70°C	Tolerance %	Resistance Range	Standard Series	PPM/°C
MCTC05	0.125W (1/8W)	±0.1	10Ω to 1MΩ	E-96	25

### Performance Specification

Characteristics	Limits	Test Methods (JIS C 5201-1)
Temperature Coefficient	±25 PPM/°C	Natural resistance change per temperature degree centigrade. $\frac{R_2 - R_1}{R_1(t_2 - t_1)} \times 10^6 \text{ (PPM/°C)}$ R1: Resistance value at room temperature (t1) R2: Resistance value at room temp. plus 100°C (t2)
Short time Overload	ΔR/R: ±0.5%	Permanent resistance change after the application of 2.5 times RCWV for 5 seconds
Insulation Resistance	>1000MΩ	Apply 100V DC for 1 minute
Load Life	ΔR/R: ±0.2% >7KΩ ΔR/R ≤ ±0.5%	RCWV 70°C, 1.5hours on, 0.5 hours off, total 1,000 hours.
Humidity (steady state)	ΔR/R: ±0.3%	40°C, 90 to 95%RH, RCWV 1.5 hours on, 0.5 hours off, total 1,000 hours.
Terminal Bending	ΔR/R: ±0.2%	Twist of test board: Y/X = 3/90 mm for 10Seconds
Solderability	95% coverage min.	Wave solder: Test temperature of solder: 245°C ±5°C dipping time in solder: 2~3 seconds.
Soldering Heat	ΔR/R: ±0.2%	Dip the resistor into a solder bath having a temperature of 260°C ±5°C and hold it for 10±1 seconds.

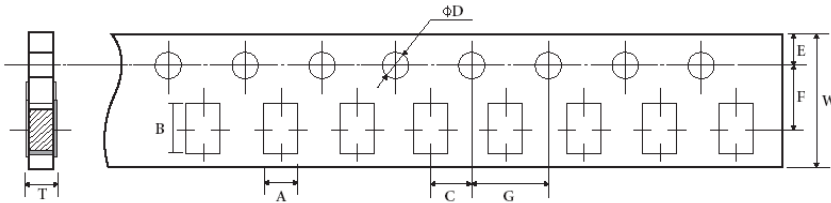
# Thin Film Chip Resistors

## MCTC05 Series

**multicomp** PRO

### Packing Specification

#### Taping Dimension

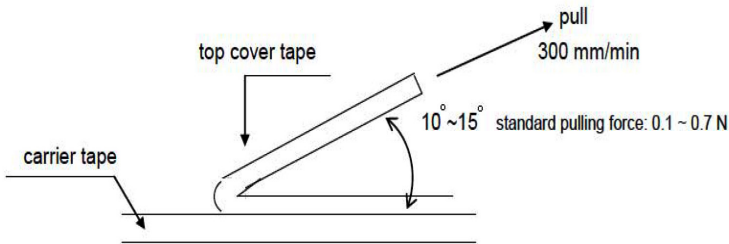


Series	A ±0.2	B ±0.2	C ±0.05	ΦD <sup>+0.1</sup> / <sub>0</sub>	E ±0.1	F ±0.05	G ±0.1	W ±0.2	T ±0.1
MCTC05	1.65	2.4	2	1.5	1.75	3.5	4	8	0.81

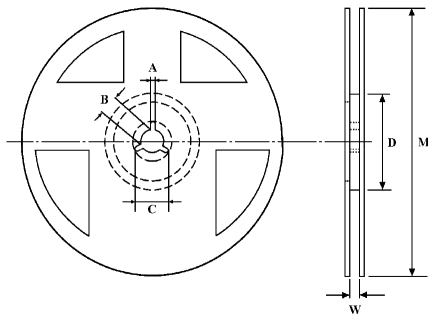
Dimensions : Millimetres

#### Peeling Strength of Top Cover Tape

Test Condition: 0.1 to 0.7 N at a peel-off speed of 300mm / min.



#### Reel Dimension



Series	A ±0.5	B ± 0.5	C ±0.5	D ±1	M ±2	W ±1
MCTC05	2	13	21	60	178	10

Dimensions : Millimetres

**multicomp** PRO

# Thin Film Chip Resistors

## MCTC05 Series

**multicomp** PRO

### Part Number Table

Description	Part Number	Description	Part Number
Resistor, 10R, 0805, 0.1%, 25PPM, 1/8W	MCTC0525B100JT5G	Resistor, 24R9, 0805, 0.1%, 25PPM, 1/8W	MCTC0525B249JT5G
Resistor, 10R2, 0805, 0.1%, 25PPM, 1/8W	MCTC0525B102JT5G	Resistor, 25R5, 0805, 0.1%, 25PPM, 1/8W	MCTC0525B255JT5G
Resistor, 10R5, 0805, 0.1%, 25PPM, 1/8W	MCTC0525B105JT5G	Resistor, 26R1, 0805, 0.1%, 25PPM, 1/8W	MCTC0525B261JT5G
Resistor, 10R7, 0805, 0.1%, 25PPM, 1/8W	MCTC0525B107JT5G	Resistor, 26R7, 0805, 0.1%, 25PPM, 1/8W	MCTC0525B267JT5G
Resistor, 11R, 0805, 0.1%, 25PPM, 1/8W	MCTC0525B110JT5G	Resistor, 27R4, 0805, 0.1%, 25PPM, 1/8W	MCTC0525B274JT5G
Resistor, 11R3, 0805, 0.1%, 25PPM, 1/8W	MCTC0525B113JT5G	Resistor, 28R, 0805, 0.1%, 25PPM, 1/8W	MCTC0525B280JT5G
Resistor, 11R5, 0805, 0.1%, 25PPM, 1/8W	MCTC0525B115JT5G	Resistor, 28R7, 0805, 0.1%, 25PPM, 1/8W	MCTC0525B287JT5G
Resistor, 11R8, 0805, 0.1%, 25PPM, 1/8W	MCTC0525B118JT5G	Resistor, 29R4, 0805, 0.1%, 25PPM, 1/8W	MCTC0525B294JT5G
Resistor, 12R1, 0805, 0.1%, 25PPM, 1/8W	MCTC0525B121JT5G	Resistor, 30R1, 0805, 0.1%, 25PPM, 1/8W	MCTC0525B301JT5G
Resistor, 12R4, 0805, 0.1%, 25PPM, 1/8W	MCTC0525B124JT5G	Resistor, 30R9, 0805, 0.1%, 25PPM, 1/8W	MCTC0525B309JT5G
Resistor, 12R7, 0805, 0.1%, 25PPM, 1/8W	MCTC0525B127JT5G	Resistor, 31R6, 0805, 0.1%, 25PPM, 1/8W	MCTC0525B316JT5G
Resistor, 13R, 0805, 0.1%, 25PPM, 1/8W	MCTC0525B130JT5G	Resistor, 32R4, 0805, 0.1%, 25PPM, 1/8W	MCTC0525B324JT5G
Resistor, 13R3, 0805, 0.1%, 25PPM, 1/8W	MCTC0525B133JT5G	Resistor, 33R2, 0805, 0.1%, 25PPM, 1/8W	MCTC0525B332JT5G
Resistor, 13R7, 0805, 0.1%, 25PPM, 1/8W	MCTC0525B137JT5G	Resistor, 34R, 0805, 0.1%, 25PPM, 1/8W	MCTC0525B340JT5G
Resistor, 14R, 0805, 0.1%, 25PPM, 1/8W	MCTC0525B140JT5G	Resistor, 34R8, 0805, 0.1%, 25PPM, 1/8W	MCTC0525B348JT5G
Resistor, 14R3, 0805, 0.1%, 25PPM, 1/8W	MCTC0525B143JT5G	Resistor, 35R7, 0805, 0.1%, 25PPM, 1/8W	MCTC0525B357JT5G
Resistor, 14R7, 0805, 0.1%, 25PPM, 1/8W	MCTC0525B147JT5G	Resistor, 36R5, 0805, 0.1%, 25PPM, 1/8W	MCTC0525B365JT5G
Resistor, 15R, 0805, 0.1%, 25PPM, 1/8W	MCTC0525B150JT5G	Resistor, 37R4, 0805, 0.1%, 25PPM, 1/8W	MCTC0525B374JT5G
Resistor, 15R4, 0805, 0.1%, 25PPM, 1/8W	MCTC0525B154JT5G	Resistor, 38R3, 0805, 0.1%, 25PPM, 1/8W	MCTC0525B383JT5G
Resistor, 15R8, 0805, 0.1%, 25PPM, 1/8W	MCTC0525B158JT5G	Resistor, 39R2, 0805, 0.1%, 25PPM, 1/8W	MCTC0525B392JT5G
Resistor, 16R2, 0805, 0.1%, 25PPM, 1/8W	MCTC0525B162JT5G	Resistor, 40R2, 0805, 0.1%, 25PPM, 1/8W	MCTC0525B402JT5G
Resistor, 16R5, 0805, 0.1%, 25PPM, 1/8W	MCTC0525B165JT5G	Resistor, 41R2, 0805, 0.1%, 25PPM, 1/8W	MCTC0525B412JT5G
Resistor, 16R9, 0805, 0.1%, 25PPM, 1/8W	MCTC0525B169JT5G	Resistor, 42R2, 0805, 0.1%, 25PPM, 1/8W	MCTC0525B422JT5G
Resistor, 17R4, 0805, 0.1%, 25PPM, 1/8W	MCTC0525B174JT5G	Resistor, 43R2, 0805, 0.1%, 25PPM, 1/8W	MCTC0525B432JT5G
Resistor, 17R8, 0805, 0.1%, 25PPM, 1/8W	MCTC0525B178JT5G	Resistor, 44R2, 0805, 0.1%, 25PPM, 1/8W	MCTC0525B442JT5G
Resistor, 18R2, 0805, 0.1%, 25PPM, 1/8W	MCTC0525B182JT5G	Resistor, 45R3, 0805, 0.1%, 25PPM, 1/8W	MCTC0525B453JT5G
Resistor, 18R7, 0805, 0.1%, 25PPM, 1/8W	MCTC0525B187JT5G	Resistor, 46R4, 0805, 0.1%, 25PPM, 1/8W	MCTC0525B464JT5G
Resistor, 19R1, 0805, 0.1%, 25PPM, 1/8W	MCTC0525B191JT5G	Resistor, 47R5, 0805, 0.1%, 25PPM, 1/8W	MCTC0525B475JT5G
Resistor, 19R6, 0805, 0.1%, 25PPM, 1/8W	MCTC0525B196JT5G	Resistor, 48R7, 0805, 0.1%, 25PPM, 1/8W	MCTC0525B487JT5G
Resistor, 20R, 0805, 0.1%, 25PPM, 1/8W	MCTC0525B200JT5G	Resistor, 49R9, 0805, 0.1%, 25PPM, 1/8W	MCTC0525B499JT5G
Resistor, 20R5, 0805, 0.1%, 25PPM, 1/8W	MCTC0525B205JT5G	Resistor, 51R1, 0805, 0.1%, 25PPM, 1/8W	MCTC0525B511JT5G
Resistor, 21R, 0805, 0.1%, 25PPM, 1/8W	MCTC0525B210JT5G	Resistor, 52R3, 0805, 0.1%, 25PPM, 1/8W	MCTC0525B523JT5G
Resistor, 21R5, 0805, 0.1%, 25PPM, 1/8W	MCTC0525B215JT5G	Resistor, 53R6, 0805, 0.1%, 25PPM, 1/8W	MCTC0525B536JT5G
Resistor, 22R1, 0805, 0.1%, 25PPM, 1/8W	MCTC0525B221JT5G	Resistor, 54R9, 0805, 0.1%, 25PPM, 1/8W	MCTC0525B549JT5G
Resistor, 22R6, 0805, 0.1%, 25PPM, 1/8W	MCTC0525B226JT5G	Resistor, 56R2, 0805, 0.1%, 25PPM, 1/8W	MCTC0525B562JT5G
Resistor, 23R2, 0805, 0.1%, 25PPM, 1/8W	MCTC0525B232JT5G	Resistor, 57R6, 0805, 0.1%, 25PPM, 1/8W	MCTC0525B576JT5G
Resistor, 23R7, 0805, 0.1%, 25PPM, 1/8W	MCTC0525B237JT5G	Resistor, 59R, 0805, 0.1%, 25PPM, 1/8W	MCTC0525B590JT5G
Resistor, 24R3, 0805, 0.1%, 25PPM, 1/8W	MCTC0525B243JT5G	Resistor, 60R4, 0805, 0.1%, 25PPM, 1/8W	MCTC0525B604JT5G

Newark.com/multicomp-pro  
 Farnell.com/multicomp-pro  
 sg.element14.com/b/multicomp-pro

**multicomp** PRO

# Thin Film Chip Resistors

## MCTC05 Series

**multicomp** PRO

Description	Part Number	Description	Part Number
Resistor, 61R9, 0805, 0.1%, 25PPM, 1/8W	MCTC0525B619JT5G	Resistor, 154R, 0805, 0.1%, 25PPM, 1/8W	MCTC0525B1540T5G
Resistor, 63R4, 0805, 0.1%, 25PPM, 1/8W	MCTC0525B634JT5G	Resistor, 158R, 0805, 0.1%, 25PPM, 1/8W	MCTC0525B1580T5G
Resistor, 64R9, 0805, 0.1%, 25PPM, 1/8W	MCTC0525B649JT5G	Resistor, 162R, 0805, 0.1%, 25PPM, 1/8W	MCTC0525B1620T5G
Resistor, 66R5, 0805, 0.1%, 25PPM, 1/8W	MCTC0525B665JT5G	Resistor, 165R, 0805, 0.1%, 25PPM, 1/8W	MCTC0525B1650T5G
Resistor, 68R1, 0805, 0.1%, 25PPM, 1/8W	MCTC0525B681JT5G	Resistor, 169R, 0805, 0.1%, 25PPM, 1/8W	MCTC0525B1690T5G
Resistor, 69R8, 0805, 0.1%, 25PPM, 1/8W	MCTC0525B698JT5G	Resistor, 174R, 0805, 0.1%, 25PPM, 1/8W	MCTC0525B1740T5G
Resistor, 71R5, 0805, 0.1%, 25PPM, 1/8W	MCTC0525B715JT5G	Resistor, 178R, 0805, 0.1%, 25PPM, 1/8W	MCTC0525B1780T5G
Resistor, 73R2, 0805, 0.1%, 25PPM, 1/8W	MCTC0525B732JT5G	Resistor, 182R, 0805, 0.1%, 25PPM, 1/8W	MCTC0525B1820T5G
Resistor, 75R, 0805, 0.1%, 25PPM, 1/8W	MCTC0525B750JT5G	Resistor, 187R, 0805, 0.1%, 25PPM, 1/8W	MCTC0525B1870T5G
Resistor, 76R8, 0805, 0.1%, 25PPM, 1/8W	MCTC0525B768JT5G	Resistor, 191R, 0805, 0.1%, 25PPM, 1/8W	MCTC0525B1910T5G
Resistor, 78R7, 0805, 0.1%, 25PPM, 1/8W	MCTC0525B787JT5G	Resistor, 196R, 0805, 0.1%, 25PPM, 1/8W	MCTC0525B1960T5G
Resistor, 80R6, 0805, 0.1%, 25PPM, 1/8W	MCTC0525B806JT5G	Resistor, 200R, 0805, 0.1%, 25PPM, 1/8W	MCTC0525B2000T5G
Resistor, 82R5, 0805, 0.1%, 25PPM, 1/8W	MCTC0525B825JT5G	Resistor, 205R, 0805, 0.1%, 25PPM, 1/8W	MCTC0525B2050T5G
Resistor, 84R5, 0805, 0.1%, 25PPM, 1/8W	MCTC0525B845JT5G	Resistor, 210R, 0805, 0.1%, 25PPM, 1/8W	MCTC0525B2100T5G
Resistor, 86R6, 0805, 0.1%, 25PPM, 1/8W	MCTC0525B866JT5G	Resistor, 215R, 0805, 0.1%, 25PPM, 1/8W	MCTC0525B2150T5G
Resistor, 88R7, 0805, 0.1%, 25PPM, 1/8W	MCTC0525B887JT5G	Resistor, 221R, 0805, 0.1%, 25PPM, 1/8W	MCTC0525B2210T5G
Resistor, 90R9, 0805, 0.1%, 25PPM, 1/8W	MCTC0525B909JT5G	Resistor, 226R, 0805, 0.1%, 25PPM, 1/8W	MCTC0525B2260T5G
Resistor, 93R1, 0805, 0.1%, 25PPM, 1/8W	MCTC0525B931JT5G	Resistor, 232R, 0805, 0.1%, 25PPM, 1/8W	MCTC0525B2320T5G
Resistor, 95R3, 0805, 0.1%, 25PPM, 1/8W	MCTC0525B953JT5G	Resistor, 237R, 0805, 0.1%, 25PPM, 1/8W	MCTC0525B2370T5G
Resistor, 97R6, 0805, 0.1%, 25PPM, 1/8W	MCTC0525B976JT5G	Resistor, 243R, 0805, 0.1%, 25PPM, 1/8W	MCTC0525B2430T5G
Resistor, 100R, 0805, 0.1%, 25PPM, 1/8W	MCTC0525B1000T5G	Resistor, 249R, 0805, 0.1%, 25PPM, 1/8W	MCTC0525B2490T5G
Resistor, 102R, 0805, 0.1%, 25PPM, 1/8W	MCTC0525B1020T5G	Resistor, 255R, 0805, 0.1%, 25PPM, 1/8W	MCTC0525B2550T5G
Resistor, 105R, 0805, 0.1%, 25PPM, 1/8W	MCTC0525B1050T5G	Resistor, 261R, 0805, 0.1%, 25PPM, 1/8W	MCTC0525B2610T5G
Resistor, 107R, 0805, 0.1%, 25PPM, 1/8W	MCTC0525B1070T5G	Resistor, 267R, 0805, 0.1%, 25PPM, 1/8W	MCTC0525B2670T5G
Resistor, 110R, 0805, 0.1%, 25PPM, 1/8W	MCTC0525B1100T5G	Resistor, 274R, 0805, 0.1%, 25PPM, 1/8W	MCTC0525B2740T5G
Resistor, 113R, 0805, 0.1%, 25PPM, 1/8W	MCTC0525B1130T5G	Resistor, 280R, 0805, 0.1%, 25PPM, 1/8W	MCTC0525B2800T5G
Resistor, 115R, 0805, 0.1%, 25PPM, 1/8W	MCTC0525B1150T5G	Resistor, 287R, 0805, 0.1%, 25PPM, 1/8W	MCTC0525B2870T5G
Resistor, 118R, 0805, 0.1%, 25PPM, 1/8W	MCTC0525B1180T5G	Resistor, 294R, 0805, 0.1%, 25PPM, 1/8W	MCTC0525B2940T5G
Resistor, 121R, 0805, 0.1%, 25PPM, 1/8W	MCTC0525B1210T5G	Resistor, 301R, 0805, 0.1%, 25PPM, 1/8W	MCTC0525B3010T5G
Resistor, 124R, 0805, 0.1%, 25PPM, 1/8W	MCTC0525B1240T5G	Resistor, 309R, 0805, 0.1%, 25PPM, 1/8W	MCTC0525B3090T5G
Resistor, 127R, 0805, 0.1%, 25PPM, 1/8W	MCTC0525B1270T5G	Resistor, 316R, 0805, 0.1%, 25PPM, 1/8W	MCTC0525B3160T5G
Resistor, 130R, 0805, 0.1%, 25PPM, 1/8W	MCTC0525B1300T5G	Resistor, 324R, 0805, 0.1%, 25PPM, 1/8W	MCTC0525B3240T5G
Resistor, 133R, 0805, 0.1%, 25PPM, 1/8W	MCTC0525B1330T5G	Resistor, 332R, 0805, 0.1%, 25PPM, 1/8W	MCTC0525B3320T5G
Resistor, 137R, 0805, 0.1%, 25PPM, 1/8W	MCTC0525B1370T5G	Resistor, 340R, 0805, 0.1%, 25PPM, 1/8W	MCTC0525B3400T5G
Resistor, 140R, 0805, 0.1%, 25PPM, 1/8W	MCTC0525B1400T5G	Resistor, 348R, 0805, 0.1%, 25PPM, 1/8W	MCTC0525B3480T5G
Resistor, 143R, 0805, 0.1%, 25PPM, 1/8W	MCTC0525B1430T5G	Resistor, 357R, 0805, 0.1%, 25PPM, 1/8W	MCTC0525B3570T5G
Resistor, 147R, 0805, 0.1%, 25PPM, 1/8W	MCTC0525B1470T5G	Resistor, 365R, 0805, 0.1%, 25PPM, 1/8W	MCTC0525B3650T5G
Resistor, 150R, 0805, 0.1%, 25PPM, 1/8W	MCTC0525B1500T5G	Resistor, 374R, 0805, 0.1%, 25PPM, 1/8W	MCTC0525B3740T5G

Newark.com/multicomp-pro  
 Farnell.com/multicomp-pro  
 sg.element14.com/b/multicomp-pro

**multicomp** PRO

# Thin Film Chip Resistors

## MCTC05 Series

**multicomp** PRO

Description	Part Number	Description	Part Number
Resistor, 383R, 0805, 0.1%, 25PPM, 1/8W	MCTC0525B3830T5G	Resistor, 953R, 0805, 0.1%, 25PPM, 1/8W	MCTC0525B9530T5G
Resistor, 392R, 0805, 0.1%, 25PPM, 1/8W	MCTC0525B3920T5G	Resistor, 976R, 0805, 0.1%, 25PPM, 1/8W	MCTC0525B9760T5G
Resistor, 402R, 0805, 0.1%, 25PPM, 1/8W	MCTC0525B4020T5G	Resistor, 1K, 0805, 0.1%, 25PPM, 1/8W	MCTC0525B1001T5G
Resistor, 412R, 0805, 0.1%, 25PPM, 1/8W	MCTC0525B4120T5G	Resistor, 1K02, 0805, 0.1%, 25PPM, 1/8W	MCTC0525B1021T5G
Resistor, 422R, 0805, 0.1%, 25PPM, 1/8W	MCTC0525B4220T5G	Resistor, 1K05, 0805, 0.1%, 25PPM, 1/8W	MCTC0525B1051T5G
Resistor, 432R, 0805, 0.1%, 25PPM, 1/8W	MCTC0525B4320T5G	Resistor, 1K07, 0805, 0.1%, 25PPM, 1/8W	MCTC0525B1071T5G
Resistor, 442R, 0805, 0.1%, 25PPM, 1/8W	MCTC0525B4420T5G	Resistor, 1K1, 0805, 0.1%, 25PPM, 1/8W	MCTC0525B1101T5G
Resistor, 453R, 0805, 0.1%, 25PPM, 1/8W	MCTC0525B4530T5G	Resistor, 1K13, 0805, 0.1%, 25PPM, 1/8W	MCTC0525B1131T5G
Resistor, 464R, 0805, 0.1%, 25PPM, 1/8W	MCTC0525B4640T5G	Resistor, 1K15, 0805, 0.1%, 25PPM, 1/8W	MCTC0525B1151T5G
Resistor, 475R, 0805, 0.1%, 25PPM, 1/8W	MCTC0525B4750T5G	Resistor, 1K18, 0805, 0.1%, 25PPM, 1/8W	MCTC0525B1181T5G
Resistor, 487R, 0805, 0.1%, 25PPM, 1/8W	MCTC0525B4870T5G	Resistor, 1K21, 0805, 0.1%, 25PPM, 1/8W	MCTC0525B1211T5G
Resistor, 499R, 0805, 0.1%, 25PPM, 1/8W	MCTC0525B4990T5G	Resistor, 1K24, 0805, 0.1%, 25PPM, 1/8W	MCTC0525B1241T5G
Resistor, 511R, 0805, 0.1%, 25PPM, 1/8W	MCTC0525B5110T5G	Resistor, 1K27, 0805, 0.1%, 25PPM, 1/8W	MCTC0525B1271T5G
Resistor, 523R, 0805, 0.1%, 25PPM, 1/8W	MCTC0525B5230T5G	Resistor, 1K3, 0805, 0.1%, 25PPM, 1/8W	MCTC0525B1301T5G
Resistor, 536R, 0805, 0.1%, 25PPM, 1/8W	MCTC0525B5360T5G	Resistor, 1K33, 0805, 0.1%, 25PPM, 1/8W	MCTC0525B1331T5G
Resistor, 549R, 0805, 0.1%, 25PPM, 1/8W	MCTC0525B5490T5G	Resistor, 1K37, 0805, 0.1%, 25PPM, 1/8W	MCTC0525B1371T5G
Resistor, 562R, 0805, 0.1%, 25PPM, 1/8W	MCTC0525B5620T5G	Resistor, 1K4, 0805, 0.1%, 25PPM, 1/8W	MCTC0525B1401T5G
Resistor, 576R, 0805, 0.1%, 25PPM, 1/8W	MCTC0525B5760T5G	Resistor, 1K43, 0805, 0.1%, 25PPM, 1/8W	MCTC0525B1431T5G
Resistor, 590R, 0805, 0.1%, 25PPM, 1/8W	MCTC0525B5900T5G	Resistor, 1K47, 0805, 0.1%, 25PPM, 1/8W	MCTC0525B1471T5G
Resistor, 604R, 0805, 0.1%, 25PPM, 1/8W	MCTC0525B6040T5G	Resistor, 1K5, 0805, 0.1%, 25PPM, 1/8W	MCTC0525B1501T5G
Resistor, 619R, 0805, 0.1%, 25PPM, 1/8W	MCTC0525B6190T5G	Resistor, 1K54, 0805, 0.1%, 25PPM, 1/8W	MCTC0525B1541T5G
Resistor, 634R, 0805, 0.1%, 25PPM, 1/8W	MCTC0525B6340T5G	Resistor, 1K58, 0805, 0.1%, 25PPM, 1/8W	MCTC0525B1581T5G
Resistor, 649R, 0805, 0.1%, 25PPM, 1/8W	MCTC0525B6490T5G	Resistor, 1K62, 0805, 0.1%, 25PPM, 1/8W	MCTC0525B1621T5G
Resistor, 665R, 0805, 0.1%, 25PPM, 1/8W	MCTC0525B6650T5G	Resistor, 1K65, 0805, 0.1%, 25PPM, 1/8W	MCTC0525B1651T5G
Resistor, 681R, 0805, 0.1%, 25PPM, 1/8W	MCTC0525B6810T5G	Resistor, 1K69, 0805, 0.1%, 25PPM, 1/8W	MCTC0525B1691T5G
Resistor, 698R, 0805, 0.1%, 25PPM, 1/8W	MCTC0525B6980T5G	Resistor, 1K74, 0805, 0.1%, 25PPM, 1/8W	MCTC0525B1741T5G
Resistor, 715R, 0805, 0.1%, 25PPM, 1/8W	MCTC0525B7150T5G	Resistor, 1K78, 0805, 0.1%, 25PPM, 1/8W	MCTC0525B1781T5G
Resistor, 732R, 0805, 0.1%, 25PPM, 1/8W	MCTC0525B7320T5G	Resistor, 1K82, 0805, 0.1%, 25PPM, 1/8W	MCTC0525B1821T5G
Resistor, 750R, 0805, 0.1%, 25PPM, 1/8W	MCTC0525B7500T5G	Resistor, 1K87, 0805, 0.1%, 25PPM, 1/8W	MCTC0525B1871T5G
Resistor, 768R, 0805, 0.1%, 25PPM, 1/8W	MCTC0525B7680T5G	Resistor, 1K91, 0805, 0.1%, 25PPM, 1/8W	MCTC0525B1911T5G
Resistor, 787R, 0805, 0.1%, 25PPM, 1/8W	MCTC0525B7870T5G	Resistor, 1K96, 0805, 0.1%, 25PPM, 1/8W	MCTC0525B1961T5G
Resistor, 806R, 0805, 0.1%, 25PPM, 1/8W	MCTC0525B8060T5G	Resistor, 2K, 0805, 0.1%, 25PPM, 1/8W	MCTC0525B2001T5G
Resistor, 825R, 0805, 0.1%, 25PPM, 1/8W	MCTC0525B8250T5G	Resistor, 2K05, 0805, 0.1%, 25PPM, 1/8W	MCTC0525B2051T5G
Resistor, 845R, 0805, 0.1%, 25PPM, 1/8W	MCTC0525B8450T5G	Resistor, 2K1, 0805, 0.1%, 25PPM, 1/8W	MCTC0525B2101T5G
Resistor, 866R, 0805, 0.1%, 25PPM, 1/8W	MCTC0525B8660T5G	Resistor, 2K15, 0805, 0.1%, 25PPM, 1/8W	MCTC0525B2151T5G
Resistor, 887R, 0805, 0.1%, 25PPM, 1/8W	MCTC0525B8870T5G	Resistor, 2K21, 0805, 0.1%, 25PPM, 1/8W	MCTC0525B2211T5G
Resistor, 909R, 0805, 0.1%, 25PPM, 1/8W	MCTC0525B9090T5G	Resistor, 2K26, 0805, 0.1%, 25PPM, 1/8W	MCTC0525B2261T5G
Resistor, 931R, 0805, 0.1%, 25PPM, 1/8W	MCTC0525B9310T5G	Resistor, 2K32, 0805, 0.1%, 25PPM, 1/8W	MCTC0525B2321T5G

Newark.com/multicomp-pro  
 Farnell.com/multicomp-pro  
 sg.element14.com/b/multicomp-pro

**multicomp** PRO



# Thin Film Chip Resistors

## MCTC05 Series

**multicomp** PRO

Description	Part Number	Description	Part Number
Resistor, 2K37, 0805, 0.1%, 25PPM, 1/8W	MCTC0525B2371T5G	Resistor, 6K04, 0805, 0.1%, 25PPM, 1/8W	MCTC0525B6041T5G
Resistor, 2K43, 0805, 0.1%, 25PPM, 1/8W	MCTC0525B2431T5G	Resistor, 6K19, 0805, 0.1%, 25PPM, 1/8W	MCTC0525B6191T5G
Resistor, 2K49, 0805, 0.1%, 25PPM, 1/8W	MCTC0525B2491T5G	Resistor, 6K34, 0805, 0.1%, 25PPM, 1/8W	MCTC0525B6341T5G
Resistor, 2K55, 0805, 0.1%, 25PPM, 1/8W	MCTC0525B2551T5G	Resistor, 6K49, 0805, 0.1%, 25PPM, 1/8W	MCTC0525B6491T5G
Resistor, 2K61, 0805, 0.1%, 25PPM, 1/8W	MCTC0525B2611T5G	Resistor, 6K65, 0805, 0.1%, 25PPM, 1/8W	MCTC0525B6651T5G
Resistor, 2K67, 0805, 0.1%, 25PPM, 1/8W	MCTC0525B2671T5G	Resistor, 6K81, 0805, 0.1%, 25PPM, 1/8W	MCTC0525B6811T5G
Resistor, 2K74, 0805, 0.1%, 25PPM, 1/8W	MCTC0525B2741T5G	Resistor, 6K98, 0805, 0.1%, 25PPM, 1/8W	MCTC0525B6981T5G
Resistor, 2K8, 0805, 0.1%, 25PPM, 1/8W	MCTC0525B2801T5G	Resistor, 7K15, 0805, 0.1%, 25PPM, 1/8W	MCTC0525B7151T5G
Resistor, 2K87, 0805, 0.1%, 25PPM, 1/8W	MCTC0525B2871T5G	Resistor, 7K32, 0805, 0.1%, 25PPM, 1/8W	MCTC0525B7321T5G
Resistor, 2K94, 0805, 0.1%, 25PPM, 1/8W	MCTC0525B2941T5G	Resistor, 7K5, 0805, 0.1%, 25PPM, 1/8W	MCTC0525B7501T5G
Resistor, 3K01, 0805, 0.1%, 25PPM, 1/8W	MCTC0525B3011T5G	Resistor, 7K68, 0805, 0.1%, 25PPM, 1/8W	MCTC0525B7681T5G
Resistor, 3K09, 0805, 0.1%, 25PPM, 1/8W	MCTC0525B3091T5G	Resistor, 7K87, 0805, 0.1%, 25PPM, 1/8W	MCTC0525B7871T5G
Resistor, 3K16, 0805, 0.1%, 25PPM, 1/8W	MCTC0525B3161T5G	Resistor, 8K06, 0805, 0.1%, 25PPM, 1/8W	MCTC0525B8061T5G
Resistor, 3K24, 0805, 0.1%, 25PPM, 1/8W	MCTC0525B3241T5G	Resistor, 8K25, 0805, 0.1%, 25PPM, 1/8W	MCTC0525B8251T5G
Resistor, 3K32, 0805, 0.1%, 25PPM, 1/8W	MCTC0525B3321T5G	Resistor, 8K45, 0805, 0.1%, 25PPM, 1/8W	MCTC0525B8451T5G
Resistor, 3K4, 0805, 0.1%, 25PPM, 1/8W	MCTC0525B3401T5G	Resistor, 8K66, 0805, 0.1%, 25PPM, 1/8W	MCTC0525B8661T5G
Resistor, 3K57, 0805, 0.1%, 25PPM, 1/8W	MCTC0525B3571T5G	Resistor, 8K87, 0805, 0.1%, 25PPM, 1/8W	MCTC0525B8871T5G
Resistor, 3K65, 0805, 0.1%, 25PPM, 1/8W	MCTC0525B3651T5G	Resistor, 9K09, 0805, 0.1%, 25PPM, 1/8W	MCTC0525B9091T5G
Resistor, 3K74, 0805, 0.1%, 25PPM, 1/8W	MCTC0525B3741T5G	Resistor, 9K31, 0805, 0.1%, 25PPM, 1/8W	MCTC0525B9311T5G
Resistor, 3K83, 0805, 0.1%, 25PPM, 1/8W	MCTC0525B3831T5G	Resistor, 9K53, 0805, 0.1%, 25PPM, 1/8W	MCTC0525B9531T5G
Resistor, 3K92, 0805, 0.1%, 25PPM, 1/8W	MCTC0525B3921T5G	Resistor, 9K76, 0805, 0.1%, 25PPM, 1/8W	MCTC0525B9761T5G
Resistor, 4K02, 0805, 0.1%, 25PPM, 1/8W	MCTC0525B4021T5G	Resistor, 10K, 0805, 0.1%, 25PPM, 1/8W	MCTC0525B1002T5G
Resistor, 4K12, 0805, 0.1%, 25PPM, 1/8W	MCTC0525B4121T5G	Resistor, 10K2, 0805, 0.1%, 25PPM, 1/8W	MCTC0525B1022T5G
Resistor, 4K22, 0805, 0.1%, 25PPM, 1/8W	MCTC0525B4221T5G	Resistor, 10K5, 0805, 0.1%, 25PPM, 1/8W	MCTC0525B1052T5G
Resistor, 4K32, 0805, 0.1%, 25PPM, 1/8W	MCTC0525B4321T5G	Resistor, 10K7, 0805, 0.1%, 25PPM, 1/8W	MCTC0525B1072T5G
Resistor, 4K42, 0805, 0.1%, 25PPM, 1/8W	MCTC0525B4421T5G	Resistor, 11K, 0805, 0.1%, 25PPM, 1/8W	MCTC0525B1102T5G
Resistor, 4K53, 0805, 0.1%, 25PPM, 1/8W	MCTC0525B4531T5G	Resistor, 11K3, 0805, 0.1%, 25PPM, 1/8W	MCTC0525B1132T5G
Resistor, 4K64, 0805, 0.1%, 25PPM, 1/8W	MCTC0525B4641T5G	Resistor, 11K5, 0805, 0.1%, 25PPM, 1/8W	MCTC0525B1152T5G
Resistor, 4K75, 0805, 0.1%, 25PPM, 1/8W	MCTC0525B4751T5G	Resistor, 11K8, 0805, 0.1%, 25PPM, 1/8W	MCTC0525B1182T5G
Resistor, 4K87, 0805, 0.1%, 25PPM, 1/8W	MCTC0525B4871T5G	Resistor, 12K1, 0805, 0.1%, 25PPM, 1/8W	MCTC0525B1212T5G
Resistor, 4K99, 0805, 0.1%, 25PPM, 1/8W	MCTC0525B4991T5G	Resistor, 12K4, 0805, 0.1%, 25PPM, 1/8W	MCTC0525B1242T5G
Resistor, 5K11, 0805, 0.1%, 25PPM, 1/8W	MCTC0525B5111T5G	Resistor, 12K7, 0805, 0.1%, 25PPM, 1/8W	MCTC0525B1272T5G
Resistor, 5K23, 0805, 0.1%, 25PPM, 1/8W	MCTC0525B5231T5G	Resistor, 13K, 0805, 0.1%, 25PPM, 1/8W	MCTC0525B1302T5G
Resistor, 5K36, 0805, 0.1%, 25PPM, 1/8W	MCTC0525B5361T5G	Resistor, 13K3, 0805, 0.1%, 25PPM, 1/8W	MCTC0525B1332T5G
Resistor, 5K49, 0805, 0.1%, 25PPM, 1/8W	MCTC0525B5491T5G	Resistor, 13K7, 0805, 0.1%, 25PPM, 1/8W	MCTC0525B1372T5G
Resistor, 5K62, 0805, 0.1%, 25PPM, 1/8W	MCTC0525B5621T5G	Resistor, 14K, 0805, 0.1%, 25PPM, 1/8W	MCTC0525B1402T5G
Resistor, 5K76, 0805, 0.1%, 25PPM, 1/8W	MCTC0525B5761T5G	Resistor, 14K3, 0805, 0.1%, 25PPM, 1/8W	MCTC0525B1432T5G
Resistor, 5K9, 0805, 0.1%, 25PPM, 1/8W	MCTC0525B5901T5G	Resistor, 14K7, 0805, 0.1%, 25PPM, 1/8W	MCTC0525B1472T5G

Newark.com/multicomp-pro  
 Farnell.com/multicomp-pro  
 sg.element14.com/b/multicomp-pro

**multicomp** PRO

# Thin Film Chip Resistors

## MCTC05 Series

**multicomp** PRO

Description	Part Number	Description	Part Number
Resistor, 15K, 0805, 0.1%, 25PPM, 1/8W	MCTC0525B1502T5G	Resistor, 37K4, 0805, 0.1%, 25PPM, 1/8W	MCTC0525B3742T5G
Resistor, 15K4, 0805, 0.1%, 25PPM, 1/8W	MCTC0525B1542T5G	Resistor, 38K3, 0805, 0.1%, 25PPM, 1/8W	MCTC0525B3832T5G
Resistor, 15K8, 0805, 0.1%, 25PPM, 1/8W	MCTC0525B1582T5G	Resistor, 39K2, 0805, 0.1%, 25PPM, 1/8W	MCTC0525B3922T5G
Resistor, 16K2, 0805, 0.1%, 25PPM, 1/8W	MCTC0525B1622T5G	Resistor, 40K2, 0805, 0.1%, 25PPM, 1/8W	MCTC0525B4022T5G
Resistor, 16K5, 0805, 0.1%, 25PPM, 1/8W	MCTC0525B1652T5G	Resistor, 41K2, 0805, 0.1%, 25PPM, 1/8W	MCTC0525B4122T5G
Resistor, 16K9, 0805, 0.1%, 25PPM, 1/8W	MCTC0525B1692T5G	Resistor, 42K2, 0805, 0.1%, 25PPM, 1/8W	MCTC0525B4222T5G
Resistor, 17K4, 0805, 0.1%, 25PPM, 1/8W	MCTC0525B1742T5G	Resistor, 43K2, 0805, 0.1%, 25PPM, 1/8W	MCTC0525B4322T5G
Resistor, 17K8, 0805, 0.1%, 25PPM, 1/8W	MCTC0525B1782T5G	Resistor, 44K2, 0805, 0.1%, 25PPM, 1/8W	MCTC0525B4422T5G
Resistor, 18K2, 0805, 0.1%, 25PPM, 1/8W	MCTC0525B1822T5G	Resistor, 45K3, 0805, 0.1%, 25PPM, 1/8W	MCTC0525B4532T5G
Resistor, 18K7, 0805, 0.1%, 25PPM, 1/8W	MCTC0525B1872T5G	Resistor, 46K4, 0805, 0.1%, 25PPM, 1/8W	MCTC0525B4642T5G
Resistor, 19K1, 0805, 0.1%, 25PPM, 1/8W	MCTC0525B1912T5G	Resistor, 47K5, 0805, 0.1%, 25PPM, 1/8W	MCTC0525B4752T5G
Resistor, 19K6, 0805, 0.1%, 25PPM, 1/8W	MCTC0525B1962T5G	Resistor, 48K7, 0805, 0.1%, 25PPM, 1/8W	MCTC0525B4872T5G
Resistor, 20K, 0805, 0.1%, 25PPM, 1/8W	MCTC0525B2002T5G	Resistor, 49K9, 0805, 0.1%, 25PPM, 1/8W	MCTC0525B4992T5G
Resistor, 20K5, 0805, 0.1%, 25PPM, 1/8W	MCTC0525B2052T5G	Resistor, 51K1, 0805, 0.1%, 25PPM, 1/8W	MCTC0525B5112T5G
Resistor, 21K, 0805, 0.1%, 25PPM, 1/8W	MCTC0525B2102T5G	Resistor, 52K3, 0805, 0.1%, 25PPM, 1/8W	MCTC0525B5232T5G
Resistor, 21K5, 0805, 0.1%, 25PPM, 1/8W	MCTC0525B2152T5G	Resistor, 53K6, 0805, 0.1%, 25PPM, 1/8W	MCTC0525B5362T5G
Resistor, 22K1, 0805, 0.1%, 25PPM, 1/8W	MCTC0525B2212T5G	Resistor, 54K9, 0805, 0.1%, 25PPM, 1/8W	MCTC0525B5492T5G
Resistor, 22K6, 0805, 0.1%, 25PPM, 1/8W	MCTC0525B2262T5G	Resistor, 56K2, 0805, 0.1%, 25PPM, 1/8W	MCTC0525B5622T5G
Resistor, 23K2, 0805, 0.1%, 25PPM, 1/8W	MCTC0525B2322T5G	Resistor, 57K6, 0805, 0.1%, 25PPM, 1/8W	MCTC0525B5762T5G
Resistor, 23K7, 0805, 0.1%, 25PPM, 1/8W	MCTC0525B2372T5G	Resistor, 59K, 0805, 0.1%, 25PPM, 1/8W	MCTC0525B5902T5G
Resistor, 24K3, 0805, 0.1%, 25PPM, 1/8W	MCTC0525B2432T5G	Resistor, 60K4, 0805, 0.1%, 25PPM, 1/8W	MCTC0525B6042T5G
Resistor, 24K9, 0805, 0.1%, 25PPM, 1/8W	MCTC0525B2492T5G	Resistor, 61K9, 0805, 0.1%, 25PPM, 1/8W	MCTC0525B6192T5G
Resistor, 25K5, 0805, 0.1%, 25PPM, 1/8W	MCTC0525B2552T5G	Resistor, 63K4, 0805, 0.1%, 25PPM, 1/8W	MCTC0525B6342T5G
Resistor, 26K1, 0805, 0.1%, 25PPM, 1/8W	MCTC0525B2612T5G	Resistor, 64K9, 0805, 0.1%, 25PPM, 1/8W	MCTC0525B6492T5G
Resistor, 26K7, 0805, 0.1%, 25PPM, 1/8W	MCTC0525B2672T5G	Resistor, 66K5, 0805, 0.1%, 25PPM, 1/8W	MCTC0525B6652T5G
Resistor, 27K4, 0805, 0.1%, 25PPM, 1/8W	MCTC0525B2742T5G	Resistor, 68K1, 0805, 0.1%, 25PPM, 1/8W	MCTC0525B6812T5G
Resistor, 28K, 0805, 0.1%, 25PPM, 1/8W	MCTC0525B2802T5G	Resistor, 69K8, 0805, 0.1%, 25PPM, 1/8W	MCTC0525B6982T5G
Resistor, 28K7, 0805, 0.1%, 25PPM, 1/8W	MCTC0525B2872T5G	Resistor, 71K5, 0805, 0.1%, 25PPM, 1/8W	MCTC0525B7152T5G
Resistor, 29K4, 0805, 0.1%, 25PPM, 1/8W	MCTC0525B2942T5G	Resistor, 73K2, 0805, 0.1%, 25PPM, 1/8W	MCTC0525B7322T5G
Resistor, 30K1, 0805, 0.1%, 25PPM, 1/8W	MCTC0525B3012T5G	Resistor, 75K, 0805, 0.1%, 25PPM, 1/8W	MCTC0525B7502T5G
Resistor, 30K9, 0805, 0.1%, 25PPM, 1/8W	MCTC0525B3092T5G	Resistor, 76K8, 0805, 0.1%, 25PPM, 1/8W	MCTC0525B7682T5G
Resistor, 31K6, 0805, 0.1%, 25PPM, 1/8W	MCTC0525B3162T5G	Resistor, 78K7, 0805, 0.1%, 25PPM, 1/8W	MCTC0525B7872T5G
Resistor, 32K4, 0805, 0.1%, 25PPM, 1/8W	MCTC0525B3242T5G	Resistor, 80K6, 0805, 0.1%, 25PPM, 1/8W	MCTC0525B8062T5G
Resistor, 33K2, 0805, 0.1%, 25PPM, 1/8W	MCTC0525B3322T5G	Resistor, 82K5, 0805, 0.1%, 25PPM, 1/8W	MCTC0525B8252T5G
Resistor, 34K, 0805, 0.1%, 25PPM, 1/8W	MCTC0525B3402T5G	Resistor, 84K5, 0805, 0.1%, 25PPM, 1/8W	MCTC0525B8452T5G
Resistor, 34K8, 0805, 0.1%, 25PPM, 1/8W	MCTC0525B3482T5G	Resistor, 86K6, 0805, 0.1%, 25PPM, 1/8W	MCTC0525B8662T5G
Resistor, 35K7, 0805, 0.1%, 25PPM, 1/8W	MCTC0525B3572T5G	Resistor, 88K7, 0805, 0.1%, 25PPM, 1/8W	MCTC0525B8872T5G
Resistor, 36K5, 0805, 0.1%, 25PPM, 1/8W	MCTC0525B3652T5G	Resistor, 90K9, 0805, 0.1%, 25PPM, 1/8W	MCTC0525B9092T5G

Newark.com/multicomp-pro  
 Farnell.com/multicomp-pro  
 sg.element14.com/b/multicomp-pro

**multicomp** PRO



# Thin Film Chip Resistors

## MCTC05 Series

**multicomp** PRO

Description	Part Number	Description	Part Number
Resistor, 93K1, 0805, 0.1%, 25PPM, 1/8W	MCTC0525B9312T5G	Resistor, 232K, 0805, 0.1%, 25PPM, 1/8W	MCTC0525B2323T5G
Resistor, 95K3, 0805, 0.1%, 25PPM, 1/8W	MCTC0525B9532T5G	Resistor, 237K, 0805, 0.1%, 25PPM, 1/8W	MCTC0525B2373T5G
Resistor, 97K6, 0805, 0.1%, 25PPM, 1/8W	MCTC0525B9762T5G	Resistor, 243K, 0805, 0.1%, 25PPM, 1/8W	MCTC0525B2433T5G
Resistor, 100K, 0805, 0.1%, 25PPM, 1/8W	MCTC0525B1003T5G	Resistor, 249K, 0805, 0.1%, 25PPM, 1/8W	MCTC0525B2493T5G
Resistor, 102K, 0805, 0.1%, 25PPM, 1/8W	MCTC0525B1023T5G	Resistor, 255K, 0805, 0.1%, 25PPM, 1/8W	MCTC0525B2553T5G
Resistor, 105K, 0805, 0.1%, 25PPM, 1/8W	MCTC0525B1053T5G	Resistor, 261K, 0805, 0.1%, 25PPM, 1/8W	MCTC0525B2613T5G
Resistor, 107K, 0805, 0.1%, 25PPM, 1/8W	MCTC0525B1073T5G	Resistor, 267K, 0805, 0.1%, 25PPM, 1/8W	MCTC0525B2673T5G
Resistor, 110K, 0805, 0.1%, 25PPM, 1/8W	MCTC0525B1103T5G	Resistor, 274K, 0805, 0.1%, 25PPM, 1/8W	MCTC0525B2743T5G
Resistor, 113K, 0805, 0.1%, 25PPM, 1/8W	MCTC0525B1133T5G	Resistor, 280K, 0805, 0.1%, 25PPM, 1/8W	MCTC0525B2803T5G
Resistor, 115K, 0805, 0.1%, 25PPM, 1/8W	MCTC0525B1153T5G	Resistor, 287K, 0805, 0.1%, 25PPM, 1/8W	MCTC0525B2873T5G
Resistor, 118K, 0805, 0.1%, 25PPM, 1/8W	MCTC0525B1183T5G	Resistor, 294K, 0805, 0.1%, 25PPM, 1/8W	MCTC0525B2943T5G
Resistor, 121K, 0805, 0.1%, 25PPM, 1/8W	MCTC0525B1213T5G	Resistor, 301K, 0805, 0.1%, 25PPM, 1/8W	MCTC0525B3013T5G
Resistor, 124K, 0805, 0.1%, 25PPM, 1/8W	MCTC0525B1243T5G	Resistor, 309K, 0805, 0.1%, 25PPM, 1/8W	MCTC0525B3093T5G
Resistor, 127K, 0805, 0.1%, 25PPM, 1/8W	MCTC0525B1273T5G	Resistor, 316K, 0805, 0.1%, 25PPM, 1/8W	MCTC0525B3163T5G
Resistor, 130K, 0805, 0.1%, 25PPM, 1/8W	MCTC0525B1303T5G	Resistor, 324K, 0805, 0.1%, 25PPM, 1/8W	MCTC0525B3243T5G
Resistor, 133K, 0805, 0.1%, 25PPM, 1/8W	MCTC0525B1333T5G	Resistor, 332K, 0805, 0.1%, 25PPM, 1/8W	MCTC0525B3323T5G
Resistor, 137K, 0805, 0.1%, 25PPM, 1/8W	MCTC0525B1373T5G	Resistor, 340K, 0805, 0.1%, 25PPM, 1/8W	MCTC0525B3403T5G
Resistor, 140K, 0805, 0.1%, 25PPM, 1/8W	MCTC0525B1403T5G	Resistor, 348K, 0805, 0.1%, 25PPM, 1/8W	MCTC0525B3483T5G
Resistor, 143K, 0805, 0.1%, 25PPM, 1/8W	MCTC0525B1433T5G	Resistor, 357K, 0805, 0.1%, 25PPM, 1/8W	MCTC0525B3573T5G
Resistor, 147K, 0805, 0.1%, 25PPM, 1/8W	MCTC0525B1473T5G	Resistor, 365K, 0805, 0.1%, 25PPM, 1/8W	MCTC0525B3653T5G
Resistor, 150K, 0805, 0.1%, 25PPM, 1/8W	MCTC0525B1503T5G	Resistor, 374K, 0805, 0.1%, 25PPM, 1/8W	MCTC0525B3743T5G
Resistor, 154K, 0805, 0.1%, 25PPM, 1/8W	MCTC0525B1543T5G	Resistor, 383K, 0805, 0.1%, 25PPM, 1/8W	MCTC0525B3833T5G
Resistor, 158K, 0805, 0.1%, 25PPM, 1/8W	MCTC0525B1583T5G	Resistor, 392K, 0805, 0.1%, 25PPM, 1/8W	MCTC0525B3923T5G
Resistor, 162K, 0805, 0.1%, 25PPM, 1/8W	MCTC0525B1623T5G	Resistor, 402K, 0805, 0.1%, 25PPM, 1/8W	MCTC0525B4023T5G
Resistor, 165K, 0805, 0.1%, 25PPM, 1/8W	MCTC0525B1653T5G	Resistor, 412K, 0805, 0.1%, 25PPM, 1/8W	MCTC0525B4123T5G
Resistor, 169K, 0805, 0.1%, 25PPM, 1/8W	MCTC0525B1693T5G	Resistor, 432K, 0805, 0.1%, 25PPM, 1/8W	MCTC0525B4323T5G
Resistor, 174K, 0805, 0.1%, 25PPM, 1/8W	MCTC0525B1743T5G	Resistor, 442K, 0805, 0.1%, 25PPM, 1/8W	MCTC0525B4423T5G
Resistor, 178K, 0805, 0.1%, 25PPM, 1/8W	MCTC0525B1783T5G	Resistor, 453K, 0805, 0.1%, 25PPM, 1/8W	MCTC0525B4533T5G
Resistor, 182K, 0805, 0.1%, 25PPM, 1/8W	MCTC0525B1823T5G	Resistor, 464K, 0805, 0.1%, 25PPM, 1/8W	MCTC0525B4643T5G
Resistor, 187K, 0805, 0.1%, 25PPM, 1/8W	MCTC0525B1873T5G	Resistor, 475K, 0805, 0.1%, 25PPM, 1/8W	MCTC0525B4753T5G
Resistor, 191K, 0805, 0.1%, 25PPM, 1/8W	MCTC0525B1913T5G	Resistor, 487K, 0805, 0.1%, 25PPM, 1/8W	MCTC0525B4873T5G
Resistor, 196K, 0805, 0.1%, 25PPM, 1/8W	MCTC0525B1963T5G	Resistor, 499K, 0805, 0.1%, 25PPM, 1/8W	MCTC0525B4993T5G
Resistor, 200K, 0805, 0.1%, 25PPM, 1/8W	MCTC0525B2003T5G	Resistor, 511K, 0805, 0.1%, 25PPM, 1/8W	MCTC0525B5113T5G
Resistor, 205K, 0805, 0.1%, 25PPM, 1/8W	MCTC0525B2053T5G	Resistor, 523K, 0805, 0.1%, 25PPM, 1/8W	MCTC0525B5233T5G
Resistor, 210K, 0805, 0.1%, 25PPM, 1/8W	MCTC0525B2103T5G	Resistor, 536K, 0805, 0.1%, 25PPM, 1/8W	MCTC0525B5363T5G
Resistor, 215K, 0805, 0.1%, 25PPM, 1/8W	MCTC0525B2153T5G	Resistor, 549K, 0805, 0.1%, 25PPM, 1/8W	MCTC0525B5493T5G
Resistor, 221K, 0805, 0.1%, 25PPM, 1/8W	MCTC0525B2213T5G	Resistor, 562K, 0805, 0.1%, 25PPM, 1/8W	MCTC0525B5623T5G
Resistor, 226K, 0805, 0.1%, 25PPM, 1/8W	MCTC0525B2263T5G	Resistor, 576K, 0805, 0.1%, 25PPM, 1/8W	MCTC0525B5763T5G

Newark.com/multicomp-pro  
 Farnell.com/multicomp-pro  
 sg.element14.com/b/multicomp-pro

**multicomp** PRO

# Thin Film Chip Resistors

## MCTC05 Series

**multicomp** PRO

Description	Part Number	Description	Part Number
Resistor, 590K, 0805, 0.1%, 25PPM, 1/8W	MCTC0525B5903T5G	Resistor, 768K, 0805, 0.1%, 25PPM, 1/8W	MCTC0525B7683T5G
Resistor, 604K, 0805, 0.1%, 25PPM, 1/8W	MCTC0525B6043T5G	Resistor, 787K, 0805, 0.1%, 25PPM, 1/8W	MCTC0525B7873T5G
Resistor, 619K, 0805, 0.1%, 25PPM, 1/8W	MCTC0525B6193T5G	Resistor, 806K, 0805, 0.1%, 25PPM, 1/8W	MCTC0525B8063T5G
Resistor, 634K, 0805, 0.1%, 25PPM, 1/8W	MCTC0525B6343T5G	Resistor, 825K, 0805, 0.1%, 25PPM, 1/8W	MCTC0525B8253T5G
Resistor, 649K, 0805, 0.1%, 25PPM, 1/8W	MCTC0525B6493T5G	Resistor, 845K, 0805, 0.1%, 25PPM, 1/8W	MCTC0525B8453T5G
Resistor, 665K, 0805, 0.1%, 25PPM, 1/8W	MCTC0525B6653T5G	Resistor, 866K, 0805, 0.1%, 25PPM, 1/8W	MCTC0525B8663T5G
Resistor, 681K, 0805, 0.1%, 25PPM, 1/8W	MCTC0525B6813T5G	Resistor, 887K, 0805, 0.1%, 25PPM, 1/8W	MCTC0525B8873T5G
Resistor, 698K, 0805, 0.1%, 25PPM, 1/8W	MCTC0525B6983T5G	Resistor, 909K, 0805, 0.1%, 25PPM, 1/8W	MCTC0525B9093T5G
Resistor, 715K, 0805, 0.1%, 25PPM, 1/8W	MCTC0525B7153T5G	Resistor, 931K, 0805, 0.1%, 25PPM, 1/8W	MCTC0525B9313T5G
Resistor, 732K, 0805, 0.1%, 25PPM, 1/8W	MCTC0525B7323T5G	Resistor, 953K, 0805, 0.1%, 25PPM, 1/8W	MCTC0525B9533T5G
Resistor, 750K, 0805, 0.1%, 25PPM, 1/8W	MCTC0525B7503T5G	Resistor, 976K, 0805, 0.1%, 25PPM, 1/8W	MCTC0525B9763T5G

**Important Notice :** This data sheet and its contents (the "Information") belong to the members of the AVNET group of companies (the "Group") or are licensed to it. No licence is granted for the use of it other than for information purposes in connection with the products to which it relates. No licence of any intellectual property rights is granted. The Information is subject to change without notice and replaces all data sheets previously supplied. The Information supplied is believed to be accurate but the Group assumes no responsibility for its accuracy or completeness, any error in or omission from it or for any use made of it. Users of this data sheet should check for themselves the Information and the suitability of the products for their purpose and not make any assumptions based on information included or omitted. Liability for loss or damage resulting from any reliance on the Information or use of it (including liability resulting from negligence or where the Group was aware of the possibility of such loss or damage arising) is excluded. This will not operate to limit or restrict the Group's liability for death or personal injury resulting from its negligence. Multicomp Pro is the registered trademark of Premier Farnell Limited 2019.

Newark.com/multicomp-pro  
 Farnell.com/multicomp-pro  
 sg.element14.com/b/multicomp-pro

**multicomp** PRO