

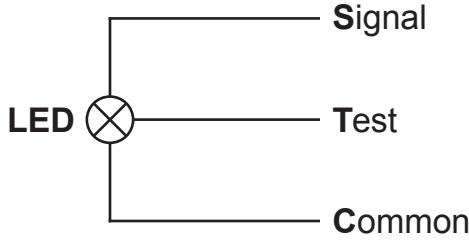
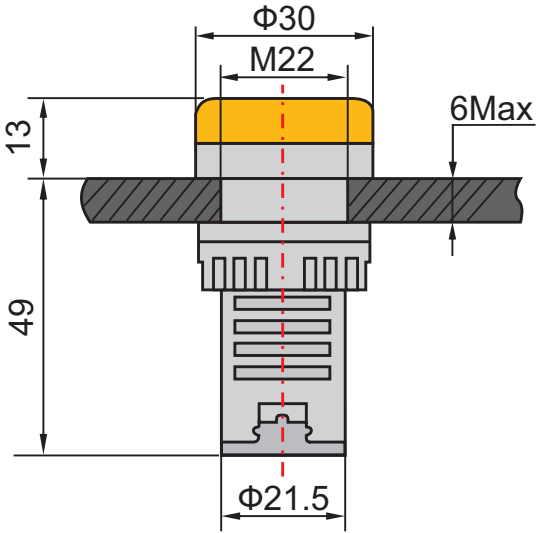
# Datasheet

## LED Indicator 22mm Yellow 12Vac/dc Test Circuit

RS Stock Number: 909-2538



Representative of range



### Technical Specification

|                                       |                        |
|---------------------------------------|------------------------|
| Colour                                | Yellow                 |
| Nominal Voltage (V <sub>n</sub> )     | 12V ac/dc              |
| Operating Voltage Range               | V <sub>n</sub> +/- 15% |
| Frequency (ac)                        | 50 - 60Hz              |
| Insulation Resistance                 | ≥ 2MΩ                  |
| Insulation Withstand                  | 2.5kVac, 1 minute      |
| Current Draw                          | ≤ 20mA                 |
| IP Rating (from front, panel mounted) | IP65                   |
| Brightness                            | ≥ 60 cd/m <sup>3</sup> |
| Operational Life                      | 30,000 hours           |
| Relative Humidity                     | ≤ 98%                  |
| Operating Temperature Range           | -25°C to +55°C         |