

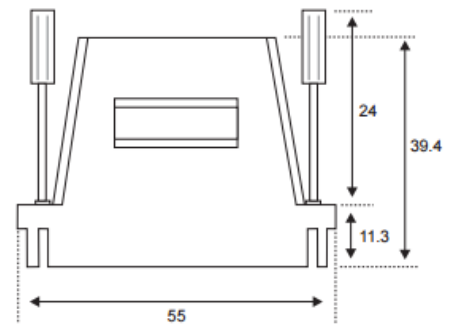
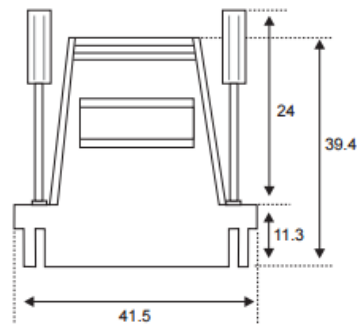
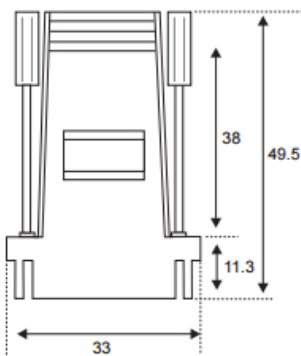
## Datasheet

# Red 25 way D plug w/RJ45 socket adaptor

RS Stock number 314-8133



### Dimensions: (mm)



### Specifications

RJ45 : Modular

Pin : Cord Colour Red