



ENGLISH

## Datasheet

# Nickel Plated Brass Manual Ball Valve, 3/4 in BSP Threaded, 25bar

RS Stock number **486-328**



### Quality:

- Chrome plated brass ball for longer life
- UNI 8858 cycle and torque tests performed

### Body:

- Hot forged sand blasted nickel plated brass body and caps
- 3 way T (s.100) or L (s.101) design allows complete range of flow handling applications
- Copper alloy brass according to EN 12165 and EN 12164 specifications

### Stem:

- Two NBR O-Rings at the stem for maximum safety

### Seals:

- Four seats design limits mixture among various fluids in the system
- PTFE seats

### Threads:

- ISO 228 Female threads

### Flow:

- Extra port for lowest pressure drop

### Working Pressure:

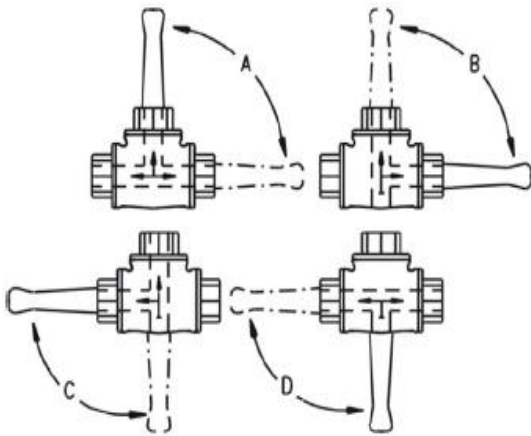
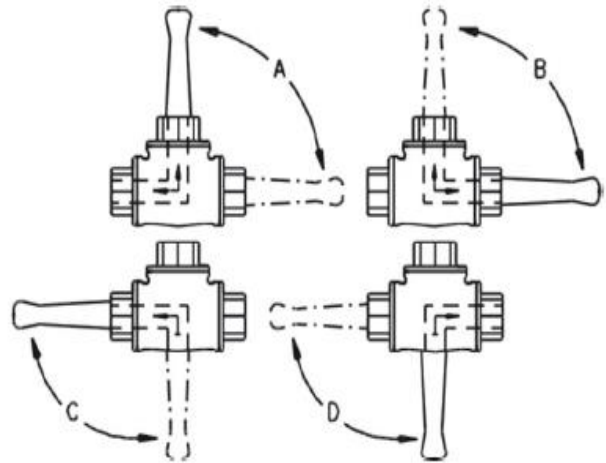
- See non-shock cold working pressure on chart

### Working Temperature:

- -10°C / +120°C
- Warning: freezing of the fluid in the installation may severely damage the valve

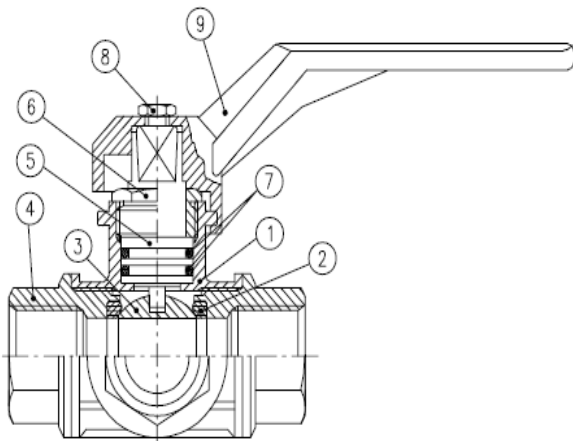
### PED Directives:

- The product described in this document meets the requirements of PED Directive 97/23 and according to art.3 par.3, it does not require CE marking; it cannot be used with dangerous gases in sizes larger than 25mm; it cannot be used with non-dangerous gases in sizes larger than 40mm

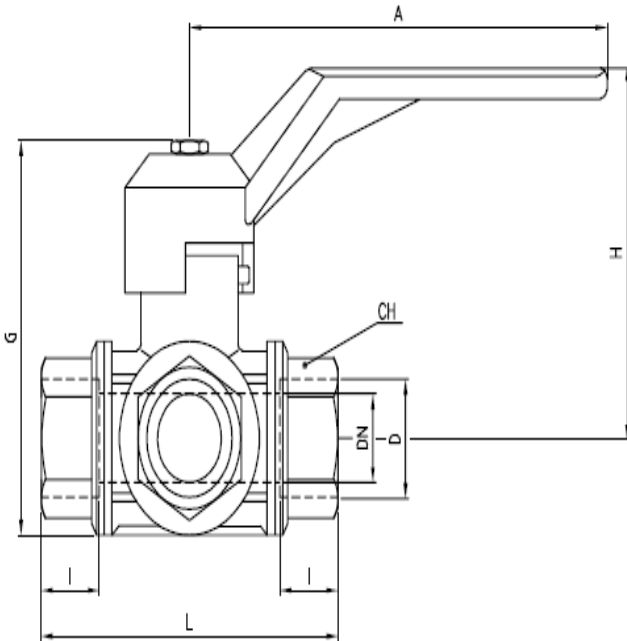

**s. 100 3-way T port**

**s. 101 3-way L port**
**Approved by or in compliance with:**

- GOST-R (Russia)
- Hygiene and epidemic center in Moscow city (Russia)
- UkrSepro (Ukraine)
- EAC - Declaration of conformity (Russia-Kazakhstan-Belarus)

**NOTE:** Approvals apply to specific configurations/sizes only.

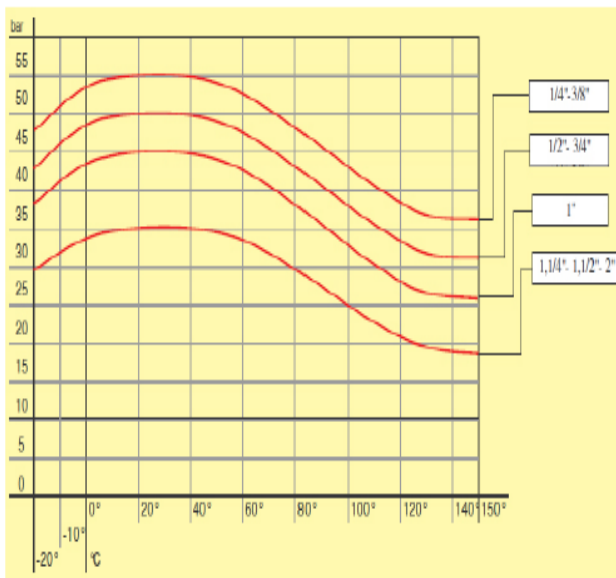


PART DESCRIPTION	Q.TY	MATERIAL	
1	Nickel plated body	1	CW617N
2	Seat	4	PTFE
3	Chrome plated ball	1	CW617N
4	Nickel plated end cap	3	CW617N
5	Nickel plated stem O-ring design	1	CW614N
6	Nickel plated nut	1	CW614N
7	O-Ring	2	NBR
8	Screw	1	Steel
9	Red handle	1	Aluminum



Code	100B00	100C00	100D00	100E00	100F00	100G00	100H00	100I00
	101B00	101C00	101D00	101E00	101F00	101G00	101H00	101I00
D (Inch)	1/4	3/8	1/2	3/4	1	1 1/4	1 1/2	2
DN (mm)	10	12	14	18	23	29	36	45
I (mm)	19	19	19	23	25	27	31	36
L (mm)	77	77	77	92	104	118	138	162
G (mm)	75	75	75	91	105	115	128	165
A (mm)	125	125	125	145	170	170	170	260
H (mm)	65	65	65	83	96	102	109	139
CH (mm)	22	22	27	34	41	50	57	70

**Pressure-Temperature Chart**



**Pressure Drop Chart**

