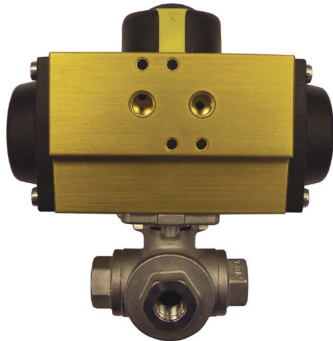




# Datasheet

ENGLISH



## Stainless Steel 3 Way Ball Valve 'L' Bore with Pneumatic Actuator – Double Acting

**1/2" – 1" 1,000 PSI Rated**  
**1 1/4" – 2" 800 PSI Rated**

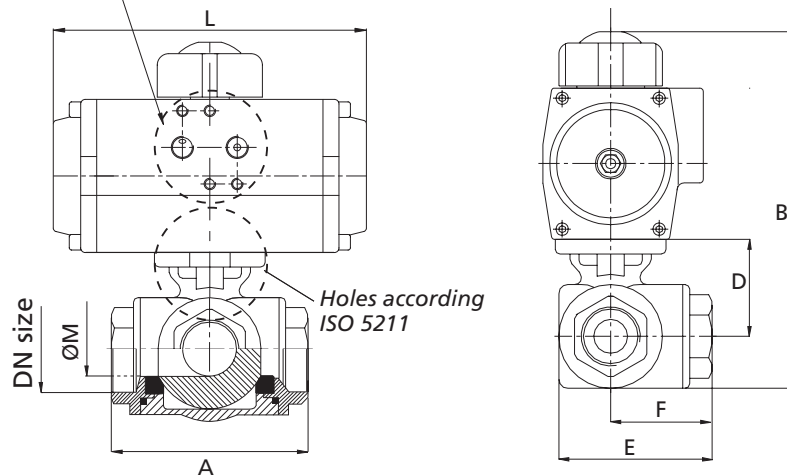
### Double Acting

Article no.	Size
RS77002704	1/2"
RS77002705	3/4"
RS77002706	1"
RS77002707	1 1/4"
RS77002708	1 1/2"
RS77002710	2"

### Materials

Body	CF8M - 316 S/S
Ball	316 S/S
Stem Seal	PTFE
Ball Seal	PTFE

"NAMUR" connection for solenoid valve



### Overall Dimensions - Double Acting

Dia Size ins.	Model	A	B	D	E	F	L	ØM	WEIGHT Kg.
1/2"	AP1-DA	72	152.6	42	61.46	36	127	11	1.82
3/4"	AP2-DA	83	178	46.5	73.63	41.5	150	16	2.67
1"	AP2-DA	110	192.9	55	84.30	55	150	20	3.28
1 1/4"	AP3-DA	125	204.8	62.5	95.39	62.5	204	25	4.04
1 1/2"	AP3-DA	125	243	74	106.2	62.5	204	32	6.41
2"	AP3.5-DA	149	276	88.3	126.2	75	271	38.1	11.61