



Datasheet

RS PRO Modular Enclosure for DIN rail

Stock number: 1862295

EN



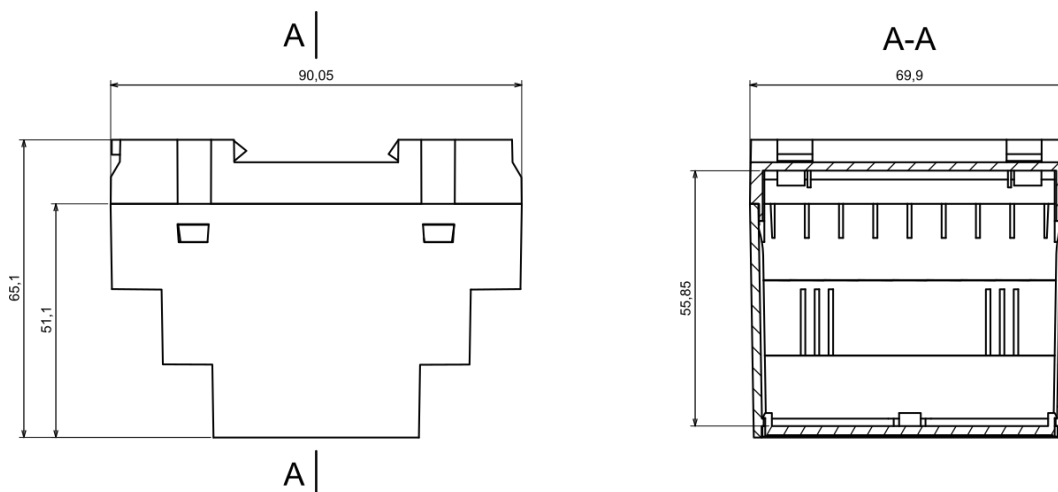
Product Details

Modular enclosures for DIN rail - are enclosures adapted for mounting on DIN rails. They are manufactured in lightgray color. The material from which we manufacture them is ABS V0 (self-extinguishing).

Features and Benefits

- Made of self extinguishing ABS
- Available in light gray color
- Supplied with hook, blanking and four screws

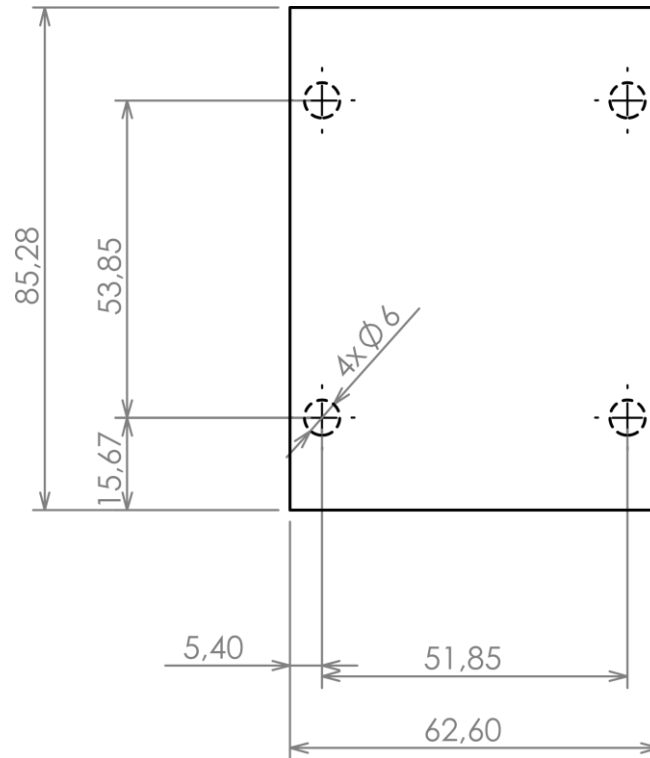
rspro.com



Category	Enclosures Modular for DIN rail
Type	Full
Material	ABS V0
Variant	Without gasket
Height	65.0 mm
Width	90.0 mm
Length	70.0 mm
Color	Lightgray (J)
Standards Met	RoHS Compliant
Accessories	Black hook: 1.0 pcs
Certificate number	CE/032/18



Max PCB size



Dashed line shows outline of the mounting boss under PCB board
Recommended mounting holes diameter $\phi 3,5$ mm