



### Main

Range of product	Harmony XPE
Accessory / separate part designation	Hand grip for protective cover
Accessory / separate part type	Hand grip
Accessory / separate part category	Separate parts
Product compatibility	XPEZ911 XPEZ901
Accessory / separate part destination	Protective cover

### Complementary

Net weight	0.45 kg
------------	---------

### Packing Units

Package 1 Weight	0.554 kg
------------------	----------

### Offer Sustainability

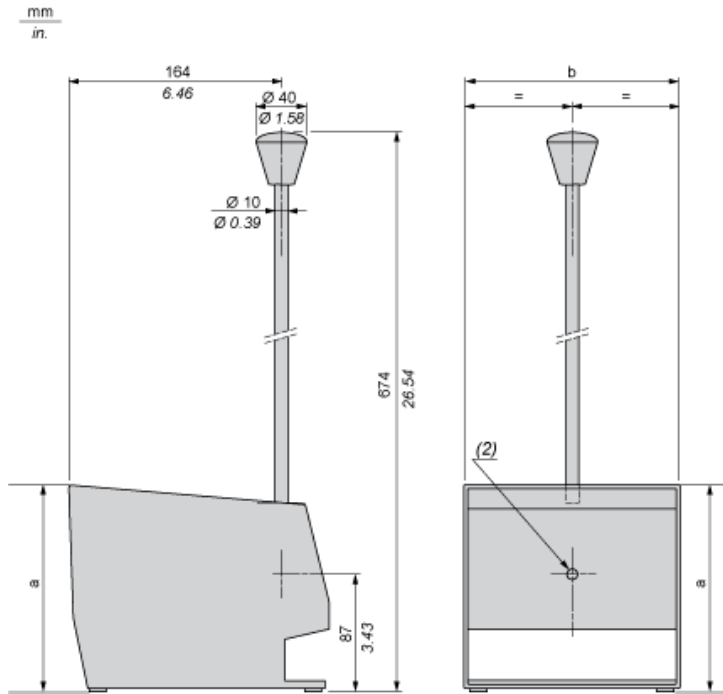
REACH Regulation	<a href="#">REACH Declaration</a>
EU RoHS Directive	Pro-active compliance (Product out of EU RoHS legal scope) <a href="#">EU RoHS Declaration</a>
Mercury free	Yes
RoHS exemption information	<a href="#">Yes</a>
China RoHS Regulation	<a href="#">China RoHS declaration</a>

### Contractual warranty

Warranty	18 months
----------	-----------

Hand Grip for Protective Cover

Dimensions



- (1) 2 tapped entries for n° 16 (Pg 16) cable gland. For ISO M20, use adaptor DE9R1620.  
(2) 1 Ø 6 plain hole.

Dimensions in mm

a		b	
Single pedal	Double pedal	Single pedal	Double pedal
152	155	160	295

Dimensions in in.

a		b	
Single pedal	Double pedal	Single pedal	Double pedal
5.98	6.10	6.30	11.61