

RS PRO

Manual, mechanical and air pilot operated 3/2 poppet valves



- > Port size: G1/8
- > Long established and well-proven valves
- > Compact size
- > Normally closed and normally open models
- > May also be used as 2/2 valves



Technical features

Medium:

Compressed air, filtered, lubricated and non-lubricated or hydraulic fluid

Operation:

Poppet valves, directly actuated

Mounting:

Through-holes in valve body

Operating pressure:

2 ... 10 bar (29 ... 145 psi)

Port size:

G1/8

Ambient/Media temperature:

-20 ... +80°C max. (-4 ... +176 °F)

Air supply must be dry enough

to avoid ice formation at

temperatures below +2°C

(+35°F).

Flow:

l/min	Cv
174	0,20
156	0,18

Others:

For use as a 2/2 valve the main supply must be connected to port '1' and the exhaust port '3' should be plugged.

Materials:

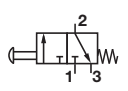
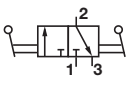
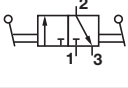
Body: Diecast zinc alloy
Piston: aluminium
Seals: NBR

Technical data

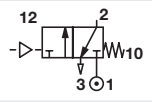
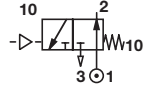
3/2 mechanical valves

Symbol	Port size	Function	Operator/Return	Operating pressure (bar)	Operating force or torque at 6,3 bar	Weight (kg)	Spares Kit	Dimension No.	Model
	G1/8	NC	Plunger/Spring	2...10	35 N	0,20	QS/666/1/00	1	3146238
	G1/8	NO	Plunger/Spring	2...10	72 N	0,20	QS/667/1/00	1	
	G1/8	NC	Roller/Spring	2...10	20 N	0,30	QS/666/1/00	2	
	G1/8	NO	Roller/Spring	2...10	40 N	0,30	QS/667/1/00	2	
	G1/8	NC	Roller/Spring	2...10	0,25 Nm	0,30	QS/666/1/00	3	3146266
	G1/8	NC	Rod/Spring	2...10	0,25 Nm	0,30	QS/666/1/00	4	3146288
	G1/8	NC	Antenna/Spring	2...10	0,25 Nm	0,30	QS/666/1/00	5	3146294

3/2 manual valves

Symbol	Port size	Function	Knob colour	Operator/Return	Operating pressure (bar)	Operating force or torque at 6,3 bar	Weight (kg)	Spares Kit	Dimension No.	Model
	G1/8	NC	Silver	Knob/spring	2 ... 10	35 N	0,20	QS/666/1/00	7	2204098
	G1/8	NC	Black	Knob/spring	2 ... 10	35 N	0,20	QS/666/1/00	7	PS/666/1N
	G1/8	NC	Red	Knob/spring	2 ... 10	35 N	0,20	QS/666/1/00	7	PS/666/1R
	G1/8	NC	Green	Knob/spring	2 ... 10	35 N	0,20	QS/666/1/00	7	PS/666/1G
	G1/8	NC	—	Lever/lever (Panel mounting)	2 ... 10	14 N	0,30	QS/666/1/00	8	2180301
	G1/8	NC	—	Lever (long)/lever (Panel mounting)	2 ... 10	10 N	0,30	QS/666/1/00	6	2204099

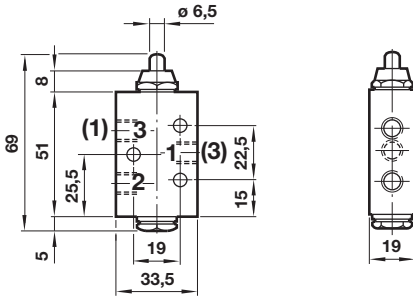
3/2 pilot operated valves

Symbol	Port size	Function	Operator/Return	Operating pressure (bar)	Pilot pressure (bar) at 7 bar supply pressure	Weight (kg)	Spares Kit	Dimension No.	Model
	G1/8	NC	Pressure/spring	2 ... 10	2,8	0,20	QS/666/40/00	9	3146216
	G1/8	NO	Pressure/spring	2 ... 10	5,3 *1)	0,20	QS/667/40/00	9	3146222

*1) 4,6 bar at 3,5 bar supply, 6,0 bar at 10 bar supply

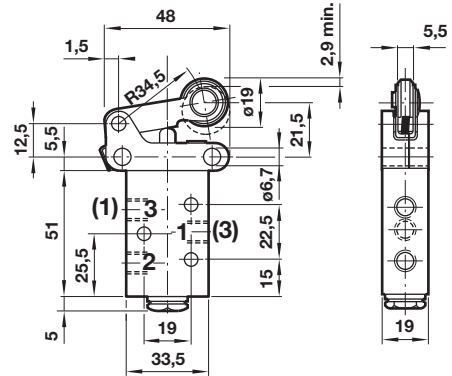
Dimensions

①



Pre-travel: 0,8 mm closed top seat
 Operating Travel: 0,8 mm open bottom seat
 Over-travel: 1,5 mm
 Model number S/667/14 type 3/2 normally open numbers are shown in brackets.

②

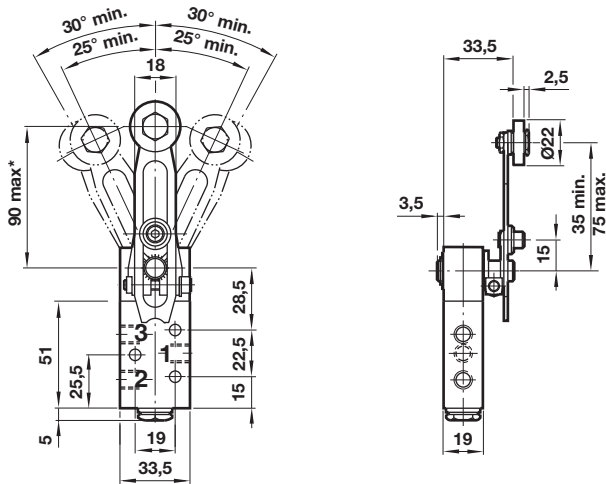


Pre-travel: 1,4 mm closed top seat
 Operating Travel: 1,4 mm open bottom seat
 Over-travel: 2,2 mm
 Model number S/667/8 type 3/2 normally open numbers are shown in brackets.

Dimensions in mm
 Projection/First angle

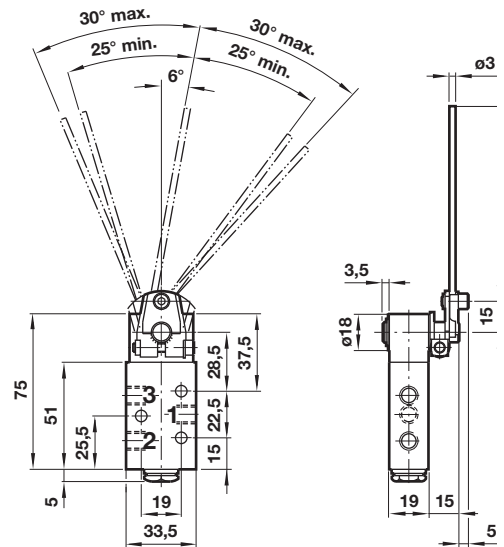


③



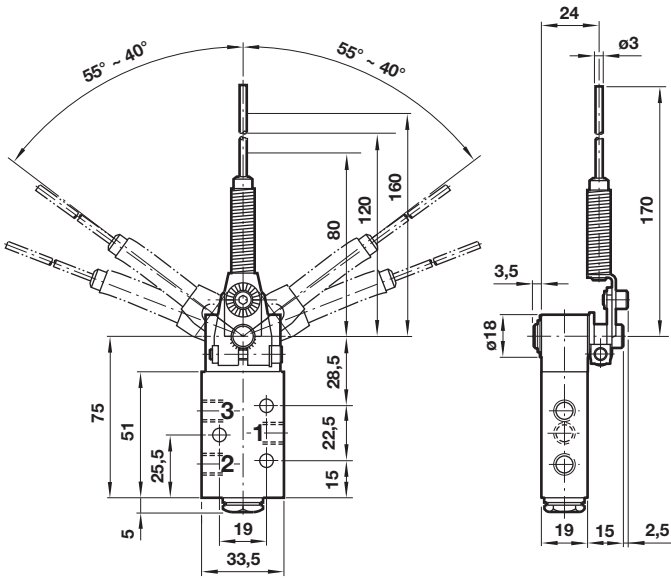
Mechanism may be operated either side of centre line.
 When the valve is mounted horizontally, the roller is recommended to be positioned on the upper face of the arm.
 *Alternative position

④



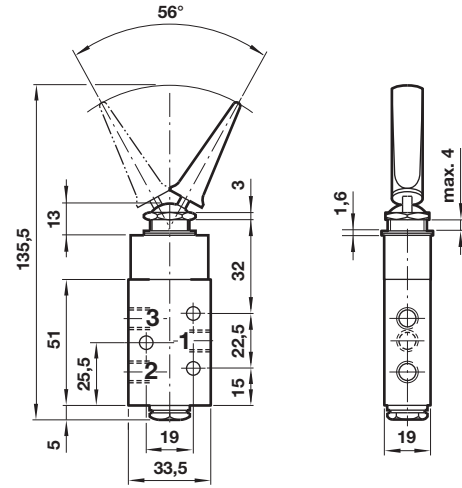
Mechanism may be operated either side of centre line.
 *Recommended

5



6

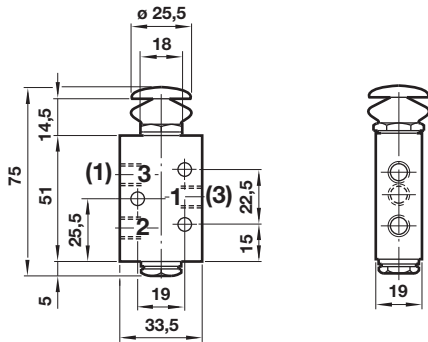
Dimensions in mm
Projection/First angle



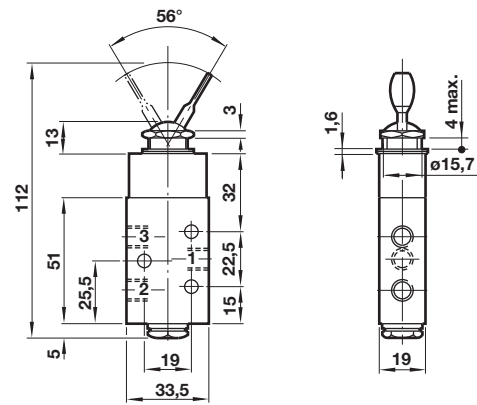
*Rotation at Point of Application: 40° minimum @ 80 mm
50° minimum @ 120 mm
55° minimum @ 160 mm
Mechanism may be operated either side of centre line.

Panel hole: \varnothing 16 mm
Panel thickness: 4 mm maximum

7



8



Panel hole: \varnothing 16 mm
Panel thickness: 4 mm maximum

