



KTS 011(NO)

KTO 011(NC)

## KTO 011/KTS 011

### 产品特性 Features

- 宽范围温度设置 Large setting range
- 小尺寸 Small size
- 安装简单 Simple to mount
- 灵敏度高 High switching performance

KTO 011: 温控器(常闭), 用于调控加热器。

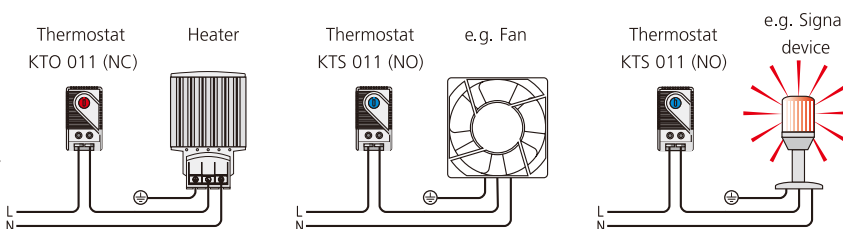
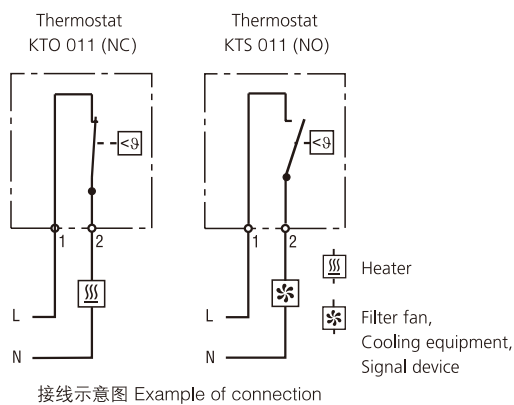
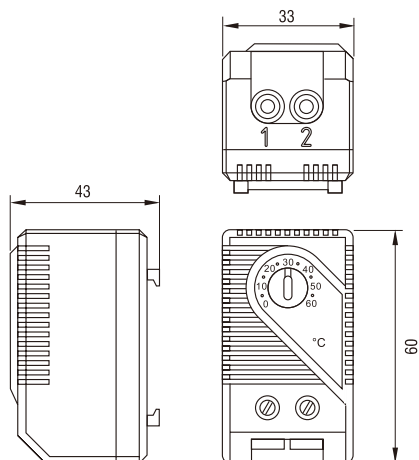
KTS 011: 温控器(常开), 当温度超出设定值时开关装置可以启动风机或信号装置。

KTO 011: Thermostat (normally closed), contact breaker for regulating heaters.

KTS 011: Thermostat (normally open), contact maker for regulating of filter fans and heat exchangers or for switching signal device when temperature limit has been exceeded.

### 技术参数 Technical Data

开关温差 Switch temperature difference	7K (±4K tolerance)
传感元件 Sensor element	感温材料 thermostatic bimetal
触点类型 Contact type	快速动作接点 snap-action contact
触点电阻 Contact resistance	< 10mΩ
使用寿命 Service life	> 100,000 cycles
开关最大容量 Max. Switching capacity	250VAC, 10 (2) A 120VAC, 15 (2) A DC 30W
EMC	acc. to EN 55014-1-2, EN 61000-3-2, EN 61000-3-3
接线方式 Connection	2极接线端子 2.5mm <sup>2</sup> 导线 2-pole terminal, damping torque 0.5Nm max.: rigid wire 2.5mm <sup>2</sup> stranded wire (with wire end ferrule) 1.5mm <sup>2</sup>
安装方式 Mounting	35mm DIN轨道 clip for 35mm DIN rail, EN60715 or for exit filter EF 118 Series
外壳材料 Casing	塑料 UL94标准 V-0 防火等级, plastic according to UL94 V-0, light grey
外观尺寸 Dimensions	60 x 33 x 43mm
重量 Weight	约40克 approx. 40g
安装位置 Fitting position	任意 variable
操作/储存温度 Operating/Storage temperature	-20 to +80°C (-4 to +176°F) / -45 to +80°C (-49 to +176°F)
防护等级 Protection type	IP20



接线示意图 Example of connection

设定范围 Setting range	订货代码 Art. No. Contact Breaker (NC)	订货代码 Art. No. Contact Breaker (NO)	产品证书 Approvals
0 to +60°C	01140.0-00	01141.0-00	CE
-10 to +50°C	01142.0-00	01143.0-00	CE
+20 to +80°C	01159.0-00	01158.0-00	CE
+32 to +140°F	01140.9-00	01141.9-00	CE
+14 to +122°F	01142.9-00	01143.9-00	CE
0 to +60°C	01146.9-00	01147.9-00	CE