



# Datasheet

## RS PRO Two-Part Enclosures

Stock number: 1920768

EN

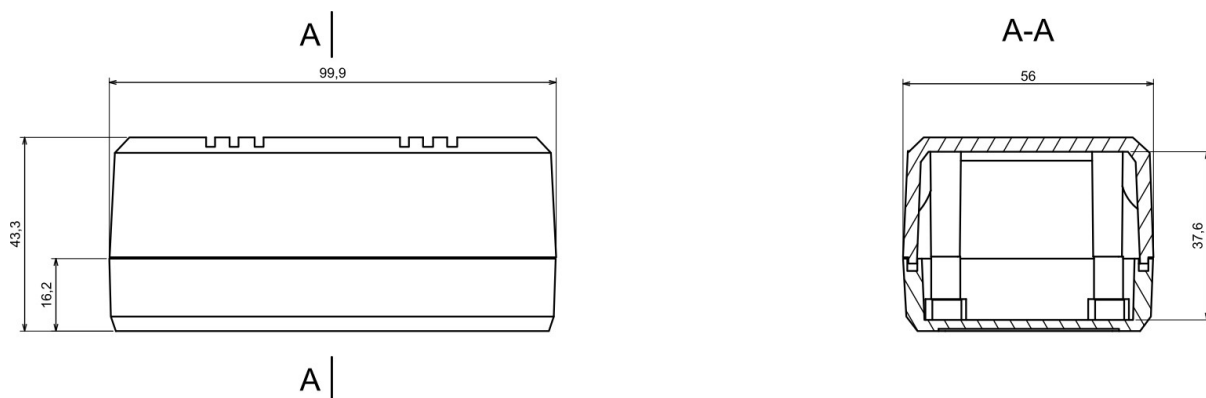


## Product Details

Two-part enclosure is made of black ABS. The enclosure is ventilated and provides IP30 and IK06 rating it is ideal for applications that doesn't require hermetic seal.

## Features and Benefits

- Made of ABS
- Available in black color
- Ventilated cover
- Protection against liquids and solid objects: IP30 rating
- Shock protection level: IK06 rating
- Supplied with four screws for assembly



Category	Two-part enclosures
Type	Ventilated ( <b>W</b> )
Material	ABS
Variant	Without gasket
Height	43.3 mm
Width	56.1 mm
Length	99.8 mm
Color	Black
Protection level	IP30
Shock protection level	IK06
Standards Met	RoHS Compliant
Accessories	Screw 3/25: 4.0 pcs
Certificate number	CE/031/18



