

Datasheet

304 Stainless Steel Heavy Duty Clamps

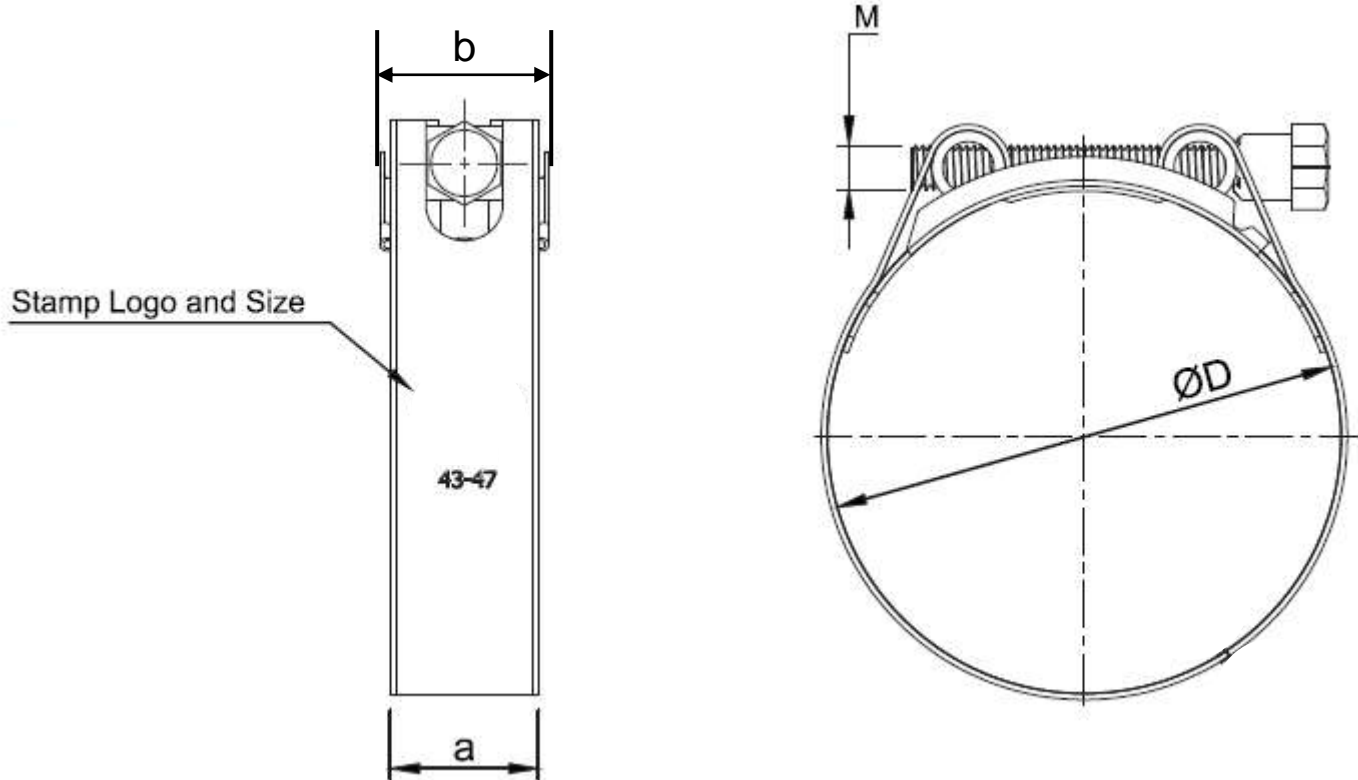


Specification:

Material: All 304 Stainless Steel

Plating: None

Drawing:



Stock No.	Range		RT Nm	Max. Values Pressure (Bar)	Dimension				
	mm	inch			a	b	M		
1963938	25 - 27	1 - 1 1/16	5.0	46	18 ±0.2	19.5 ±0.2	M5		
1963939	31 - 34	1 1/4 - 1 5/16		45			M5		
1963940	34 - 37	1 5/16 - 1 7/16					M5		
1963941	37 - 40	1 7/16 - 1 9/16					M5		
1963942	40 - 43	1 9/16 - 1 11/16					44	20 ±0.2	23 ±0.2
1963943	43 - 47	1 11/16 - 1 7/8	8.4	M6					
1963944	47 - 51	1 7/8 - 2		40	M6				
1963945	51 - 55	2 - 2 3/16			36	M6			
1963947	59 - 63	2 5/16 - 2 1/2				M6			
1963948	68 - 73	2 11/16 - 2 7/8	20.0	28	25 ±0.2	28 ±0.2	M8		
1963949	85 - 91	3 3/8 - 3 9/16		20			M8		
1963950	104 - 112	4 1/8 - 4 7/16					12	M8	
1963951	112 - 121	4 7/16 - 4 3/4						M8	
1963953	162 - 174	6 3/8 - 6 7/8		41.0			6	30 ±0.2	33 ±0.2

*RT; Recommended Torque



Product feature:

The Heavy Duty Clamps are designed with three spot welding on the underside of the band, with a unique inward band forming to provide higher strength for applications which require a high tightening torque or reinforced thick wall hose.