



ENGLISH

Datasheet

RS Article:1854653

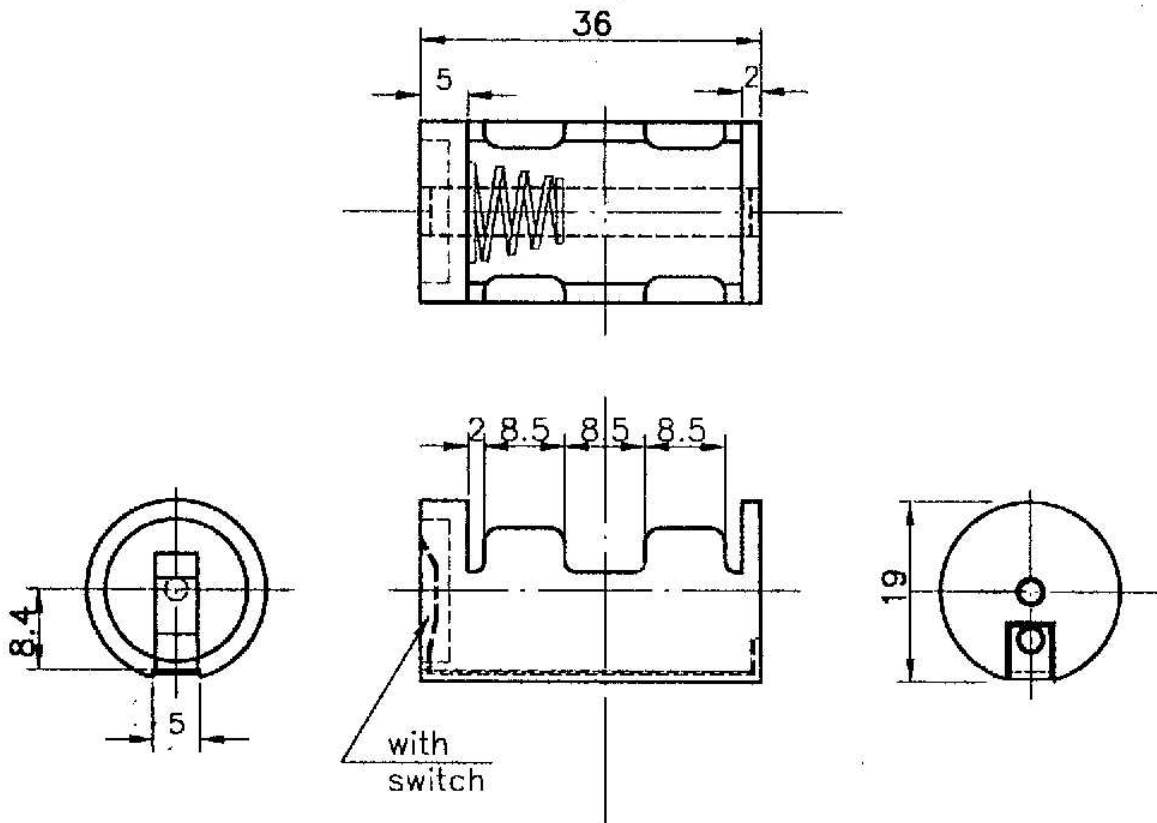
RS Pro Battery Holder



1. Preface:

The purpose of this product specification is to Dimension and drawing

1/2AA with Switch



SPECIFICATION

- (1) ITEM NO.: 1854653
- (2) WITH SWITCH: THINNESS 0.3mm
NICKEL-PLATE.
- (3) MATERIAL: ABS RESIN, BLACK COLOR
- (4) SPRING: 0.6MM 65C SPRING

Measure: mm