



ENGLISH

Datasheet

Stock No: 209-901

RS Pro Prominent Indicator Panel Mount, 8mm Mounting Hole Size, Yellow LED



Product Details

LED Indicators, 8mm Mounting

Brought to you under the trusted RS Brand, these LED indicators have diffused epoxy lenses and a chrome bezel. The body features convenient solder tab terminals for ease of installation. LED indicators give a high level of brightness and a long life at low energy consumption, making them ideal for a variety of equipment applications.

Features and Benefits:

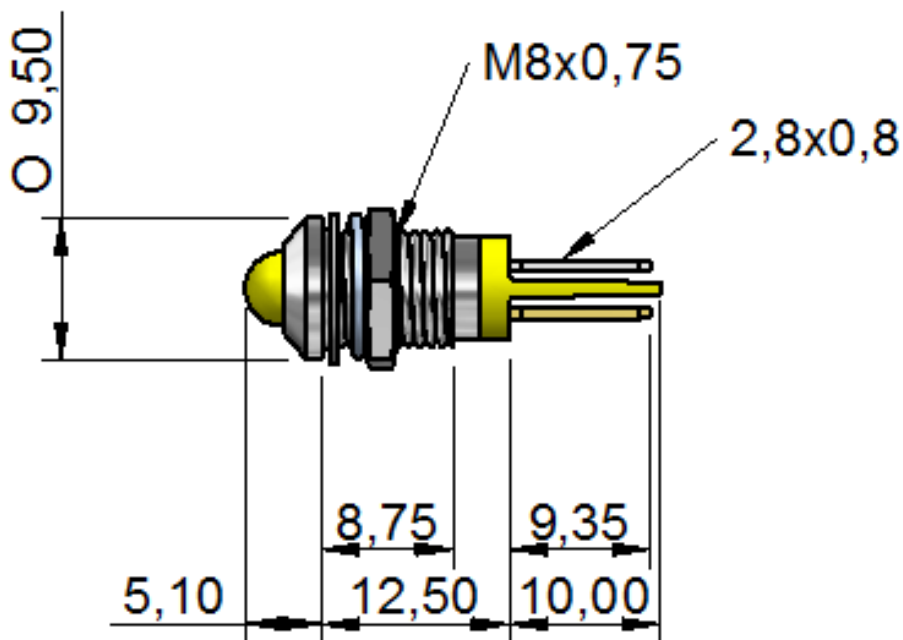
- 5mm tinted diffused epoxy lens
- Bright satin or black chrome brass housing available in range
- Recessed or prominent bezel style available in range
- 0.11in. (2.8 x 0.8mm) terminals, except tri-colour variants which have 2x0.5mm

Note

These LED indicators should not be operated without a suitable series resistor or other current-limiting device

Supplied with

fixing nut and washer



LED/Multiled	LED	Optimum voltage (V)	2Vdc	Intensity	40mcd@20mA
Mounting Size	8mm	Rectifier			
Mounting Finish	Chrome Bezel	AC current			
Protection	IP40	DC current			
Mount Holder	Prominent	Voltage Tolerance (%)	10%		
Chip Qty	1	Optimum temperature (°C)	-40°C...+85°C		
Indicator colour	Yellow	Storage temperature (°C)			
Wavelength (nm)	588	Contact Tab x 2	2.8x0.8mm		



Dimension in mm (typical), not to scale.
We reserve the right to make changes without further notice to this product to improve reliability, function or design.