



Datasheet
Stock No. 1881766,1882203
**RS PRO PIEZO TRANSDUCER
WITH FEEDBACK LEAD**



ENGLISH



Specifications

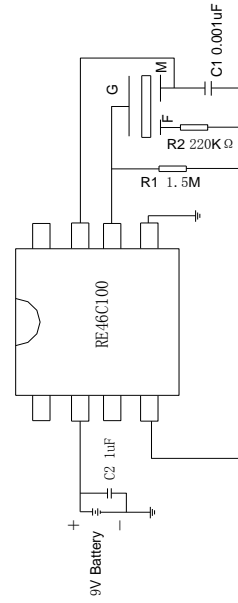
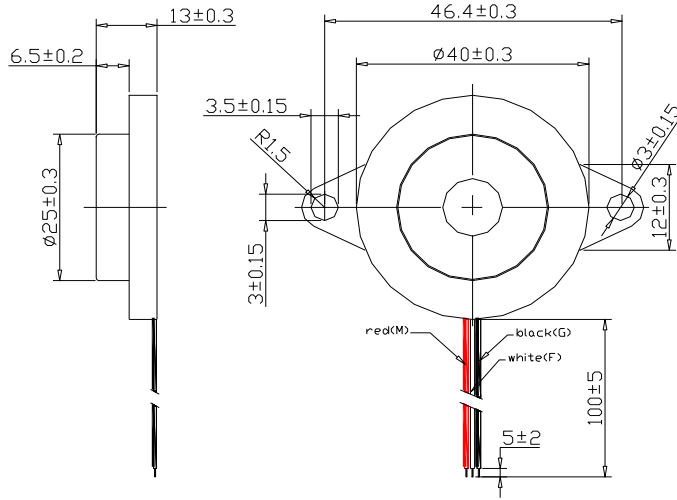
1881766,1882203

Rated voltage (VDC)	9VDC
Operating voltage	6~12VDC
Rated current at rated voltage	≤30mA
Sound output at 2400Hz at 10cm	≥110dB
Resonant frequency	3200 ± 500Hz
Operating temperature	-20~+70°C
Storage temperature	-20~+85°
Weight	5g
Tone	Single

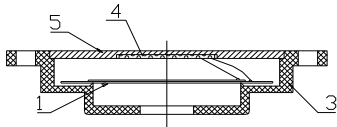
Features

- ROHS compliant
- Wave solder & wash not allowed
- All data at 25°C unless otherwise specified

Unless otherwise specified, tolerance:±0.5(unit:mm)



Reference Circuit



No.	Part Name	Qty	Material
5	Cover	1	BLACK ABS777D
4	PCB	1	Epoxy Board
3	Housing	1	BLACK ABS777D
2	Lead wire	3	UL1095 AWG28 (Red, White & Black)
1	Piezo element	1	Stainless steel