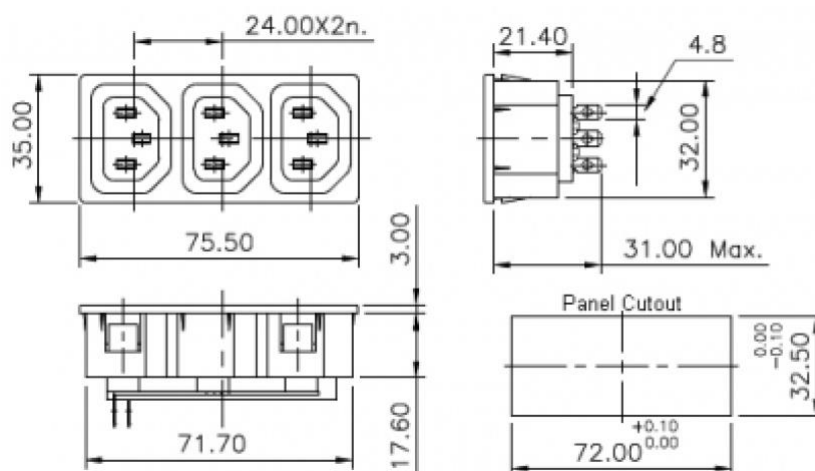


# Datasheet

## Snap Mounting IEC 3 Way Outlet

RS Stock 896-2142

### Dimensions: (mm)



### Specifications

Mounting Style:	Panel, Snap-in type
Terminals:	Solder-type / Fast-on 4.8x0.8
Reference Standard:	IEC 60320-1
Permissible Temp With/Without Load:	0 deg. C to + 70 deg. C
Permissible Temp For Soldering:	270 deg. C for 5 sec. Max.
Panel Thickness:	Standard - 1.5 (C), Other (on request)
Material - Terminals:	Copper alloy, Tin plated
Material - Body:	Nylon-6 GF 20%, V2
Insulation Resistance at 500 V DC:	1000 M Ohms Min.
H. V. Break Down Test:	2 KV AC for 1 minute
Contact Resistance (Initial):	10 m Ohms Max.
Current & Voltage Rating:	10 Amps (VDE), 20 Amp (UL, CSA) 250 VAC