



ENGLISH

Datasheet

Stock No: 251-302

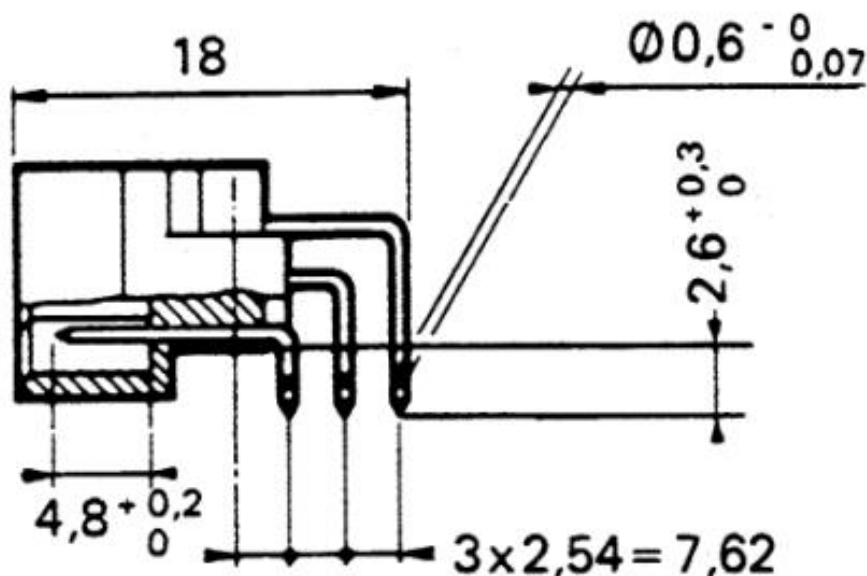
RS Pro 2 Way 2.54mm Pitch, Type C/2 Class C2, 2 Row a/c, Right Angle DIN 41612 Connector, Plug, Solder



Product Details

Series C/2 Male DIN 41612 Connectors

Standard DIN 41612 PCB Signal Connectors Style C/2 right angle headers.



DIN 41612 - FCI range

Specifications

Number of Contacts	32
Gender	Male
Number of Rows	2
Body Orientation	Right Angle
Termination Method	Solder
Row Loading	A/c
Type	C/2
Pitch	2.54mm
Contact Plating	Gold over Nickel
Class Rating	C2
Current Rating	1.5A
Contact Material	Copper Alloy
Maximum Contact Resistance	20mΩ
Maximum Operating Temperature	+125°C
Housing Material	PET
Voltage Rating	1000 V ac
Minimum Operating Temperature	-55°C