

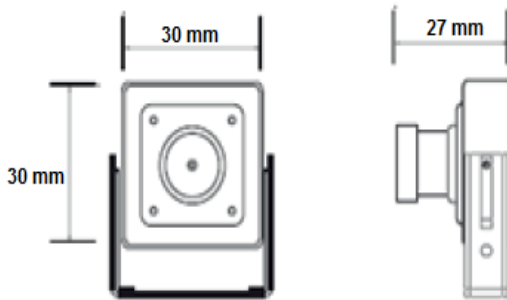


Datasheet

ENGLISH

146-4642

# RS PRO AHD MINIAUTRE CAMERA(1080P)



## Feature

- 1/2.9" 2.12 MP Sony CMOS Sensor
- AHD(1080P)\_1100TVL
- CVBS(1280H)\_1000TVL
- Video Output : AHD / CVBS Convertible
- Min. Ill : 0.08 Lux / color, 0.008 Lux/BW
- 3D-DNR, SENS-UP (X6)
- Mega 3.6mm Fixed Lens
- Power requirement : DC12V (±30%),  
Power source is not included
- OSD key at rear panel

Specifications		NTSC / PAL		
Image Device		1/2.9", 2.12 Megapixel Sony Exmor CMOS		
Total Pixels / Active Pixels		2001(H) x 1121(V) / 1936(H) x 1097(V)		
Scanning System		Progressive		
Resolution		AHD2.0 (1080P)_1100TVL, CVBS(1280H)_1000TVL		
S/N		More than 52dB(AGC Off)		
Video Output		AHD(To Right@key OSD) / CVBS(To Left@key OSD)		
		NTSC / PAL - Selectable in OSD MENU		
		VIDEO OUT(AHD & CVBS)		
Min. Illumination		COLOR : 0.08Lux / BW : 0.008Lux Color Sens-up :0.008Lux / BW Sens-up :0.0008Lux		
OSD Functions	White Balance	ATW/ AWC-SET / INDOOR / OUTDOOR / MANUAL / AWB		
	Exposure	DC / MANUAL		
	Shutter Speed	AHD	AUTO / FLK	
		CVBS	NTSC :1/30 ~1/50.000sec / PAL :1/25 ~1/50.000sec	
	SENS-UP	AUTO(x6) / x2.x4.x6.x8.x10.x15.x20.x25.x30		
	Backlight Compensation	OFF/BLC / HSBLC		
	Privacy Masking	4 Zone		
	Day & Night	AUTO / COLOR / BW / EXT		
	Motion Detection	OFF / ON		
	2DNR	AHD	OFF / LOW / MIDDEL / HIGH	
		CVBS		
	3DNR			
	Digital Effect	OFF / MIRROR / V-FLIP / ROTATE & FREEZE		
	Sharpness / DEFOG	Adjustable / ON / OFF		
	Image Enhancement	D-WDR		
LANGUAGE	ENG/GER/FRA/ITA/SPA/POL/RUS/POR/NED/ TUR/KOR/JPN/HEB/ARB			
Power Input / Consumption		DC+12V (100mA) ± 30%,		
Operation/Storage Temp.		-10°C - +50°C / '-20°C - +60°C		
Dimension (mm)		30 X 30 (mm)		
Cable		Standard 500mm BNC/DC jack		