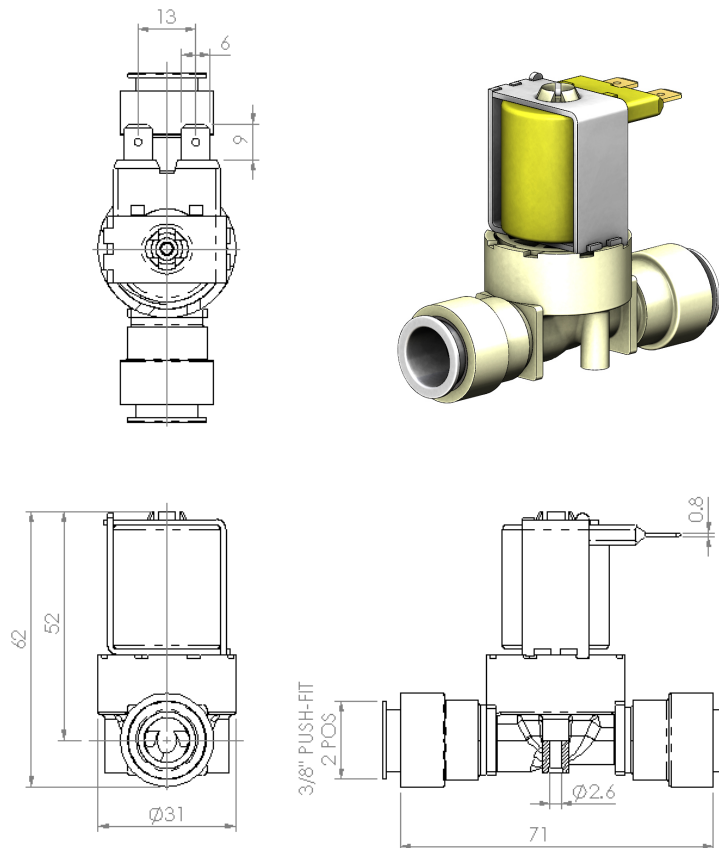


Datasheet

RS Pro Solenoid Valve 2 Port, NC, 24v AC/DC, 3/8" Push-Fit

RS Stock No: 1904139



| SPECIFICATIONS: | |
|------------------------|---------------------------------------|
| VOLTAGE: | 24V |
| FREQUENCY: | AC/DC |
| POWER DRAW: | 2.8w |
| COIL INSULATION: | CLASS F (140°C OPERATING TEMPERATURE) |
| AMBIENT TEMPERATURE: | 60°C Max |
| MEDIUM: | Potable water 90° Max |
| DUTY CYCLE 100%: | Tu 60°C, Tm 25°C |
| DUTY CYCLE: | 3min ON / 5min Off - Tu 60°C, Tm 90°C |
| OPERATING PRESSURE: | 0.2 - 10 Bar |
| EMC: | Fully Compliant |
| APPROVALS: | EN 60 730-2-8, WRAS, ACS. |
| TERMINALS: | 6mm x 0.8mm Male tab terminals (x2) |