

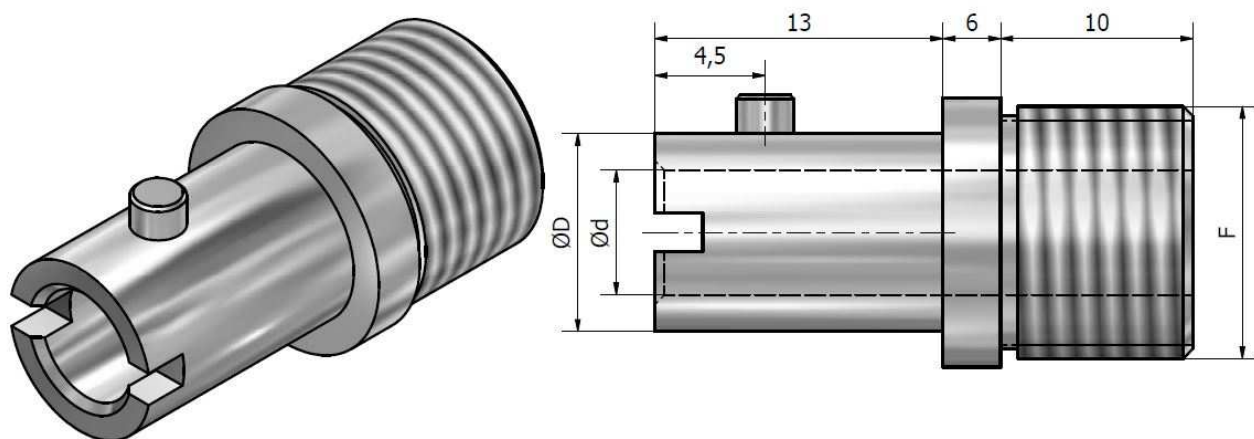


# Data sheet

## SENSOR BAYONET BASE

ENGLISH

RS Stock No. 324-2342



### SENSOR BAYONET BASE

**USE :** Plastic factory

**MATERIAL :** Nickel plated brass

**Lock type possible :**

- A = Ø10.5 x 14 mm
- B = Ø12.3 x 14.5 mm
- C = Ø12.5 x 18 mm
- D = Ø14.5 x 18 mm
- E = Ø15 x 18 mm
- F = Ø10.6 x 14 mm

Characteristics :	C6	L6	L8	D8
Ø D (mm)	10.3	12	12	14.2
Ø d (mm)	5-6	5-6	8	8
For lock type :	A-F	B-C-G	B-C-G	D-E

**Other Dimensions :**

Thread F	C6	L6	L8	D8
M10 X 100	324-2099	324-2184		
M10 X 150	324-2106	324-2190		
M12 X 100	324-2128	324-2207	324-2314	
M12 X 175	324-2134	324-2213	324-2320	324-2364
<b>M14 X 150</b>	324-2140	324-2229	<b>324-2342</b>	
1/4" GCY	324-2162	324-2241		324-2386
1/8" NPT	324-2178			