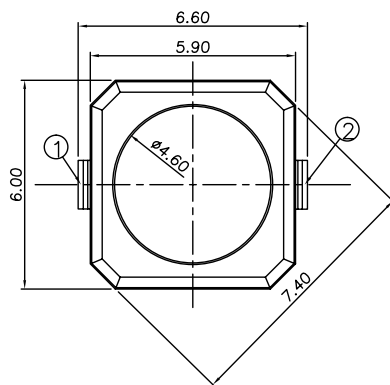


RoHS
Compliant

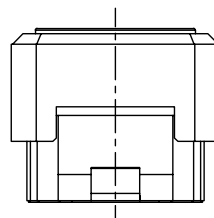
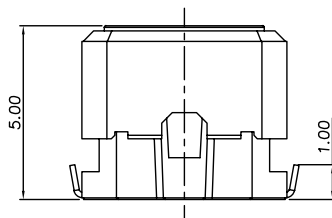
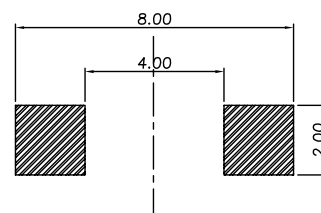
Specifications

Rating	: 10uA 1V DC Min. 50mA 16V DC Max.
Initial contact resistance	: 100mΩ Max.
Insulation resistance	: 100MΩ min. 100V DC 1Min.
Dielectric strength	: 250V AC for 1 minute.
General tolerances	: ±0.2mm
Solder thickness	: 0.1mm

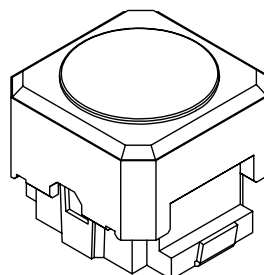
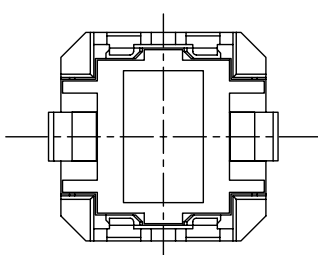
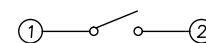
Diagram



P.C.B Mounting
pattern Dimension



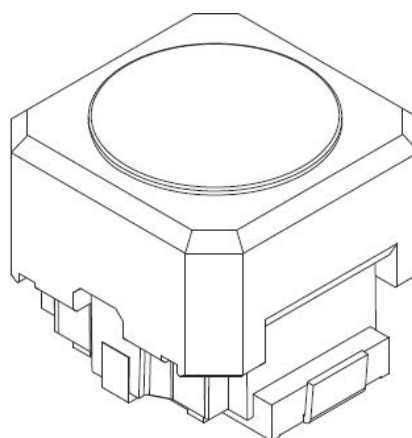
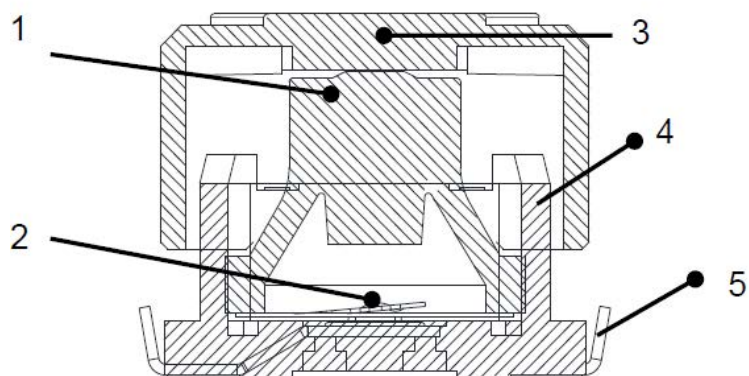
Circuit Daigram



Dimensions : Millimetres

Newark.com/multicomp-pro
Farnell.com/multicomp-pro
sg.element14.com/b/multicomp-pro

Item	Desc.	Q'ty	Materials	Treatment
1	Silicone Dome	1	Silicone Rubber	-
2	Contact	1	Copper Alloy	With Silver Plating
3	Stem	1	Hightemp Thermoplastic LCP	K : Molded Black W : Molded White
4	Base	1	Hightemp Thermoplastic LCP	Molded Black
5	Terminal	1	Brass	With Silver Plating



Part Number Table

Description	Part Number
Tactile Switch, SPST, 50mA, 16VDC, Surface Mount	MP010054

Important Notice : This data sheet and its contents (the "Information") belong to the members of the AVNET group of companies (the "Group") or are licensed to it. No licence is granted for the use of it other than for information purposes in connection with the products to which it relates. No licence of any intellectual property rights is granted. The Information is subject to change without notice and replaces all data sheets previously supplied. The Information supplied is believed to be accurate but the Group assumes no responsibility for its accuracy or completeness, any error in or omission from it or for any use made of it. Users of this data sheet should check for themselves the Information and the suitability of the products for their purpose and not make any assumptions based on information included or omitted. Liability for loss or damage resulting from any reliance on the Information or use of it (including liability resulting from negligence or where the Group was aware of the possibility of such loss or damage arising) is excluded. This will not operate to limit or restrict the Group's liability for death or personal injury resulting from its negligence. Multicomp Pro is the registered trademark of Premier Farnell Limited 2019.