

# Miniature Rocker Switches **multicomp**PRO

**RoHS  
Compliant**

## Non-Illuminated Rocker Switch



MP004405



MP004406/  
MP004407



MP004408 /  
MP005716



MP005717

## Illuminated Rocker Switch



MP004409



MP004429



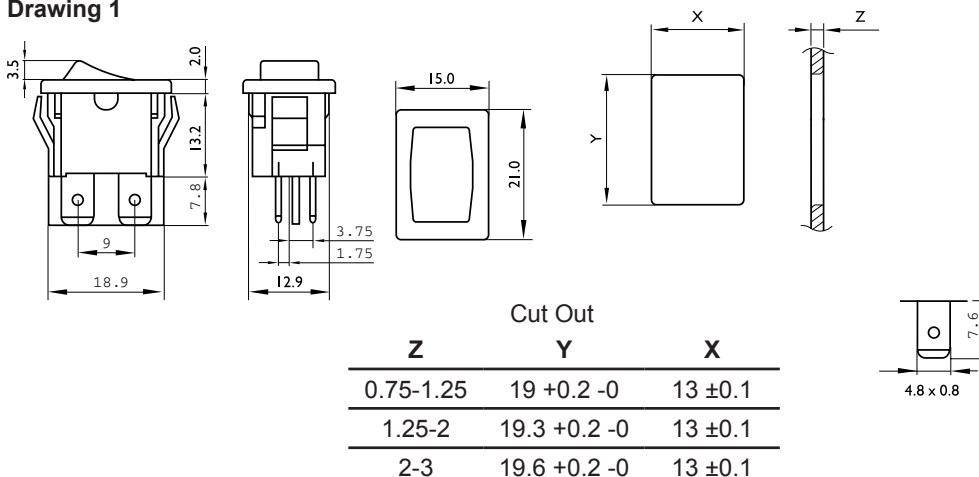
MP004430

## Features

- 13mm × 19mm cut-out
- 4.8mm × 0.8mm faston tabs
- UL, ENEC, CQC, CE approvals

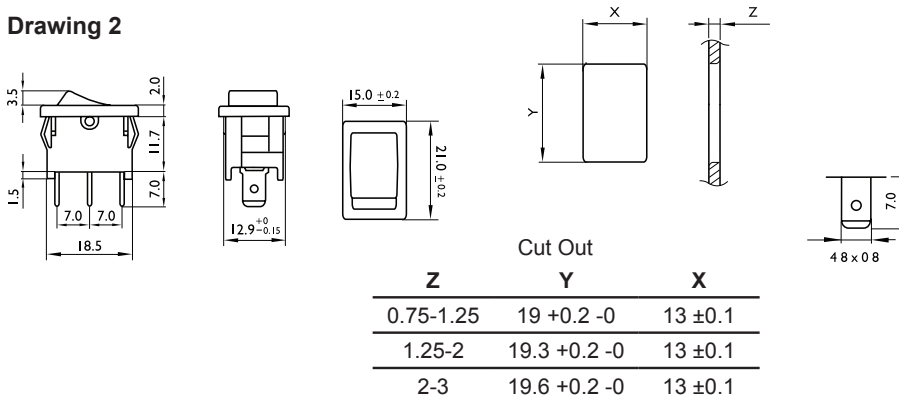
Typical Specifications	Small Appliances
Functions	SPST, Latching, SPDT, Latching
Cycle No.	50.000
Cut Out	19mm × 13mm
Ambient Temperature	125°C
GWT	850°C
GWT No Flame (<2Sec)	750°C on Demand

## Drawing 1



# Miniature Rocker Switches **multicomp**PRO

**Drawing 2**



Dimensions : Millimetres

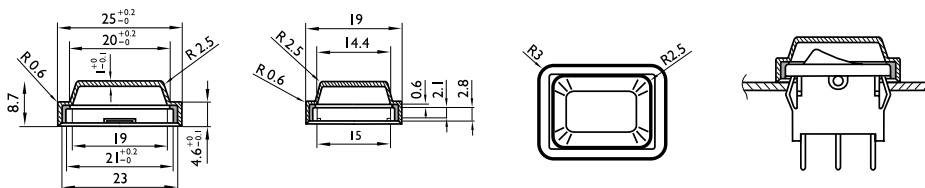
## Rocker Switch Cap



MP004424

### Features

- Splash Proof Cap
- Snap fits over 13mm × 19mm rocker switches
- IP65 when fitted correctly
- Black frame over moulded with PVC cap



## Specifications Table

Part No.	Rating	Actuator Colour	Body Colour	Marking	Drawing	Switch Action	Illumination Type
MP004405	10(4)A / 250V AC	Black	Black	-	Drawing 2	SPST Latching	Non-Illuminated
MP004406						SPDT Latching Changeover	
MP004407					Drawing 1	DPST Latching	
MP004408	0 I						
MP004409	10(4)A / 250V AC	Red	Black	-	Drawing 2	SPST Latching	Illuminated
MP004429	12V DC	Green					
MP004430		Red					
MP005716	10(4)A / 250V AC	Black	White	-	Drawing 2	SPST Latching	Non-Illuminated
MP005717		White					

**Important Notice :** This data sheet and its contents (the "Information") belong to the members of the AVNET group of companies (the "Group") or are licensed to it. No licence is granted for the use of it other than for information purposes in connection with the products to which it relates. No licence of any intellectual property rights is granted. The Information is subject to change without notice and replaces all data sheets previously supplied. The Information supplied is believed to be accurate but the Group assumes no responsibility for its accuracy or completeness, any error in or omission from it or for any use made of it. Users of this data sheet should check for themselves the Information and the suitability of the products for their purpose and not make any assumptions based on information included or omitted. Liability for loss or damage resulting from any reliance on the Information or use of it (including liability resulting from negligence or where the Group was aware of the possibility of such loss or damage arising) is excluded. This will not operate to limit or restrict the Group's liability for death or personal injury resulting from its negligence. Multicomp Pro is the registered trademark of Premier Farnell Limited 2019.

Newark.com/multicomp-pro  
Farnell.com/multicomp-pro  
Element14.com/multicomp-pro

**multicomp**PRO