

FEATURES

- 600 pieces per kit
- Ideal for spares, repairs and R&D

RS PRO 600 Piece Nylon Metric Screw, Nut & Washer Kit

RS/TR Stock No.: 2326878



RS Professionally Approved Products bring to you professional quality parts across all product categories. Our product range has been tested by engineers and provides a comparable quality to the leading brands without paying a premium price.

Nylon Metric Screw, Nut & Washer Kit

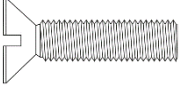
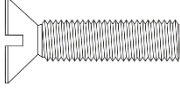
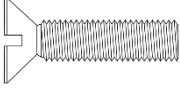
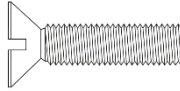
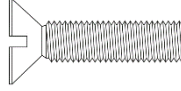
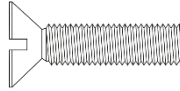
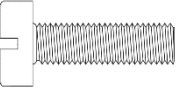
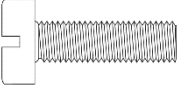
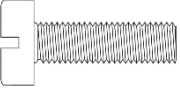
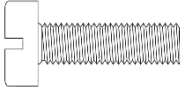
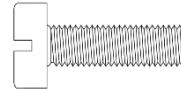
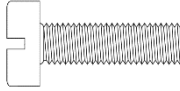
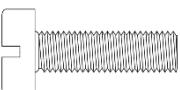
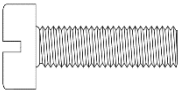
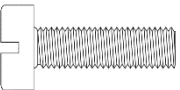


Product Description

Coming from the trusted brand of RS PRO, this mixed screw, nut & washer kit contains a mixed variety of nylon screws with flat and cheese heads with slotted drive type, along with nylon nuts and washers. Nylon fasteners are lightweight yet durable and resistant to corrosion. They are especially useful in irregular surfaces as the nylon can accommodate these variations.

Specifications

Material	Nylon 6,6
Colour	Natural
Number of Pieces	600
Product Type	Cheese Head & Countersunk Head Screws Hexagon Nuts Flat Washers
Thread Sizes	M3, M4, M5

Kit Contents

M3 x 8mm 	M3 x 16mm 	M4 x 8mm 	M4 x 16mm 	M5 x 8mm 	M5 x 16mm 
M3 x 6mm 	M3 x 12mm 	M3 x 25mm 	M4 x 6mm 	M4 x 12mm 	M4 x 25mm 
M5 x 6mm 	M5 x 12mm 	M5 x 25mm 	M3 	M4 	M5 