

RS SPEAKER with 135mm leads and Molex connector

RS Stock Code: 1176045

Specifications

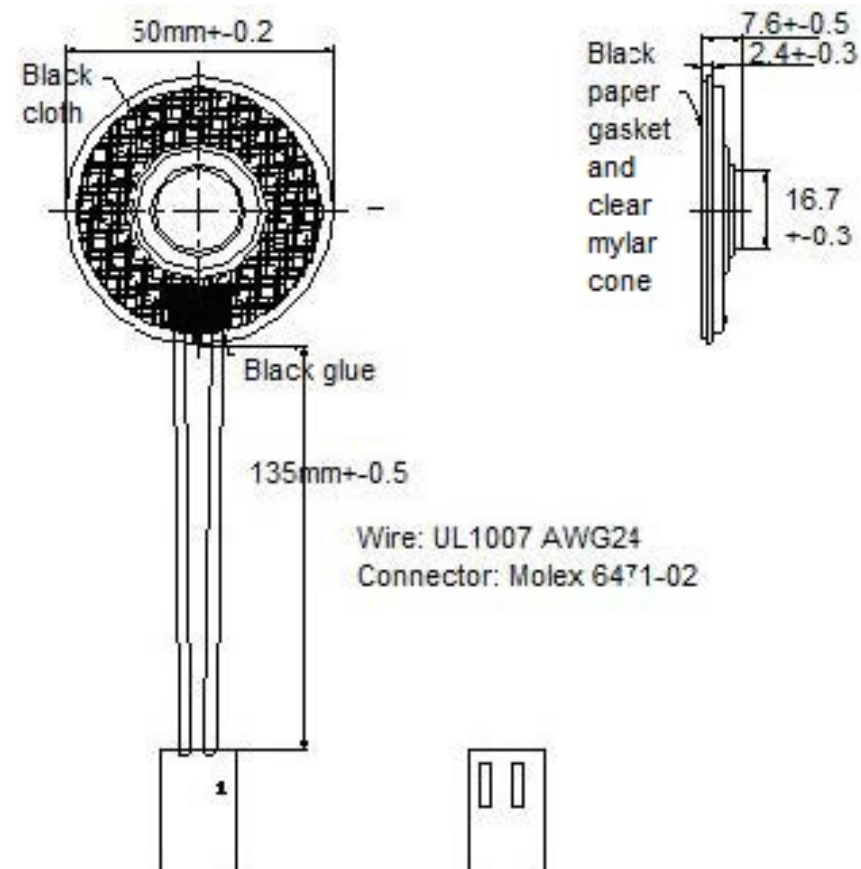
Rated impedance / 2KHz/1V	8±15%Ω
Nominal input power	1.0W
Maximum input power	1.5W
Resonant frequency	350±20%Hz/1V
Frequency range	F0-20,000Hz
Sound pressure level at 0.1W/0.1m	92±3dB
Total harmonic distortion / 1KHz/0.1W	5%max
Fluz density	0.6T
Magnet NdFeB	∅12.5x1.5mm
Voice coil diameter	∅13.28mm
Operating temperature	-10~+40°C
Storage temperature	-20~+60°C
Weight	13.2g±5%

Features

- ROHS compliant
- Clear mylar cone speaker
- Low profile

Material

Frame - SPCC
 Diaphragm - PET
 Plate SPCC
 Magnet - NdFeB
 PCB - FR4
 Front gasket - Paper

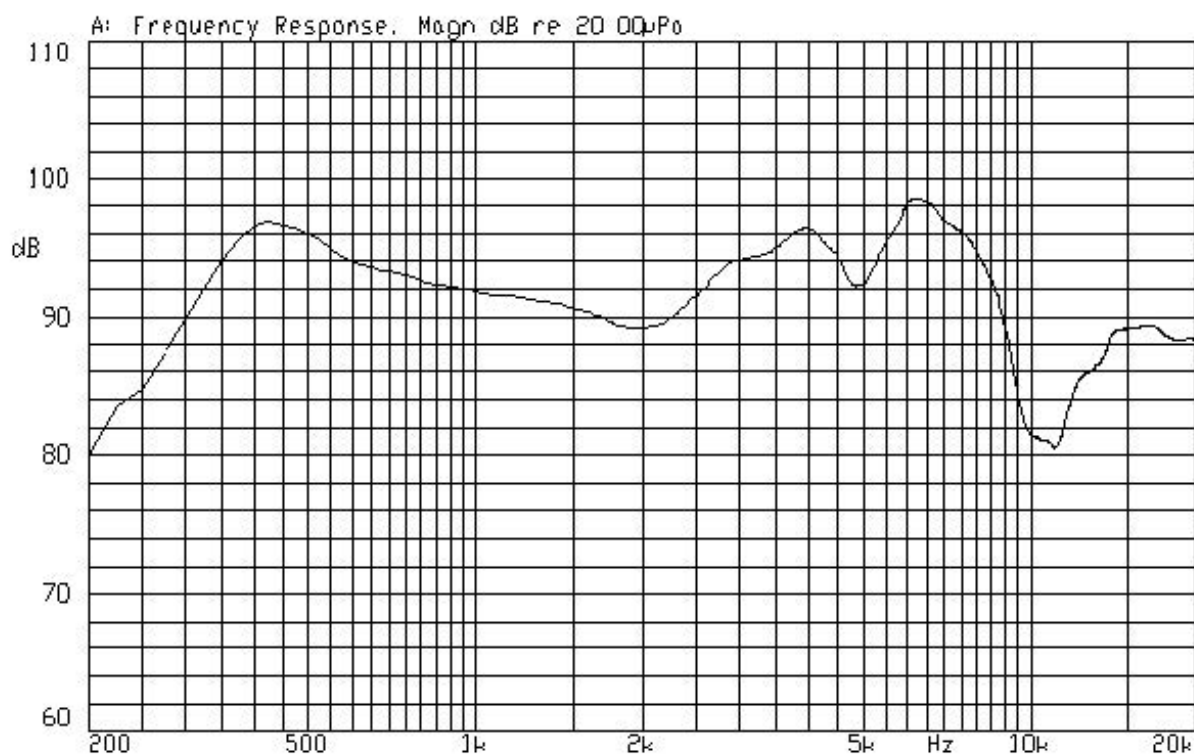


Dimensions Unit: mm

RS Stock Code: 1176045 SPEAKER - Frequency Curve

SPEAKERS

0.1m 0.1W 0.89v



Mode: TSR

