

FEATURES

- Insulation Resistance $\geq 100 \text{ M}\Omega$
- Brass nickel plated coupling nut
- Screw Termination

RS PRO M08 FEMALE RIGHT ANGLE USER-WIRE 4 PIN PG5 WITH PLASTIC BODY SCREW TERMINALS

RS Stock No.: 186-3085



RS Professionally Approved Products bring to you professional quality parts across all product categories. Our product range has been tested by engineers and provides a comparable quality to the leading brands without paying a premium price.

Product Description
ATTRIBUTE 1

M08 Female Screw Type Connector

The RS PRO circular 4-pole, right-angled cable mount M8 female connector has a socket type connection. This connector's voltage rating is 30V and the current rating is up to 3A per contact. The threaded connectors mate with cable mount plugs. The connector body has gold plated contact plating with brass nickel plated coupling nut and PG5 cable gland.

Features and Benefits:

- Insulation Resistance $\geq 100 \text{ M}\Omega$
- Re-Wireable –no special tooling required
- Screw Termination
- Sturdy and reliable connection

General Specifications

Rated Operational Voltage	30 V
Current Rating	3A
Insulation Resistance	$\geq 100 \text{ M}\Omega$
Temperature Range	-25°C ... +75°C
Tightening Torque	0.4 Nm
Coding	A-Coded

Material Specifications

Grip Material	Nylon 66
Contact	Cu-Zn
Contact Plating	Gold Flash
Contact Carrier	Nylon 66
Grip Color	Black
Termination	Screw
Pole	4
Cable Gland	PG5
Knurl Nut	Brass Nickel-Plated

Protection Category

Degree of Protection IP67

Additional Information

Custom Tariff Number 85369090

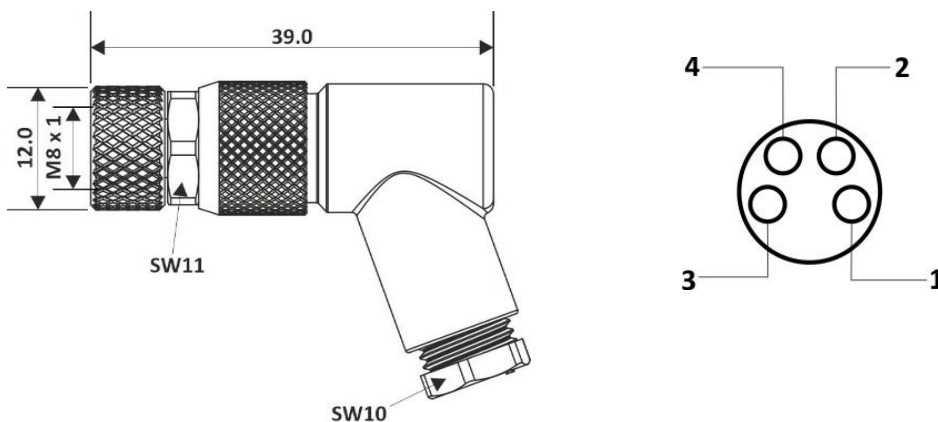
Approvals

Standards Met IEC 61076-2-104

Similar Products

Stock No.	Brand	Product Name	Attribute 1	Attribute 2
186-3083	RS PRO	RS Pro M08 Female User Wire Connector 4 Pin Straight PG5	Industrial Automation Cable Assemblies	Actuator/Sensor Cable
186-3078	RS PRO	RS Pro M08 Male User Wire Connector Straight 4 Pin PG5	Industrial Automation Cable Assemblies	Actuator/Sensor Cable

Connection Diagrams / Assembly Diagrams / Illustrations / Accessories



All Dimensions are in mm.