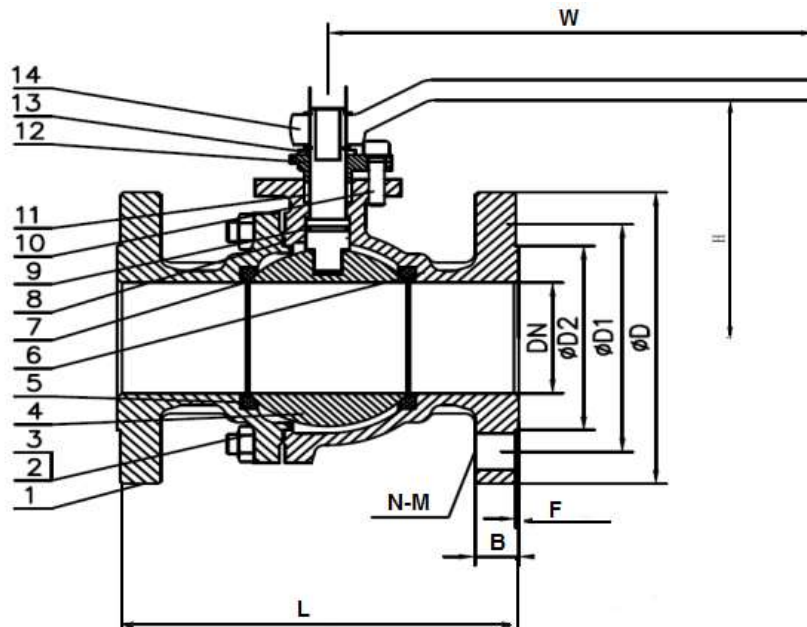


ANSI 150# Stainless Steel 2 Piece Flange Ball Valves

Features

- Full Bore
- ANSI 150# Flange Connection
- Sizes: 1/2" - 6" (DN15 - DN150)
- Working Pressure: 150#
- Valve Body Material: Stainless Steel SS316
- Fire-safe Design According to API 607
- Applicable Medium: General Oil, Gas & Water Applications
- Blow-out Proof Stem Design
- Temperature: -29 Deg C to 150 Deg C



Technical Specifications

1. Basic design and manufacture according to ANSI B16.34
2. Face-to-face dimensions complies with GB/T12221
3. Flange ends complied with GB/T9113.1
4. Inspection and tested according to API598

Main Technical Parameter			
Normal pressure		150#	
Test pressure	Shell test pressure	2.4	MPa
	Tightness test	1.8	
	Gas-tightness test	0.6	
Max working temperature		-29 to 150	°C
Applicable medium: General oil, gas & water			

Material List

No.	Part Name	Material	No.	Part Name	Material
1	Left Body	SS316, CF8M	8	Gasket	PTFE
2	Stud Bolt	SS304	9	O-Ring	PTFE
3	Nut	SS304	10	Hexagon Screw	SS304
4	Ball	SS316	11	Packing	PTFE
5	Seat	PTFE	12	Bonnet	SS316
6	Body	SS316, CF8M	13	Stop Block	SS304
7	Stem	SS316	14	Handle	SS201

Ordering Information

VL - S - B2 - F - 150 - 08
 I II III IV V VI

I Type of Item
 VL Low Pressure Valves

II Material Grade
 S SS316, CF8M CI Cast Iron
 FS Forged Steel CS Cast Steel
 B Brass

III Item
 GA Gate Valve B1 1 PC Ball Valve
 GL Globe Valve B2 2 PC Ball Valve
 YS Y-Strainer B3 3 PC Ball Valve
 SC Swing Check Valve BL 3 Way Ball Valve L Port
 VC Vertical Check Valve BT 3 Way Ball Valve T Port
 WC Wafer Check Valve BMF Male x Female Mini Ball Valve
 DD Dual Disk BU Butterfly Valve

IV Connection Type
 SW S/W G BSPP
 BW B/W N NPT
 R BSPT F Flange End
 W Wafer L Lug

V Pressure
 200 200 PSI 2000 2000 PSI
 300 300 PSI 150 ANSI 150# Flange Standard
 600 600 PSI 10K JIS 10K Flange Standard
 800 800 PSI PN16 PN 16 Flange Standard
 1000 1000 PSI

For Inch OD & Inch NB Sizes

VI Size								
Size	1/8"	1/4"	5/16"	3/8"	1/2"	5/8"	3/4"	1"
Code	02	04	05	06	08	10	12	16
Size	1 1/4"	1 1/2"	2"	2 1/2"	3"	4"	5"	6"
Code	20	24	32	40	48	64	80	96

VII Coating
 (None) No Additional Coating
 NI Nickel Plating

Dimension List

NPS (DN)	Connection	Impa Code	Part No	D	D1	D2	B	L	H	W	N- M	F	Weight (Kg)
1/2"	Flange End	-	VL-S-B2-F-150-08	89	60.5	35	11.2	108	73	130	4-16	1.6	-
3/4"	Flange End	-	VL-S-B2-F-150-12	98	70	43	11.2	117	76	130	4-16	1.6	1.95
1"	Flange End	-	VL-S-B2-F-150-16	108	79	50	12.7	127	86	160	4-16	1.6	2.90
1 1/4"	Flange End	-	VL-S-B2-F-150-20	117	89	64	12.7	140	91	160	4-16	1.6	3.33
1 1/2"	Flange End	-	VL-S-B2-F-150-24	127	98.6	73	14.3	165	119	200	4-16	1.6	5.22
2"	Flange End	-	VL-S-B2-F-150-32	152	120.7	92	19	178	127	200	4-19	1.6	7.86
2 1/2"	Flange End	-	VL-S-B2-F-150-40	178	139.7	105	22	190	136	200	4-18	1.6	10.38
3"	Flange End	-	VL-S-B2-F-150-48	190	152.4	127	23.9	203	164	325	8-18	1.6	15.55
4"	Flange End	-	VL-S-B2-F-150-64	228	190.5	157	23.9	229	218	325	8-18	1.6	24.00
5"	Flange End	-	VL-S-B2-F-150-80	253	220	180	22	354	-	-	8-22	2	45.35
6"	Flange End	-	VL-S-B2-F-150-96	280	244	215	24	390	-	-	8-22	2	61.45

Part Number Reference

Impa Code	Part No	Description
-	VL-S-B2-F-150-08	1/2" 150# SS316 FLANGE END BALL VALVE WITH ISO MOUNTING PAD, FIRE SAFE DESIGN
-	VL-S-B2-F-150-12	3/4" 150# SS316 FLANGE END BALL VALVE WITH ISO MOUNTING PAD, FIRE SAFE DESIGN
-	VL-S-B2-F-150-16	1" 150# SS316 FLANGE END BALL VALVE WITH ISO MOUNTING PAD, FIRE SAFE DESIGN
-	VL-S-B2-F-150-20	1 1/4" 150# SS316 FLANGE END BALL VALVE WITH ISO MOUNTING PAD, FIRE SAFE DESIGN
-	VL-S-B2-F-150-24	1 1/2" 150# SS316 FLANGE END BALL VALVE WITH ISO MOUNTING PAD, FIRE SAFE DESIGN
-	VL-S-B2-F-150-32	2" 150# SS316 FLANGE END BALL VALVE WITH ISO MOUNTING PAD, FIRE SAFE DESIGN
-	VL-S-B2-F-150-40	2 1/2" 150# SS316 FLANGE END BALL VALVE WITH ISO MOUNTING PAD, FIRE SAFE DESIGN
-	VL-S-B2-F-150-48	3" 150# SS316 FLANGE END BALL VALVE WITH ISO MOUNTING PAD, FIRE SAFE DESIGN
-	VL-S-B2-F-150-64	4" 150# SS316 FLANGE END BALL VALVE WITH ISO MOUNTING PAD, FIRE SAFE DESIGN
-	VL-S-B2-F-150-80	5" 150# SS316 FLANGE END BALL VALVE WITH ISO MOUNTING PAD, FIRE SAFE DESIGN
-	VL-S-B2-F-150-96	6" 150# SS316 FLANGE END BALL VALVE WITH ISO MOUNTING PAD, FIRE SAFE DESIGN