



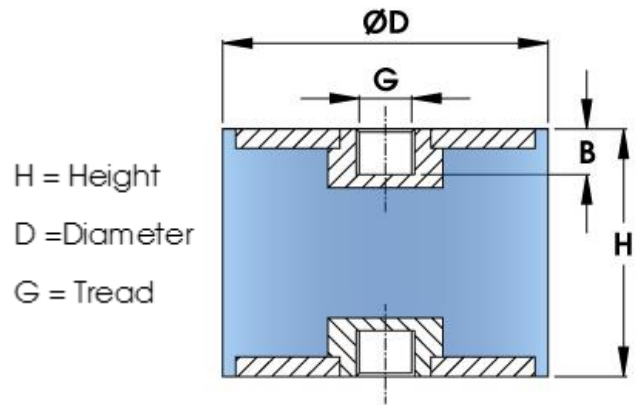
ENGLISH

Female/Female Cylindrical Bobbins

Cylindrical Bobbin mounts are simple and cost-effective vibration isolators that can be used in either compression and/or shear. Made from natural rubber and zinc plated mild steel.

Applications:

- Static generator engines
- Compressors
- Motors



Rs Part Number	Hardness (ShA)	D (mm)	H (mm)	G (mm)	Max Compression Load (kg)	Max Shear Load (kg)
1961353	35	6	13	M3	0.4	0.07
1961354	50	20	30	M6	9.2	3.5
1961355	60	50	50	M10	167.9	63.5