

## Datasheet

# Anti Surge T HBC Fuse, 8A, 5x20mm

RS Stock number [563-598](#)

UDA

UDA-A



## Specifications:

### Materials

Ceramic body/nickel plated brass caps

Lead wire: Tin-lead plated copper, Diameter  $\varnothing 0.8\text{mm}$ .

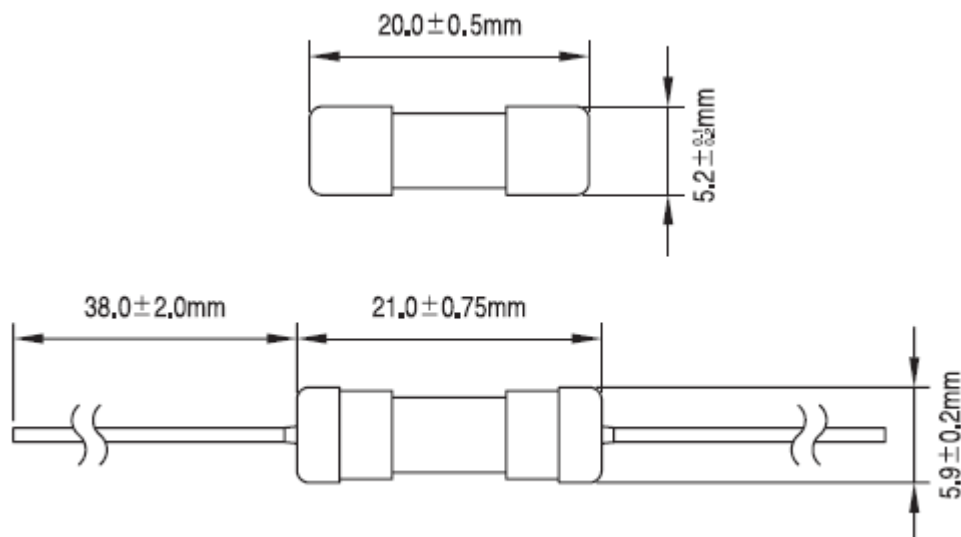
### Interrupting Ratings

1500 amperes at 250V ac

### Operating Temperature

-55°C to + 125°C

**Drawing (mm):**



**Electrical Characteristic:**

Rated Current	1.5In		2.1In		2.75 In		4 In		10 In	
	MIN	MAX	MIN	MAX	MIN	MAX	MIN	MAX	MIN	MAX
500mA ~800mA	60 min	30 min	250 ms	80 sec	50 ms	5 sec	5 ms	150 ms		
1A~3.15A	60 min	30 min	750 ms	80 sec	95 ms	5 sec	10 ms	150 ms		
4A~6.3A	60 min	30 min	750 ms	80 sec	150 ms	5 sec	10 ms	150 ms		
8A~12A	30 min	30 min	750 ms	80 sec	150 ms	5 sec	10 ms	150 ms		